

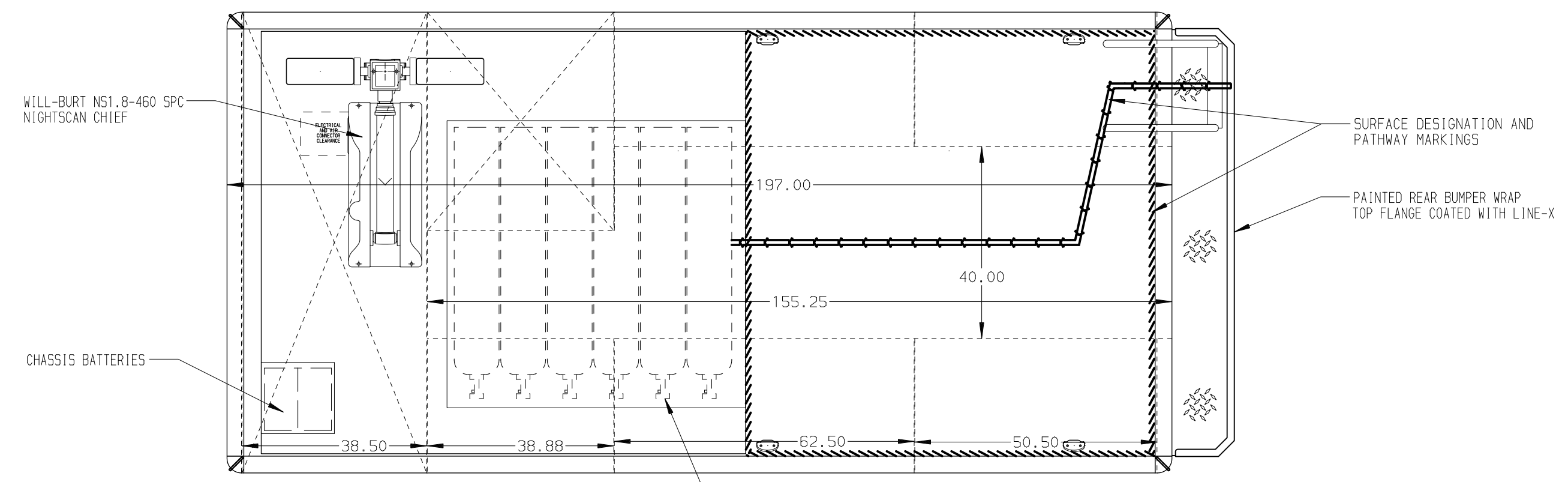
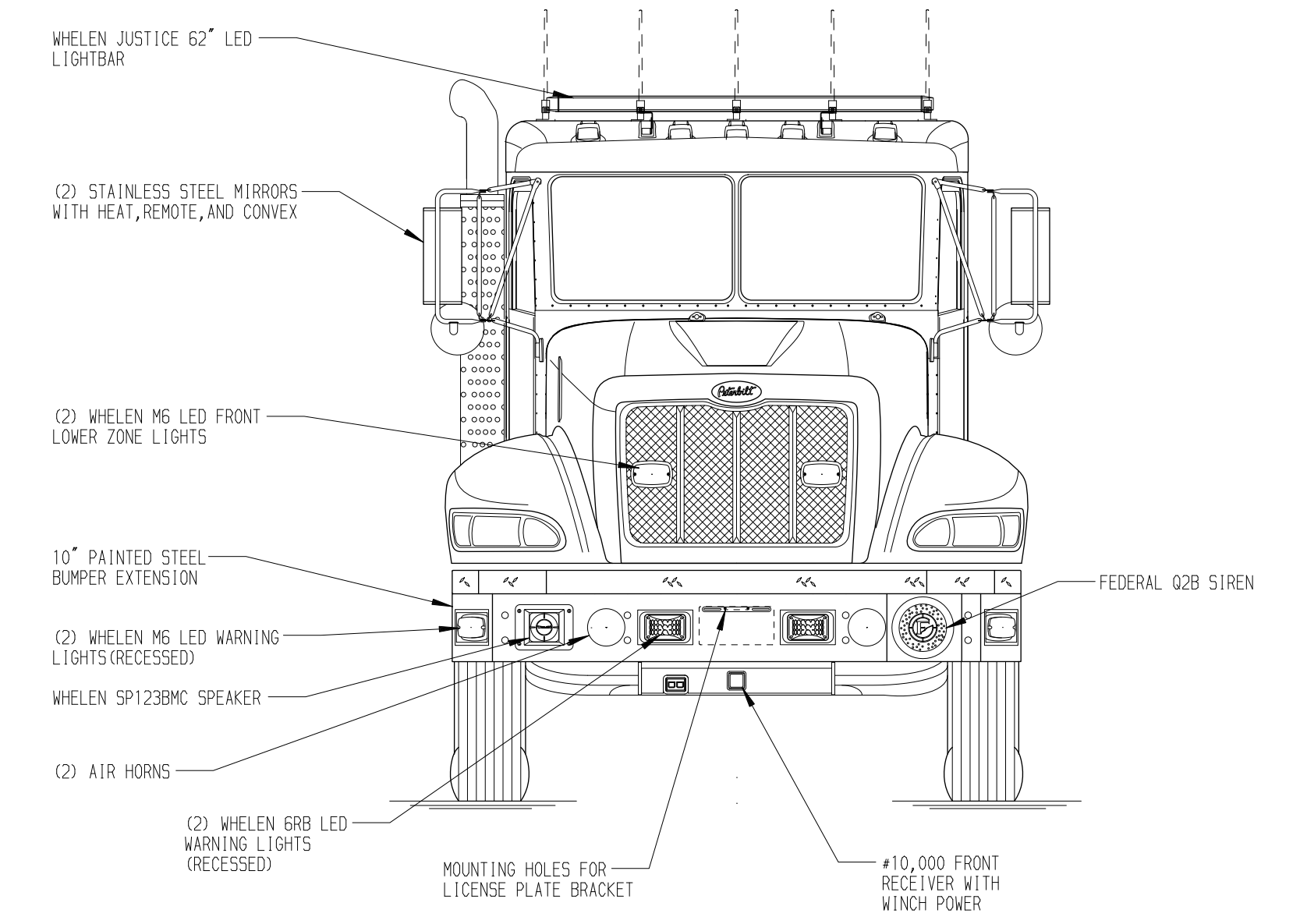
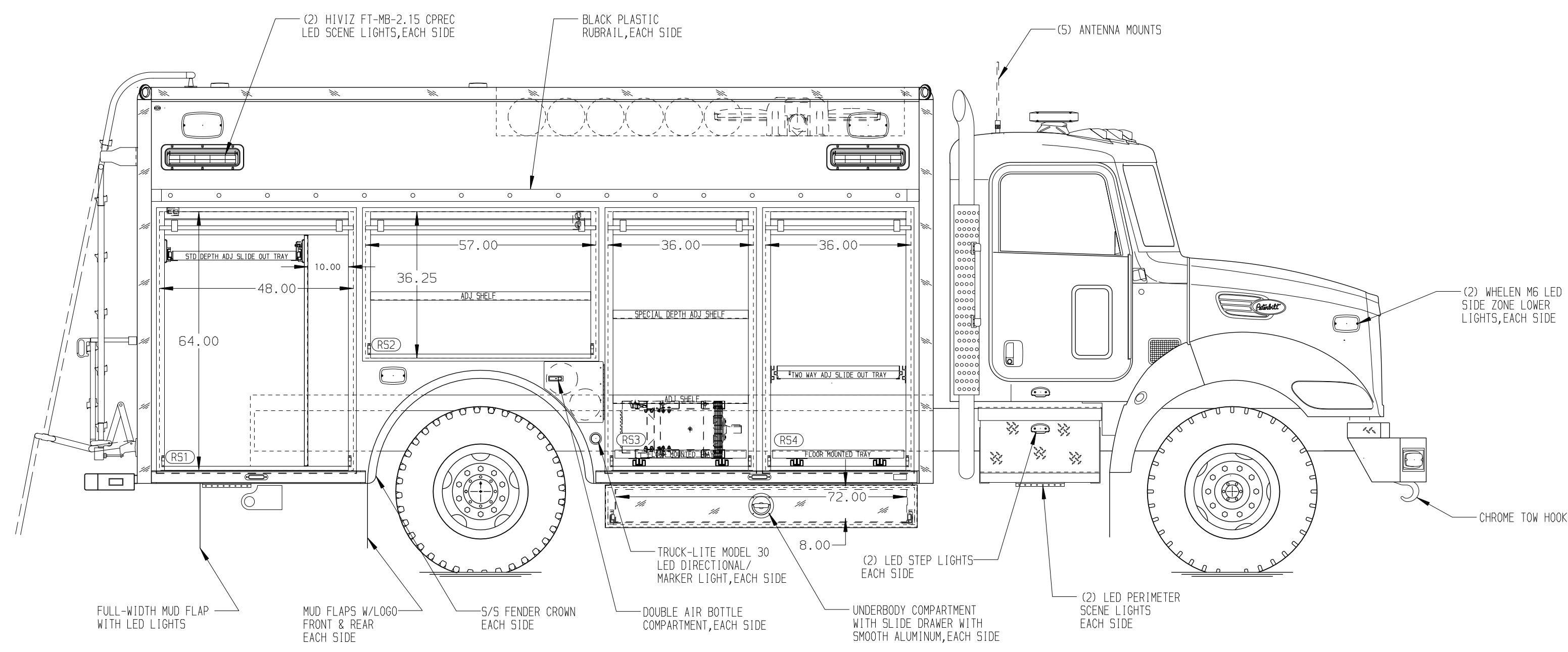
**RIGHT SIDE COMPARTMENTS CONTAIN THE FOLLOWING:**

COMPARTMENT RS1 CONTAINS:  
 - (1) VERTICAL COMPARTMENT DIVIDER  
 - (1) STD DEPTH ADJ SLIDE OUT TRAY  
 - (1) 12V WINCH POWER PLUG

COMPARTMENT RS2 CONTAINS:  
 - (1) STD DEPTH ADJ SHELF  
 - (1) 20A, 120V DUPLEX RECEPTACLE

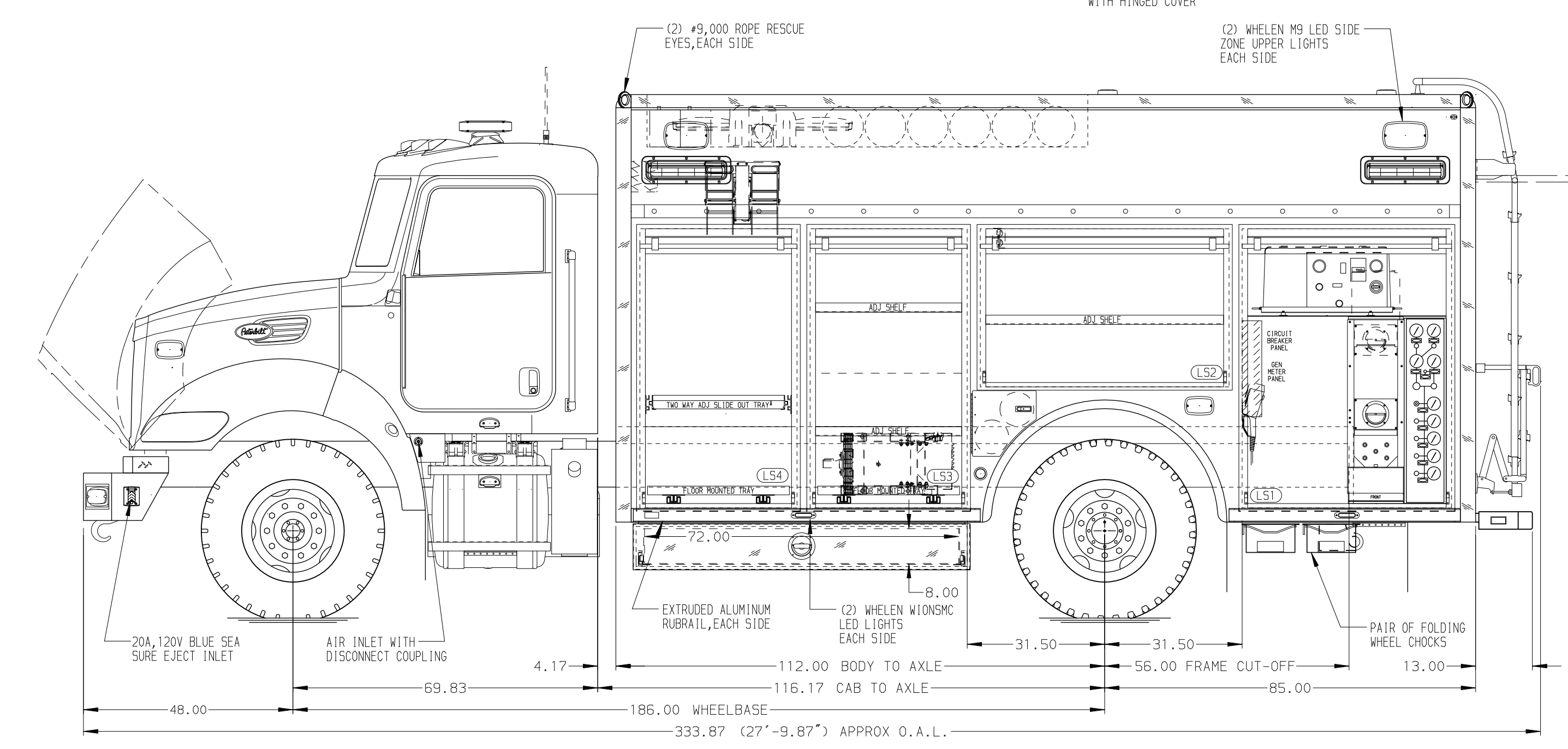
COMPARTMENT RS3 CONTAINS:  
 - (1) STD DEPTH ADJ SHELF  
 - (1) SPECIAL DEPTH ADJ SHELF  
 - (1) STD DEPTH FLOOR MOUNTED TRAY

COMPARTMENT RS4 CONTAINS:  
 - (1) 2-WAY ADJ SLIDE OUT TRAY  
 - (1) STD DEPTH FLOOR MOUNTED TRAY



**REAR COMPARTMENT CONTAINS THE FOLLOWING:**

COMPARTMENT B1 CONTAINS:  
 - (1) RACK FOR THE FOLLOWING:  
 - FIN FORM BOARDS  
 - (2) MISCELLANEOUS STORAGE TROUGHS  
 - (10) 2"x6"x12" LONG LUMBER  
 - (12) 2"x4"x12" LONG LUMBER  
 - (8) 2"x8"x12" LONG LUMBER  
 - (10) 4"x4"x12" LONG LUMBER  
 - (4) 5"x5"x10" LONG LUMBER  
 - (1) TROUGH FOR CUT TABLE  
 - (1) TROUGH FOR WHALERS  
 - (1) HORIZONTAL FLOOR EXTENSION



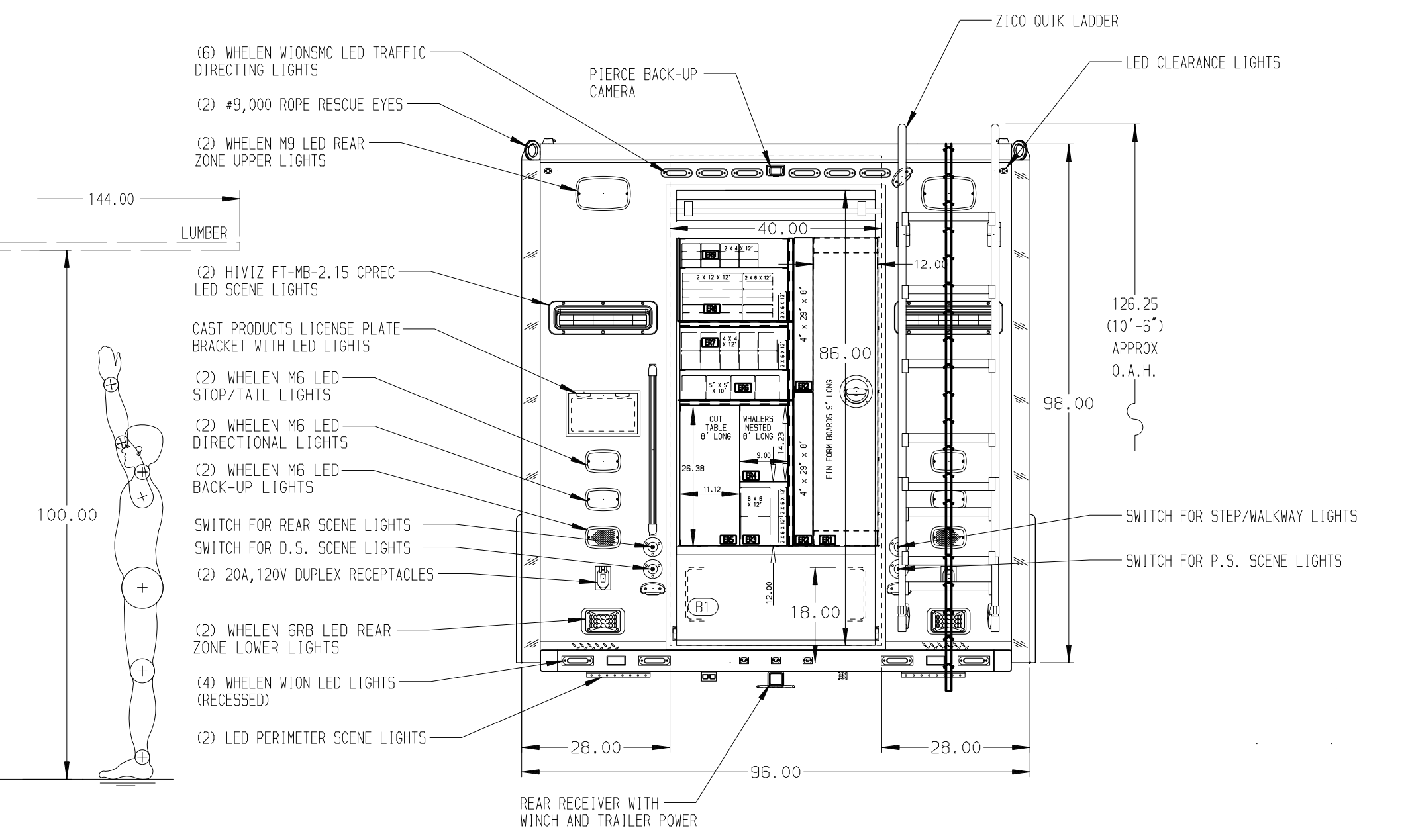
**LEFT SIDE COMPARTMENTS CONTAIN THE FOLLOWING:**

COMPARTMENT LS1 CONTAINS:  
 - (1) CIRCUIT BREAKER PANEL  
 - (1) GENERATOR METER PANEL  
 - (1) NIGHTSCAN CONTROLLER  
 - (1) CASCADE SYSTEM CONTROL PANEL  
 - (1) "SPACE SAVER" 2-BOTTLE FILL ENCLOSURE  
 - (1) BREATHING AIR BOOSTER PUMP  
 - (1) ADJUSTABLE FLAT TOP MOUNTING PLATE

COMPARTMENT LS2 CONTAINS:  
 - (1) STD DEPTH ADJ SHELF  
 - (1) 20A, 120V DUPLEX RECEPTACLE

COMPARTMENT LS3 CONTAINS:  
 - (2) STD DEPTH ADJ SHELVES  
 - (1) STD DEPTH FLOOR MOUNTED TRAY

COMPARTMENT LS4 CONTAINS:  
 - (1) PROGRESSIVE DYNAMICS CHARGER  
 - (1) 2-WAY ADJ SLIDE OUT TRAY  
 - (1) STD DEPTH FLOOR MOUNTED TRAY  
 - MOUNTING PROVISIONS FOR CUSTOMER INSTALLED CMW 6011 REEL



**NOTE**  
 DIMENSIONS SHOWN ARE APPROXIMATE AND ARE SUBJECT TO MINOR DEVIATIONS AS MAY OCCUR OR BE NECESSARY IN CONSTRUCTION. MINOR DETAILS NOT SHOWN.

**NOTES:**  
 1. ONAN 15kW SINGLE PHASE PTO DRIVEN GENERATOR LOCATED BETWEEN THE FRAME RAILS  
 2. BRUSHED S/S SCUFFPLATES ON FRONT, REAR AND ROOF CORNERS OF THE BODY  
 3. AMOR DUAL LED LIGHTS IN ALL BODY COMPARTMENT

REV	DATE	BY	CH	MODEL
1	14DEC20	DHE	AZU	CHASSIS DATA
2	29OCT20	DHE	AZU	MAKE
3	23OCT20	DHE	AZU	PETERBILT
4	28AUG20	PDE	CDK	MODEL
337				

		JOB NO.	34991
		SCALE	DATE
TITLE	HEAVY DUTY RESCUE NON-WALKIN	DRAWN BY	DHE 13AUG20
FOR	THE WOODLANDS TOWNSHIP THE WOODLANDS, TX	CHECKED BY	AZU 14AUG20
DWG NO.	34991AD	SHEET SIZE	SHEET NO.
			D 1 OF 1