

PUMPER BODY

Medium Stainless Steel 2nd Gen Pumper

CHASSIS

Enforcer Chassis

CHASSIS AXLE, FRONT, CUSTOM

19,500 Lb TAK-4 Axle

AXLE, REAR

27,000 Lb Meritor Axle

ENGINE

400 HP Cummins L9 Engine

TRANSMISSION

Allison 5th Gen, 3000 EVS P

BUMPER

22" Extended Painted Steel

CAB

7000 Enforcer Cab

BODY WATER TANK

750 Gallon Poly Water Tank

COMPT, PUMPER, REAR

37.75" FF RollUp Rear Compt

COMPT, PUMPER, LEFT SIDE

152" RollUp Full Height Front & Rear FDLR

COMPT, PUMPER, RIGHT SIDE

152" RollUp Full Height Front & Rear FDLR

FIRE SUPPRESSION PUMPHOUSE

52" Control Zone Side Mount

PUMP

1500 GPM Waterous CSU

CROSSLAYS, 1.50"

(3) 1.50" Special Capacity

CROSSLAYS, 2.50"

2.50" Crosslay Not Required

SPEEDLAYS

Speedlays Not Required

GENERATOR

Generator Not Required

Foam System

Husky 3 Single Agent Foam System

Foam Cell

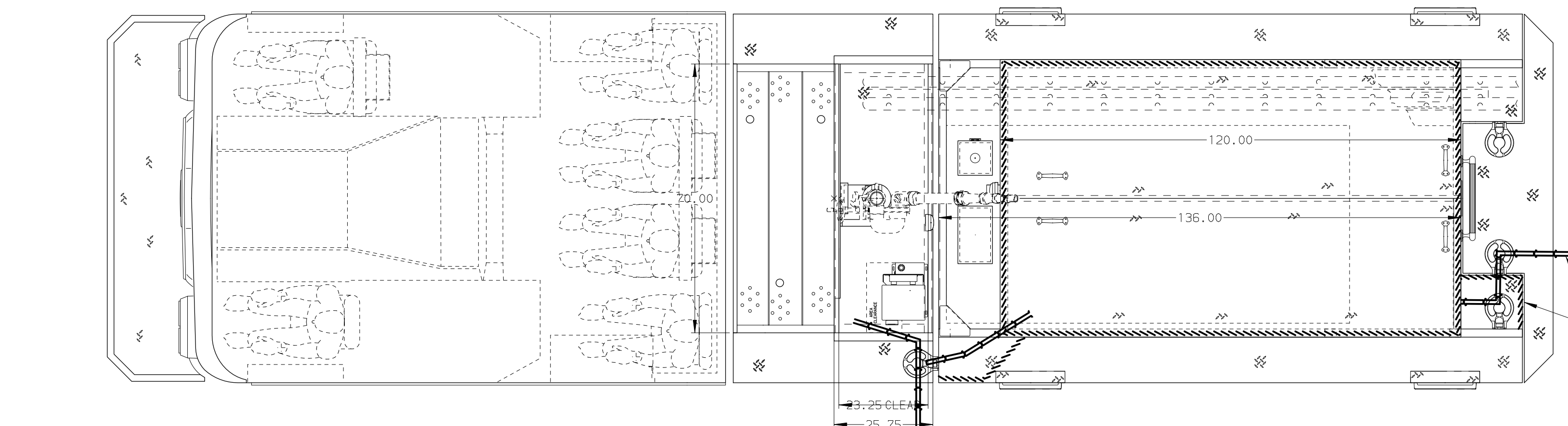
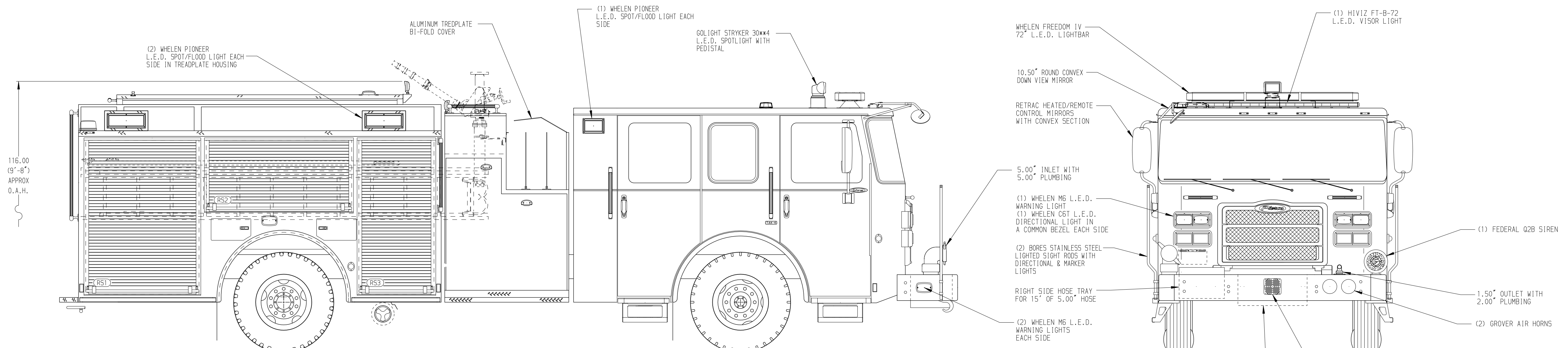
20 Gallon Foam Cell, Not Reduced Water

Side Roll and Frontal Impact Protection

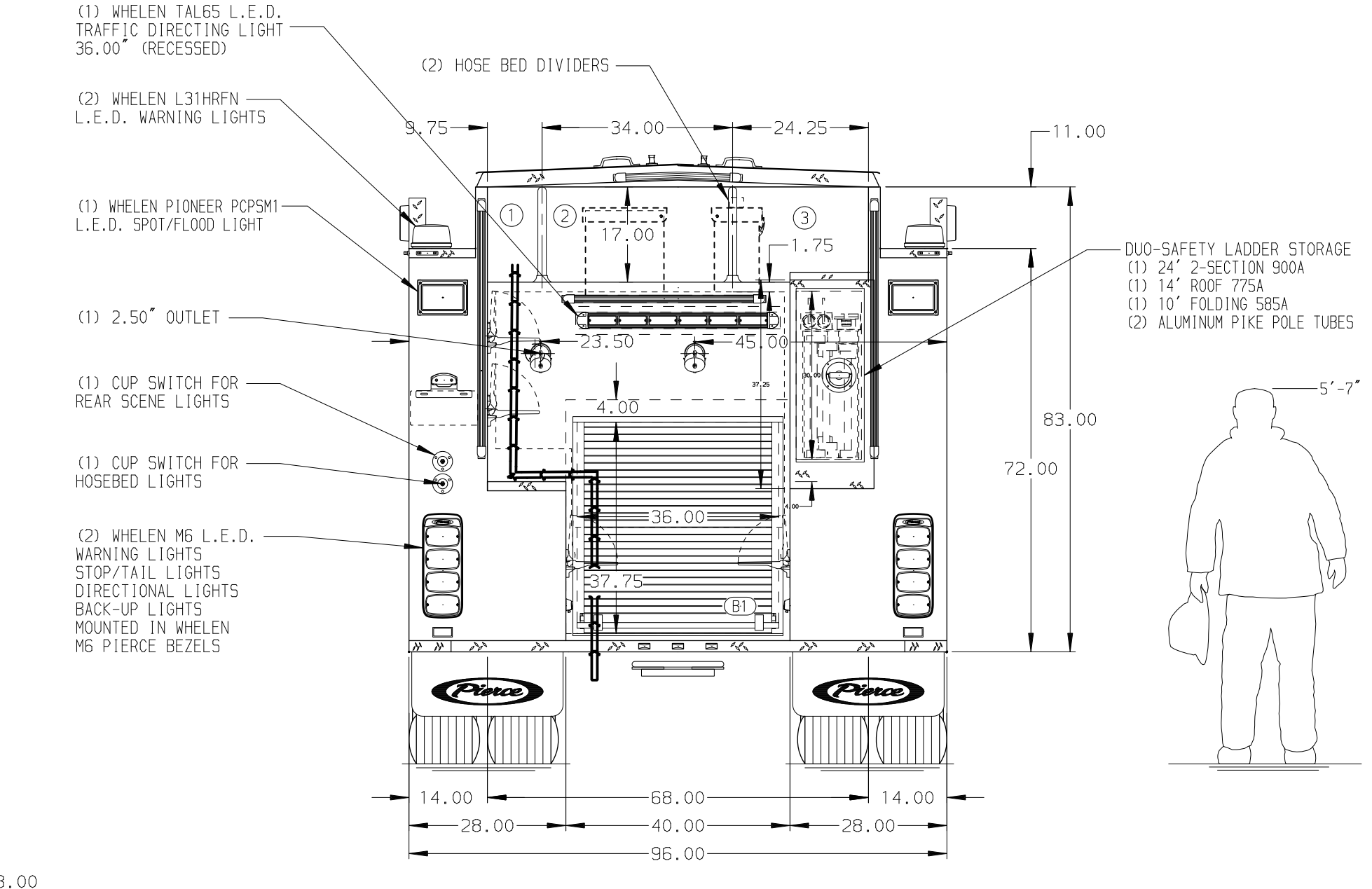
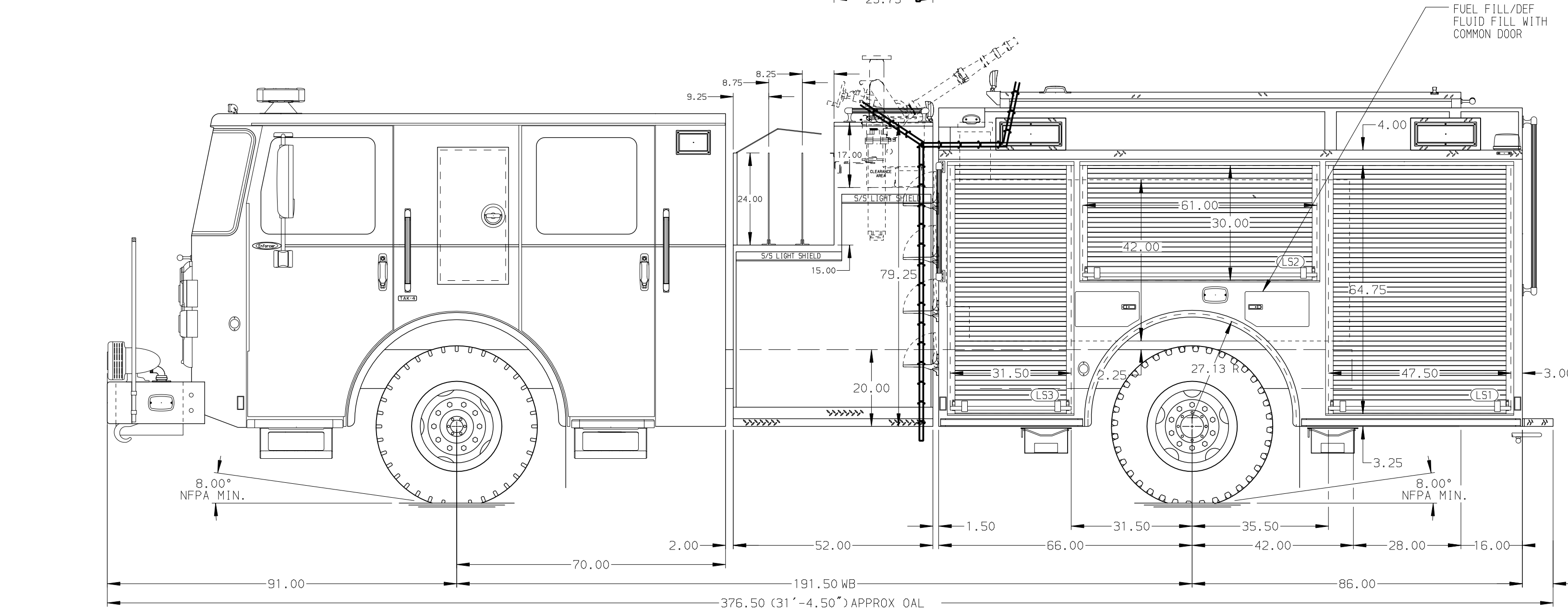
NOTE

DIMENSIONS SHOWN ARE APPROXIMATE AND ARE SUBJECT TO MINOR DEVIATIONS AS MAY OCCUR OR BE NECESSARY IN CONSTRUCTION. MINOR DETAILS NOT SHOWN.

1. SHORELINE RECEPTACLE WITH KUSSMALL SUPER AUTO-EJECT LOCATED ON DRIVER SIDE STEP WELL
2. AIR INLET WITH DISCONNECT COUPLING IN THE DRIVER SIDE STEPWELL
3. BATTERY CHARGER LOCATED IN COMPARTMENT PER SHOP ORDER
4. BATTERY CHARGE INDICATOR LOCATED ON THE DRIVER SIDE SEAT RISER
5. FOUR ADJUSTABLE SHELVES IN COMPARTMENTS PER SHOP ORDER
6. THREE FLOOR MOUNTED SLIDE-OUT TRAYS IN COMPARTMENT PER SHOP ORDER
7. ONE SWING OUT TOOLBOARD IN COMPARTMENT PER SHOP ORDER
8. AIR OUTLET WITH SHUT OFF VALVE LOCATED DS PUMP PANEL
9. PAC TRAC IN COMPARTMENT PER SHOP ORDER



HOSEBED CAPACITY	
BED 1	250' OF 2.50" D.J. POLY HOSE
BED 2	1000' OF 4.00" D.J. POLY HOSE
BED 3	800' OF 2.50" D.J. POLY HOSE



		JOB NO.	34945
		SCALE	DATE
TITLE	Pierce Pumper Approval Drawing	DRAWN BY	MMF
FOR	Brockton Fire Department	CHECKED BY	NPE
DWG NO.	34945AD	SHEET SIZE	SHEET NO.
ENFORCER		D	1 OF 1

REV	DATE	BY	CH	ENFORCER
1	18MAY20	MMF	CW1	PIERCE
2	09APR20	MMF	CW1	MODEL