

**PUMPER BODY**  
Medium Aluminum 2nd Gen Pumper

**CHASSIS**  
Enforcer Chassis

**CHASSIS AXLE, FRONT, CUSTOM**  
18,000 Lb Dana Axle

**AXLE, REAR**  
24,000 Lb Dana Axle

**ENGINE**  
450 HP Cummins L9 Engine

**TRANSMISSION**  
Allison 5th Gen, 3000 EVS P

**BUMPER**  
19" Extended Painted Steel

**CAB**  
6010 Enforcer Cab

**BODY WATER TANK**  
750 Gallon Poly Water Tank

**COMPT, PUMPER, REAR**  
37.75" FF RollUp Rear Compt

**COMPT, PUMPER, LEFT SIDE**  
152" RollUp Full Height & Depth Front & Rear

**COMPT, PUMPER, RIGHT SIDE**  
152" RollUp Full Height Front & Rear FDLER

**FIRE SUPPRESSION PUMPHOUSE**  
48" Control Zone Top Mount

**PUMP**  
1500 GPM Waterous CSU

**CROSSLAYS, 1.50"**  
1.50" Crosslays Not Required

**CROSSLAYS, 2.50"**  
2.50" Crosslay Not Required

**SPEEDLAYS**  
(2) 1.50" W/Tray Std. Capacity

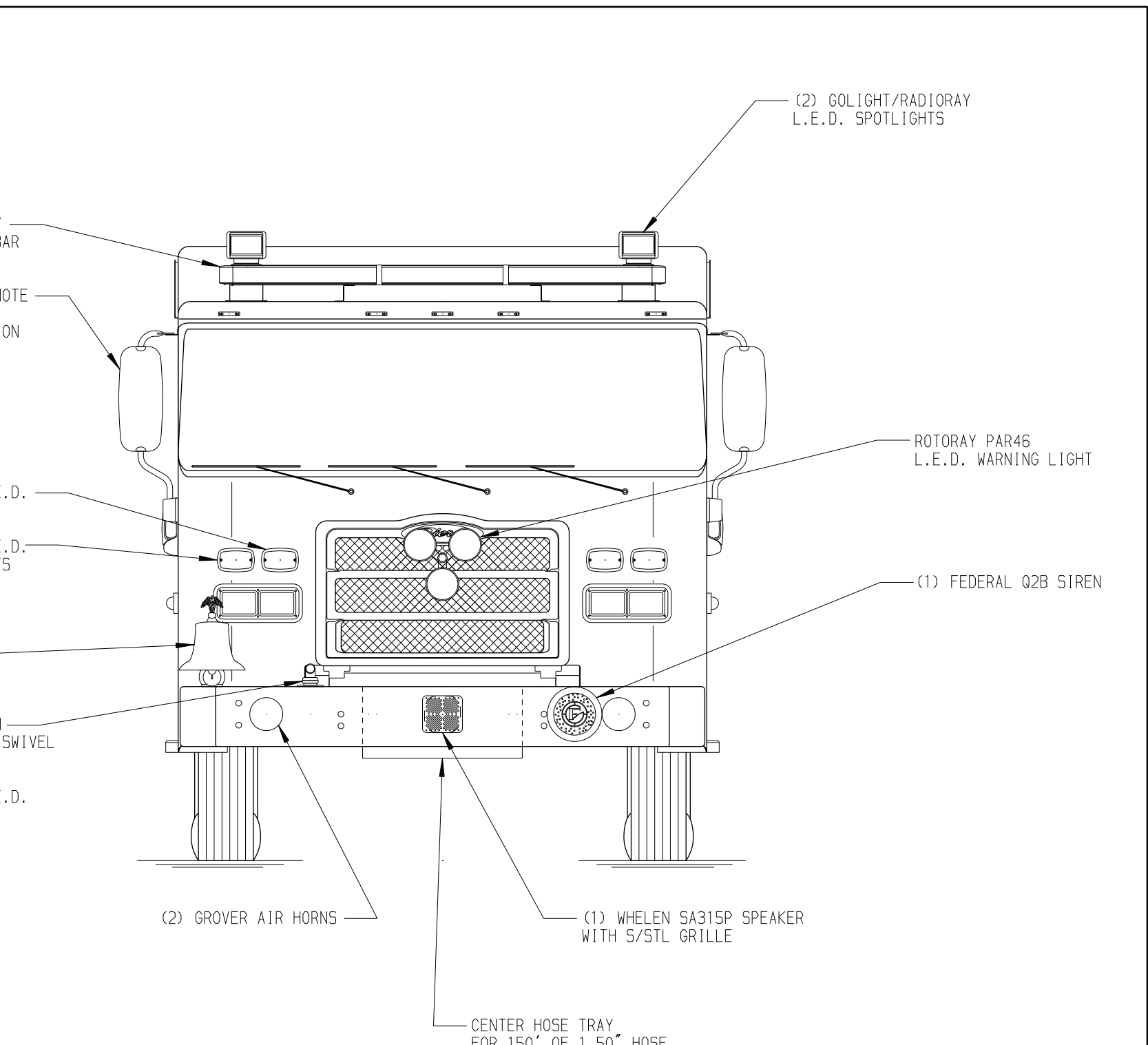
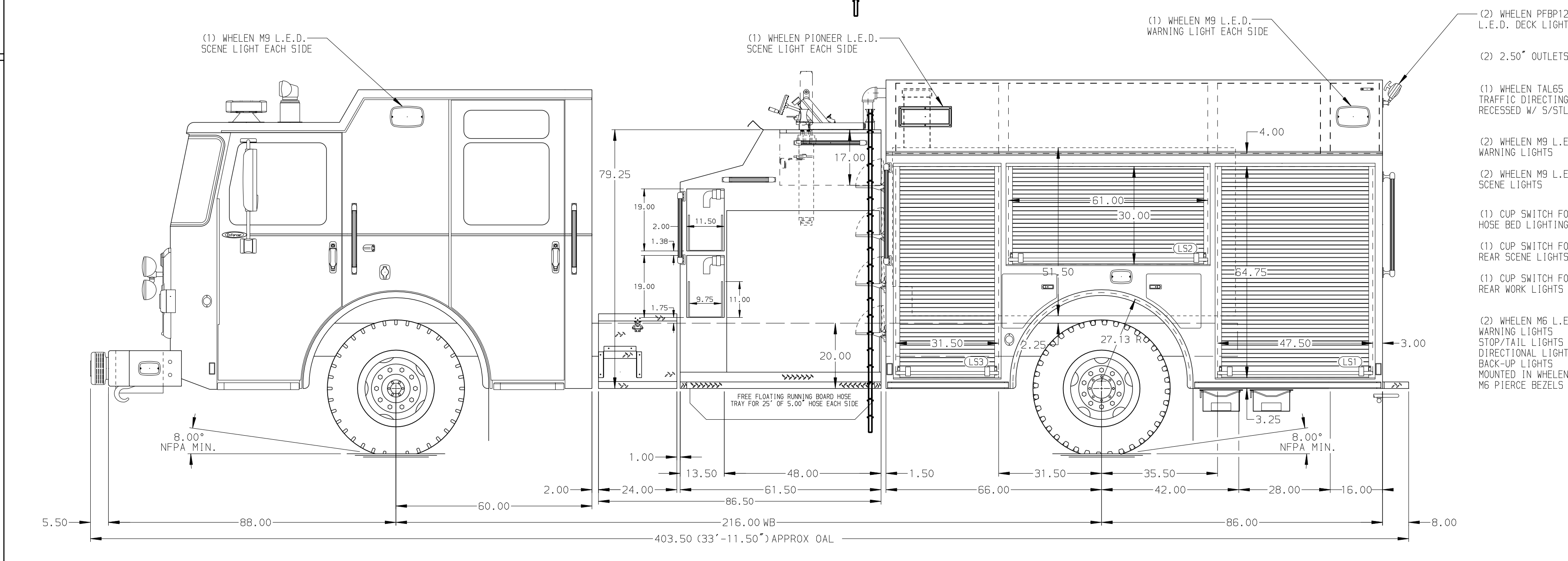
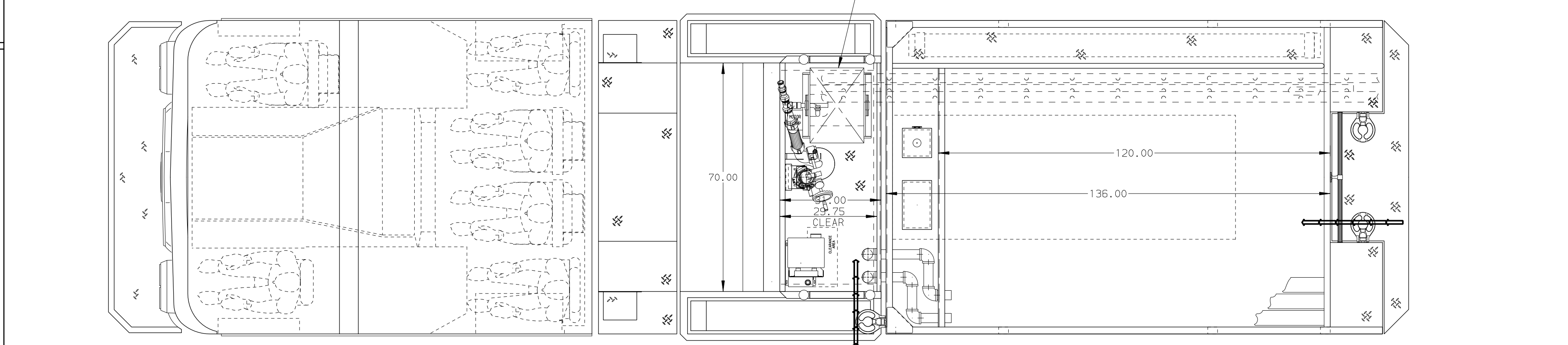
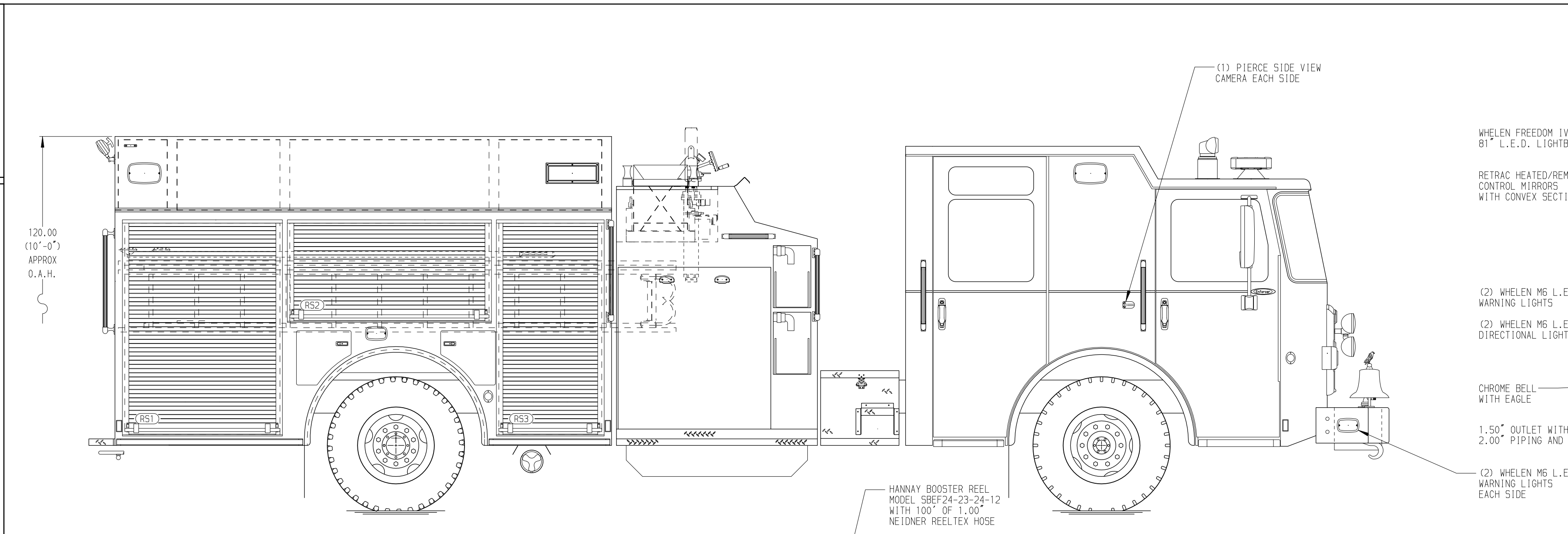
**GENERATOR**  
Generator Not Required

**Foam System**  
Husky 3 Single Agent Foam System

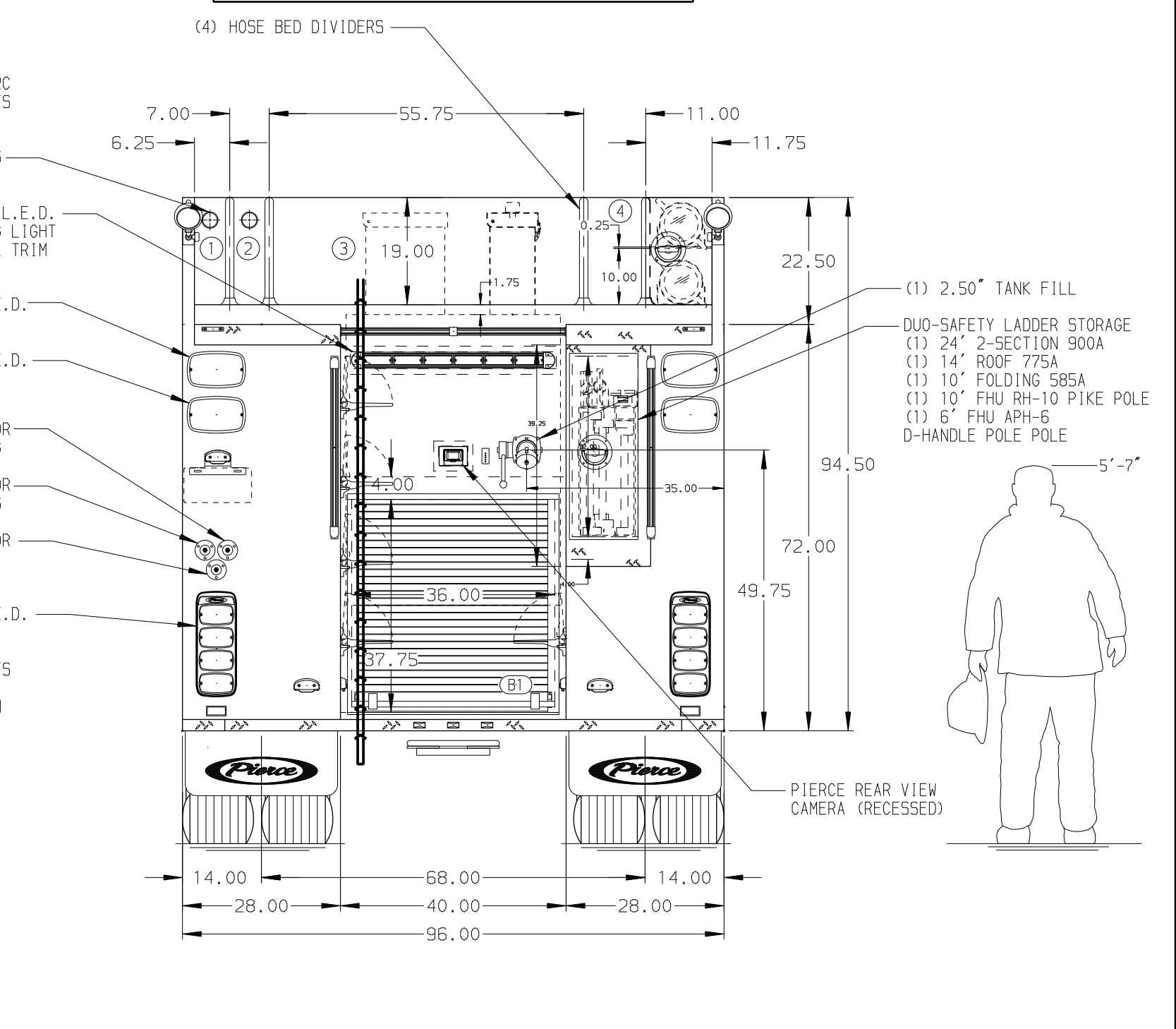
**Foam Cell**  
20 Gallon Foam Cell, Not Reduced Water

Side Roll and Frontal Impact Protection

**NOTE**  
DIMENSIONS SHOWN ARE APPROXIMATE AND ARE SUBJECT TO MINOR DEVIATIONS AS MAY OCCUR OR BE NECESSARY IN CONSTRUCTION. MINOR DETAILS NOT SHOWN.



HOSEBED CAPACITY	
<b>BED 1</b>	200' OF 2.50" D.J. POLY HOSE
<b>BED 2</b>	200' OF 2.50" D.J. POLY HOSE
<b>BED 3</b>	1050' OF 5.00" D.J. POLY HOSE
<b>BED 4</b>	400' OF 2.50" D.J. POLY HOSE



<b>Pierce MANUFACTURING INC.</b>		JOB NO.	34943
		SCALE	DATE
		1:24	
TITLE		Pierce Pumper Approval Drawing	DRAWN BY
FOR		Benton County FPD # 4	COL
CHECKED BY		NPE	7APR20
SHEET SIZE		D	SHEET NO.
1 OF 1		DWG NO.	
34943AD			

1. AUTOMATIC TIRE CHAINS
2. SHORELINE RECEPTACLE WITH KUSSMANN SUPER AUTO-EJECT LOCATED ON DRIVER SIDE OF THE CAB
3. AIR INLET WITH DISCONNECT COUPLING IN THE DRIVER SIDE STEPWELL
4. BATTERY CHARGER LOCATED IN COMPARTMENT PER SHOP ORDER
5. BATTERY CHARGE INDICATOR LOCATED ON THE DRIVER SIDE SEAT RISER
6. NINE ADJUSTABLE SHELVES LOCATED PER SHOP ORDER
7. TWO FLOOR MOUNTED SLIDE-OUT TRAYS LOCATED PER SHOP ORDER
8. ONE ADJUSTABLE SLIDE-OUT TRAY LOCATED PER SHOP ORDER
9. ONE SWING-OUT TOOLBOARD LOCATED PER SHOP ORDER
10. ALUMINUM PEGBOARD LOCATED PER SHOP ORDER
11. CIRCUIT BREAKER PANEL LOCATED PER SHOP ORDER
12. NINE 120V DUPLEX RECEPTACLES LOCATED PER SHOP ORDER
13. ONE TILTING/SLIDE-OUT TRAY LOCATED PER SHOP ORDER
14. ONE SLIDE-OUT TOOLBOARD LOCATED PER SHOP ORDER
15. ONE VERTICAL PARTITION LOCATED PER SHOP ORDER

REV	DATE	BY	CH	ENFORCER
13JUL20	COL	GKH	MAKE	
17JUN20	COL	GKH	PIERCE	
14MAY20	COL	GKH	MODEL	