

**RIGHT SIDE COMPARTMENTS CONTAIN THE FOLLOWING:**

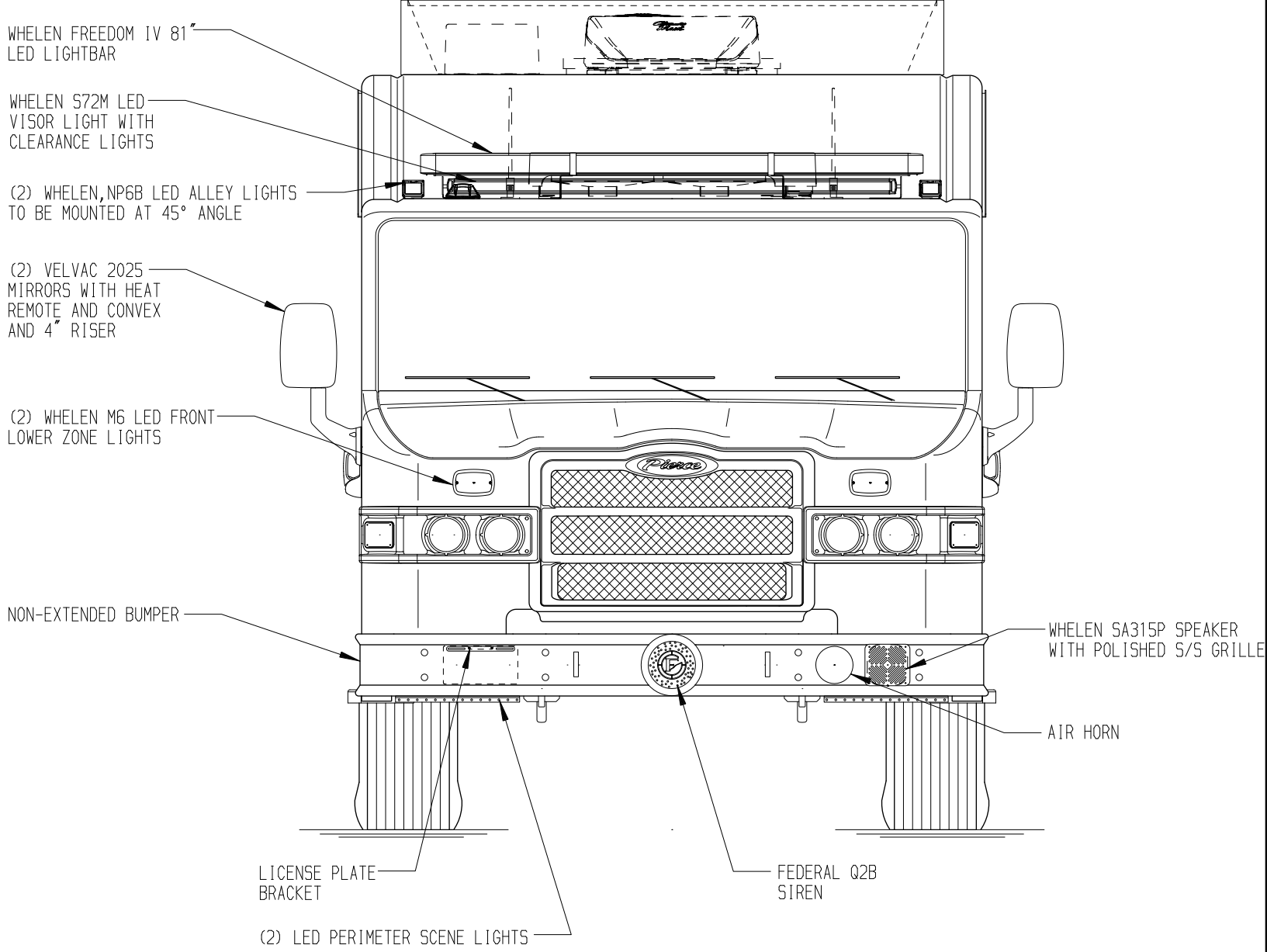
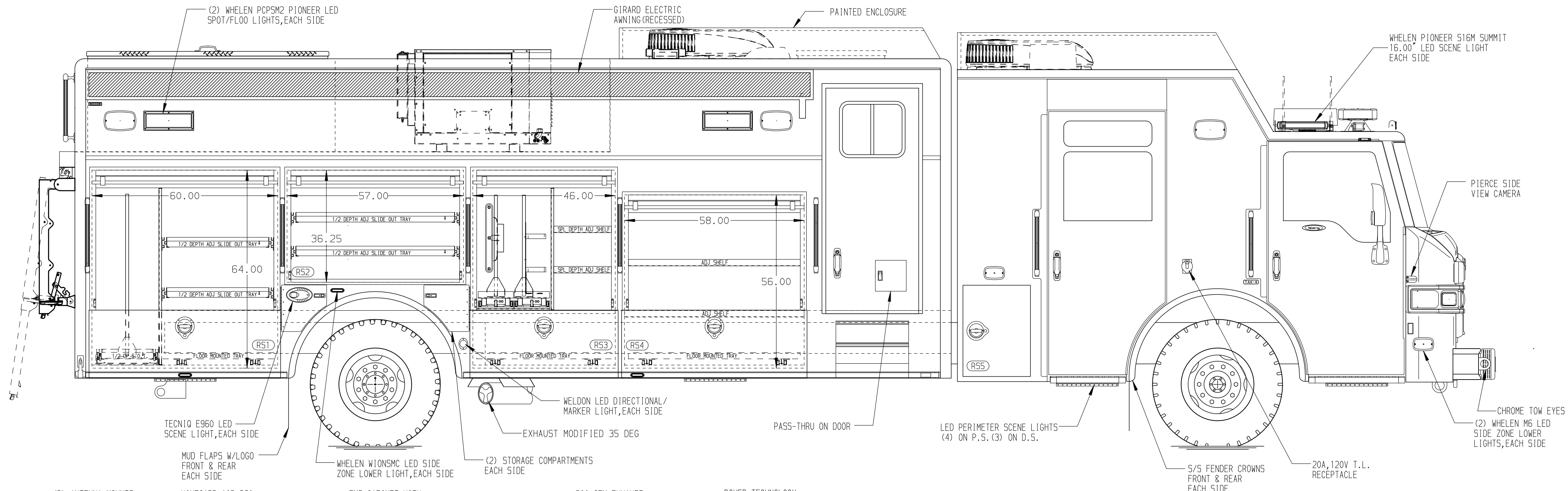
COMPARTMENT RS1 CONTAINS:  
 - (1) VERTICAL COMPARTMENT DIVIDER  
 - (2) 1/2 DEPTH ADJ SLIDE OUT TRAYS  
 - (1) 1/2 DEPTH FLOOR MTD SLIDE OUT TRAY WITH TOOLBOARD AND CLOSET RODS  
 - (1) STD DEPTH FLOOR MOUNTED TRAY  
 - (1) 15/20A, 120V DUPLEX RECEPTACLE

COMPARTMENT RS2 CONTAINS:  
 - (2) 1/2 DEPTH ADJ SLIDE OUT TRAYS  
 - (1) 15/20A, 120V DUPLEX RECEPTACLE

COMPARTMENT RS3 CONTAINS:  
 - (1) HORIZONTAL FLOOR EXTENSION  
 - (1) VERTICAL COMPARTMENT DIVIDER  
 - (2) SPECIAL DEPTH ADJ SHELVES  
 - (1) STD DEPTH FLOOR MOUNTED TRAY  
 - (2) 2-WAY SLIDEMASTER TRAYS WITH TOOLBOARDS  
 - (2) SCBA BRACKETS ON TOOLBOARD  
 - (1) LED MONITOR MTD ON TOOLBOARD

COMPARTMENT RS4 CONTAINS:  
 - (2) STD DEPTH ADJ SHELVES  
 - (1) STD DEPTH FLOOR MOUNTED TRAY  
 - WIRING FOR (2) HANDLIGHTS

COMPARTMENT RS5 CONTAINS:



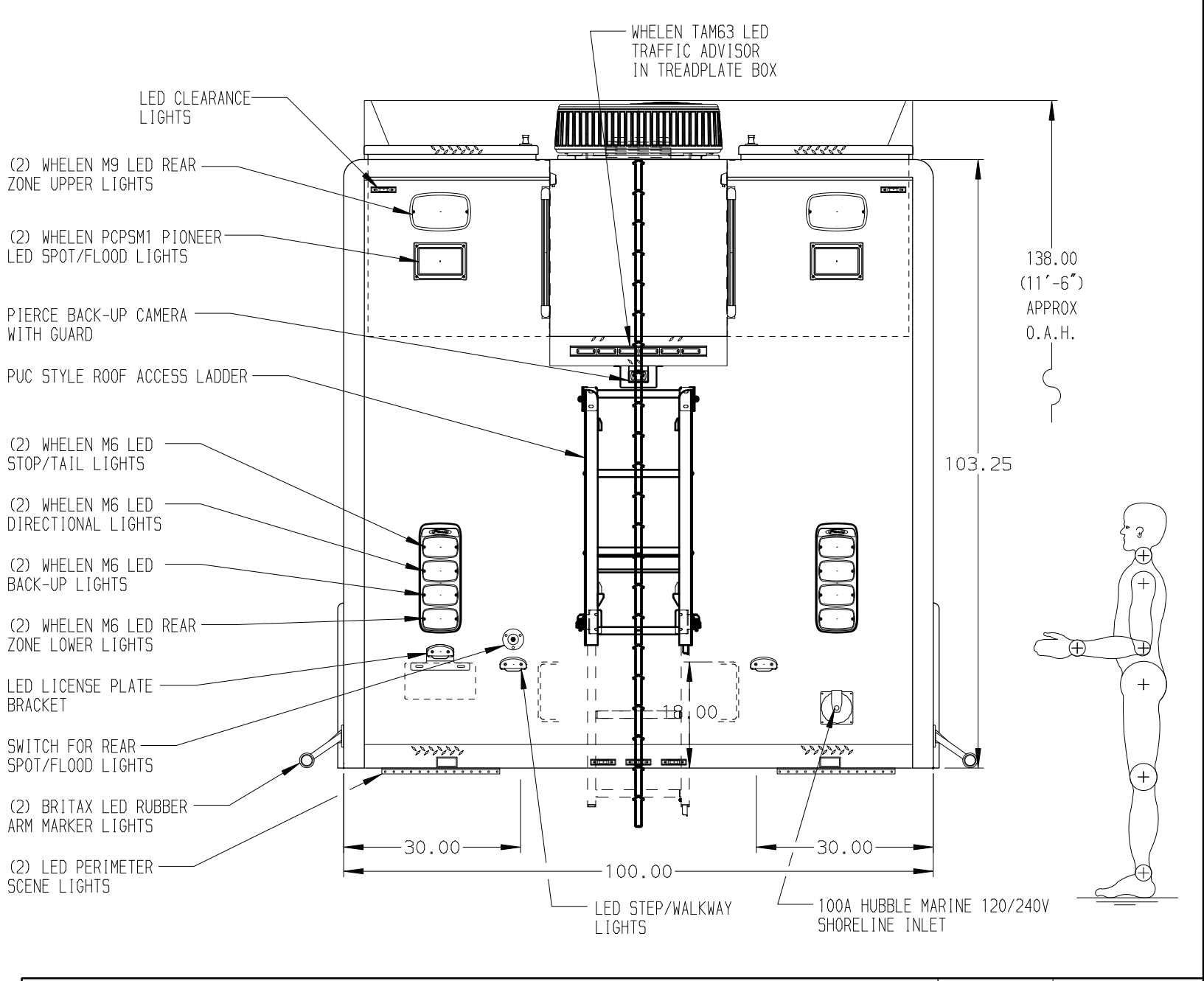
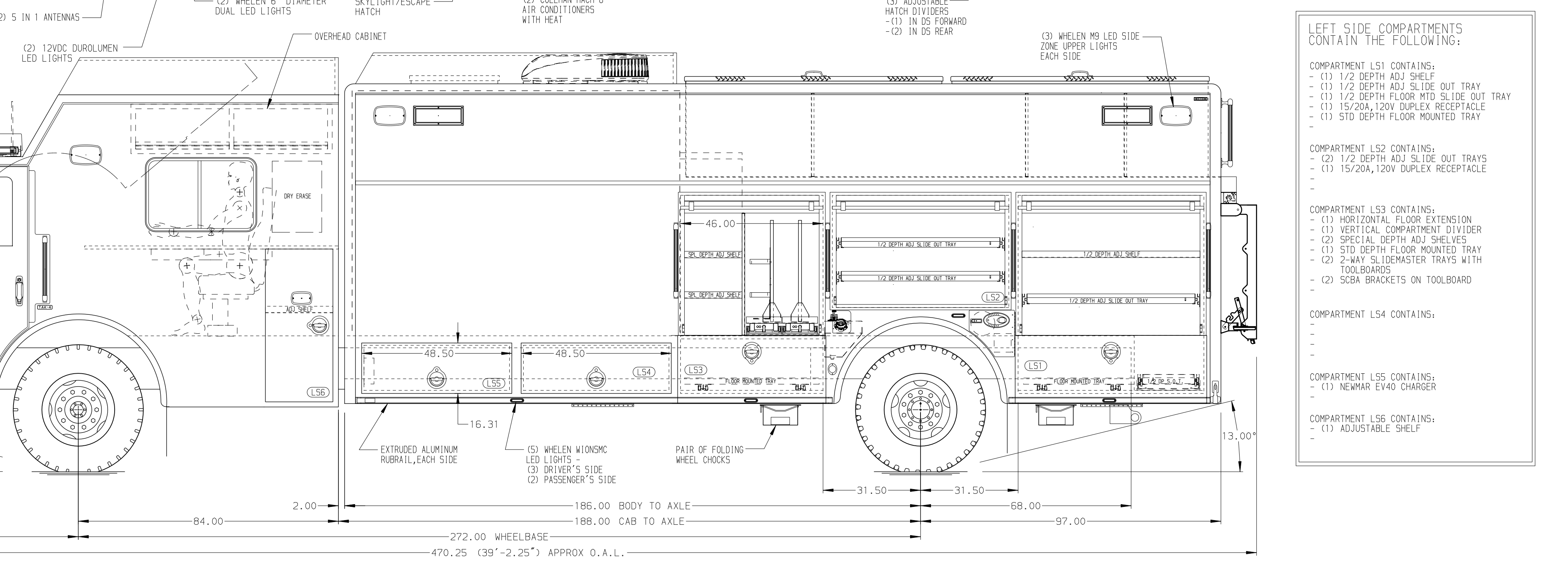
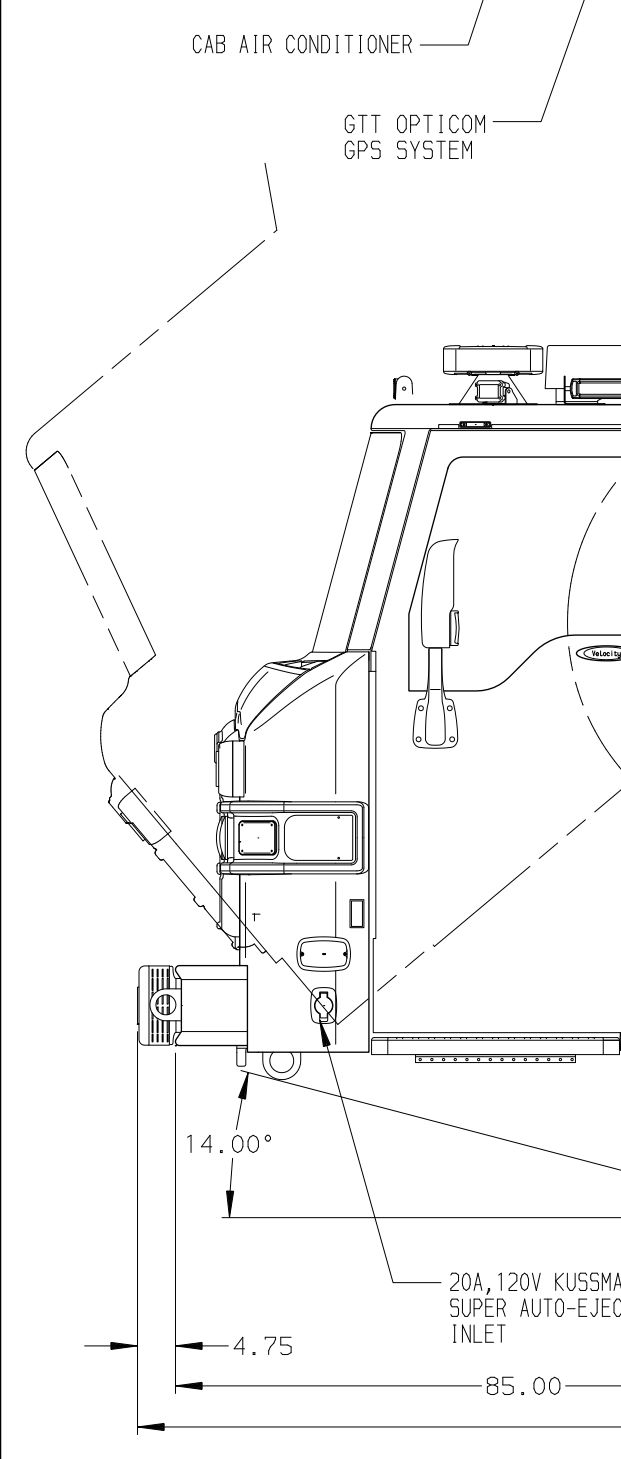
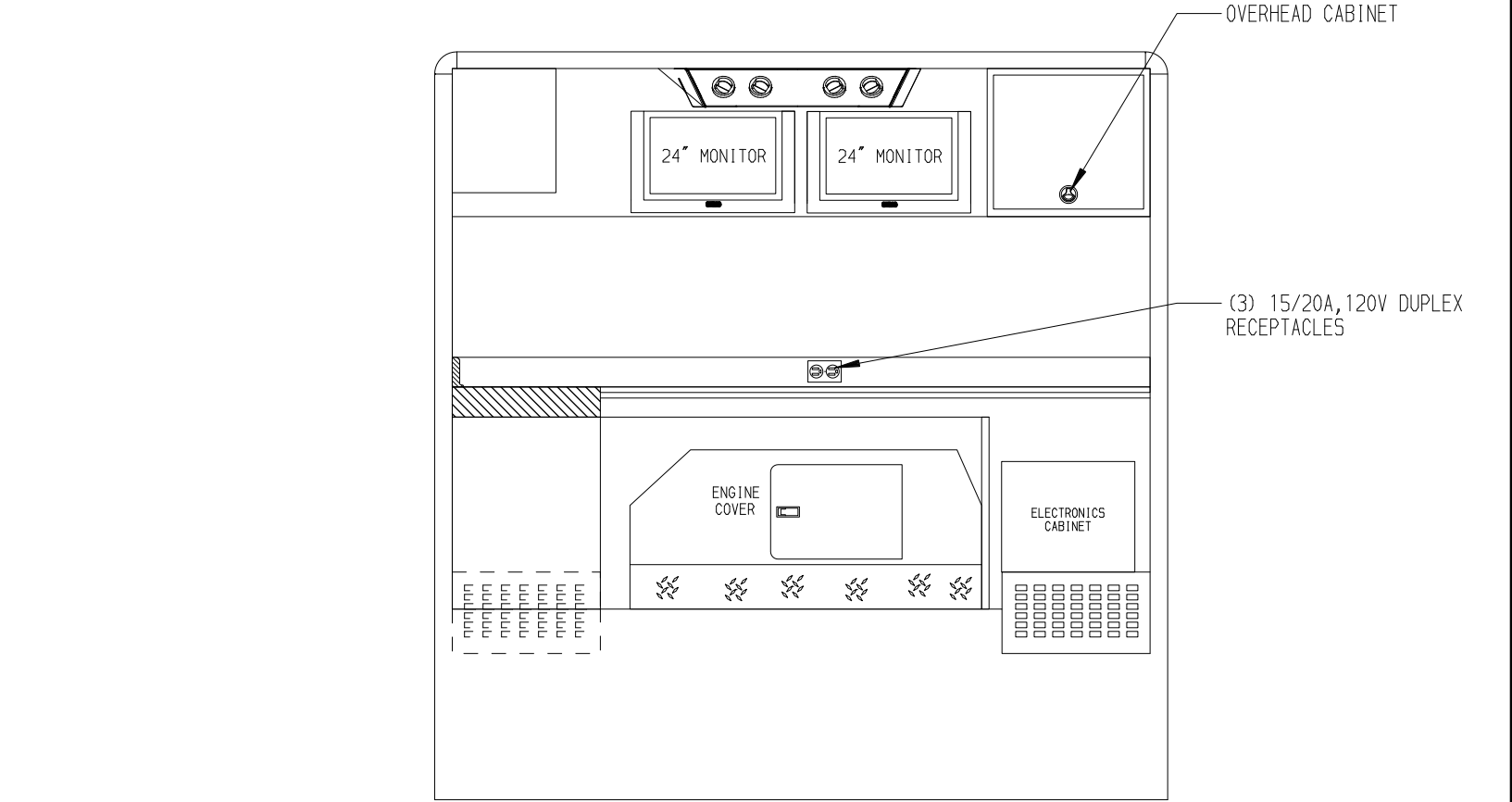
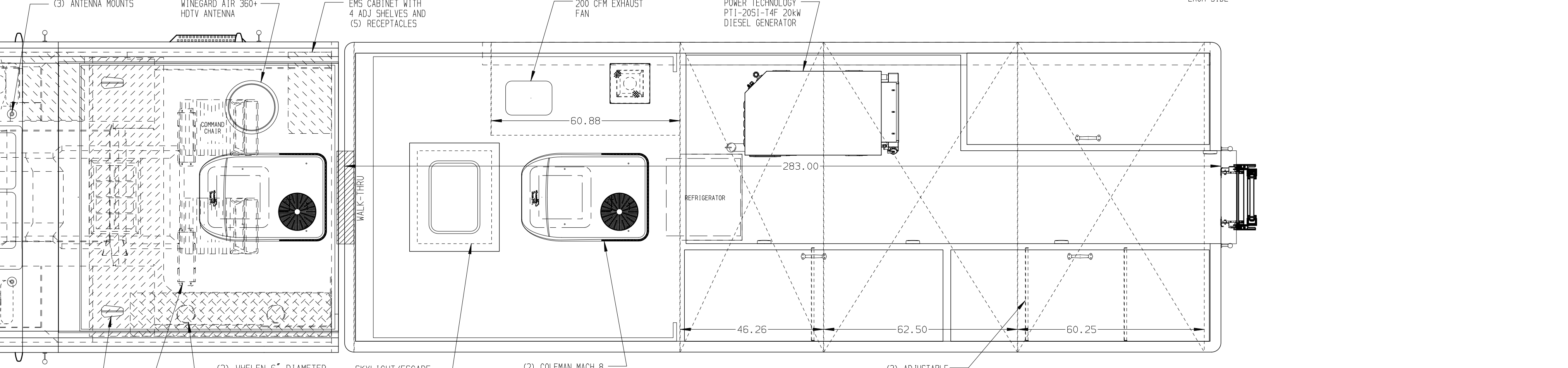
COMPARTMENT RS1 CONTAINS:  
 - (1) VERTICAL COMPARTMENT DIVIDER  
 - (2) 1/2 DEPTH ADJ SLIDE OUT TRAYS  
 - (1) 1/2 DEPTH FLOOR MTD SLIDE OUT TRAY WITH TOOLBOARD AND CLOSET RODS  
 - (1) STD DEPTH FLOOR MOUNTED TRAY  
 - (1) 15/20A, 120V DUPLEX RECEPTACLE

COMPARTMENT RS2 CONTAINS:  
 - (2) 1/2 DEPTH ADJ SLIDE OUT TRAYS  
 - (1) 15/20A, 120V DUPLEX RECEPTACLE

COMPARTMENT RS3 CONTAINS:  
 - (1) HORIZONTAL FLOOR EXTENSION  
 - (1) VERTICAL COMPARTMENT DIVIDER  
 - (2) SPECIAL DEPTH ADJ SHELVES  
 - (1) STD DEPTH FLOOR MOUNTED TRAY  
 - (2) 2-WAY SLIDEMASTER TRAYS WITH TOOLBOARDS  
 - (2) SCBA BRACKETS ON TOOLBOARD  
 - (1) LED MONITOR MTD ON TOOLBOARD

COMPARTMENT RS4 CONTAINS:  
 - (2) STD DEPTH ADJ SHELVES  
 - (1) STD DEPTH FLOOR MOUNTED TRAY  
 - WIRING FOR (2) HANDLIGHTS

COMPARTMENT RS5 CONTAINS:



**LEFT SIDE COMPARTMENTS CONTAIN THE FOLLOWING:**

COMPARTMENT LS1 CONTAINS:  
 - (1) 1/2 DEPTH ADJ SHELF  
 - (1) 1/2 DEPTH ADJ SLIDE OUT TRAY  
 - (1) 1/2 DEPTH FLOOR MTD SLIDE OUT TRAY  
 - (1) 15/20A, 120V DUPLEX RECEPTACLE  
 - (1) STD DEPTH FLOOR MOUNTED TRAY

COMPARTMENT LS2 CONTAINS:  
 - (2) 1/2 DEPTH ADJ SLIDE OUT TRAYS  
 - (1) 15/20A, 120V DUPLEX RECEPTACLE

COMPARTMENT LS3 CONTAINS:  
 - (1) HORIZONTAL FLOOR EXTENSION  
 - (1) VERTICAL COMPARTMENT DIVIDER  
 - (2) SPECIAL DEPTH ADJ SHELVES  
 - (1) STD DEPTH FLOOR MOUNTED TRAY  
 - (2) 2-WAY SLIDEMASTER TRAYS WITH TOOLBOARDS  
 - (2) SCBA BRACKETS ON TOOLBOARD

COMPARTMENT LS4 CONTAINS:

COMPARTMENT LS5 CONTAINS:  
 - (1) NEWMAR EV40 CHARGER

COMPARTMENT LS6 CONTAINS:  
 - (1) ADJUSTABLE SHELF

**NOTE**  
 DIMENSIONS SHOWN ARE APPROXIMATE AND ARE SUBJECT TO MINOR DEVIATIONS AS MAY OCCUR OR BE NECESSARY IN CONSTRUCTION. MINOR DETAILS NOT SHOWN.

- NOTES:**
- AIR INLET/OUTLET WITH DISCONNECT COUPLING LOCATED IN DRIVER'S SIDE STEP WELL OF CAB
  - ALUMINUM TREADPLATE ON CREW CAB ROOF
  - FLOOR IN CAB AND COMMAND CAB TO BE PADDED RUBBER
  - S/S GUARDS ON ALL BODY ROLL-UP DOORS
  - PIERCE LED LIGHT STRIPS IN ALL BODY AND HATCH COMPARTMENTS
  - TURTLE TILE MATTING ON ALL SHELVES AND TRAYS
  - TURTLE TILE MATTING IN LS2/RS2, LS3/RS3, LS6, RS5 AND BODY HATCH COMPARTMENT FLOORS
  - POLISHED S/S SCUFFPLATES ON CAB AND COMMAND CAB DOOR JAMBS
  - DAVID CLARK 4-POSITION INTERCOM SYSTEM

MAXIMUM O.A.H. 11'-11"  
 MAXIMUM O.A.L. 41'-0"

CLEAR DOOR WIDTH KEY									
AMDR ROLL UP DOORS:	-2 1/4"	14DEC20	DHE	CDK	CHASSIS DATA	TITLE	HEAVY DUTY RESCUE	JOB NO.	34940
GORTITE ROLL UP DOORS:	-2 1/2"	09DEC20	DHE	CDK	MAKE	FOR	WALKIN/NON-WALKIN COMBO	SCALE	1:24
PIERCE DOUBLE LAP DOORS:	-4 1/4"	18OCT20	DHE	CDK	PIERCE		CITY OF SACRAMENTO	DRAWN BY	DHE
PIERCE LIFT-UP LAP DOORS:	-1 1/2"	15OCT20	DHE	CDK	PIERCE		SACRAMENTO, CA	CHECKED BY	CDK
(EX: 60" F-F = 2 1/4" = 57 3/4" CLEAR)		26AUG20	DHE	AZU	MODEL				13AUG20
(F-F) = FRAME TO FRAME		REV	DATE	BY	CH	VXFR8420	DWG NO.	34940AD-SH1	SHEET SIZE

			JOB NO.	34940
DATE			SCALE	1:24
DRAWN BY		DHE	DATE	
CHECKED BY		CDK	13AUG20	
SHEET NO.		D	1 OF 1	
DRAWN BY: DHE   CHECKED BY: CDK   BRAD HANSEN				