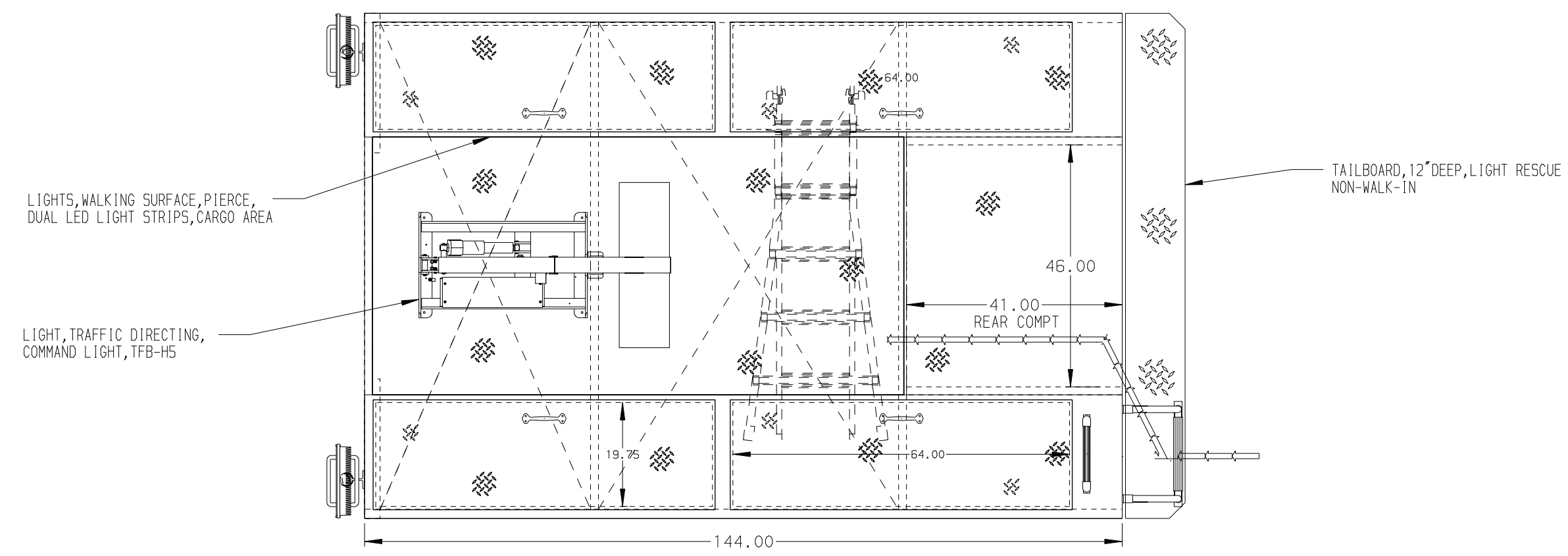
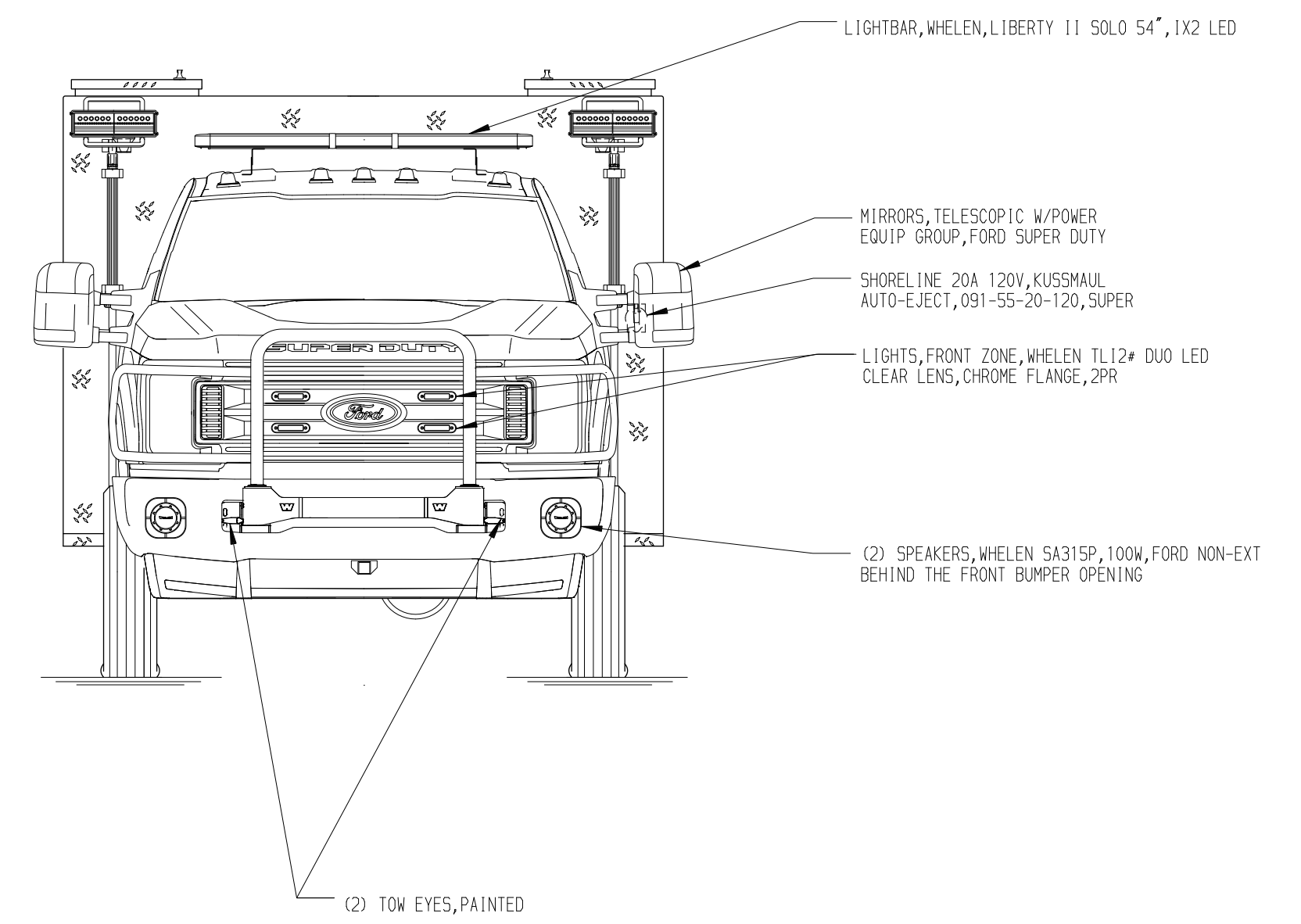
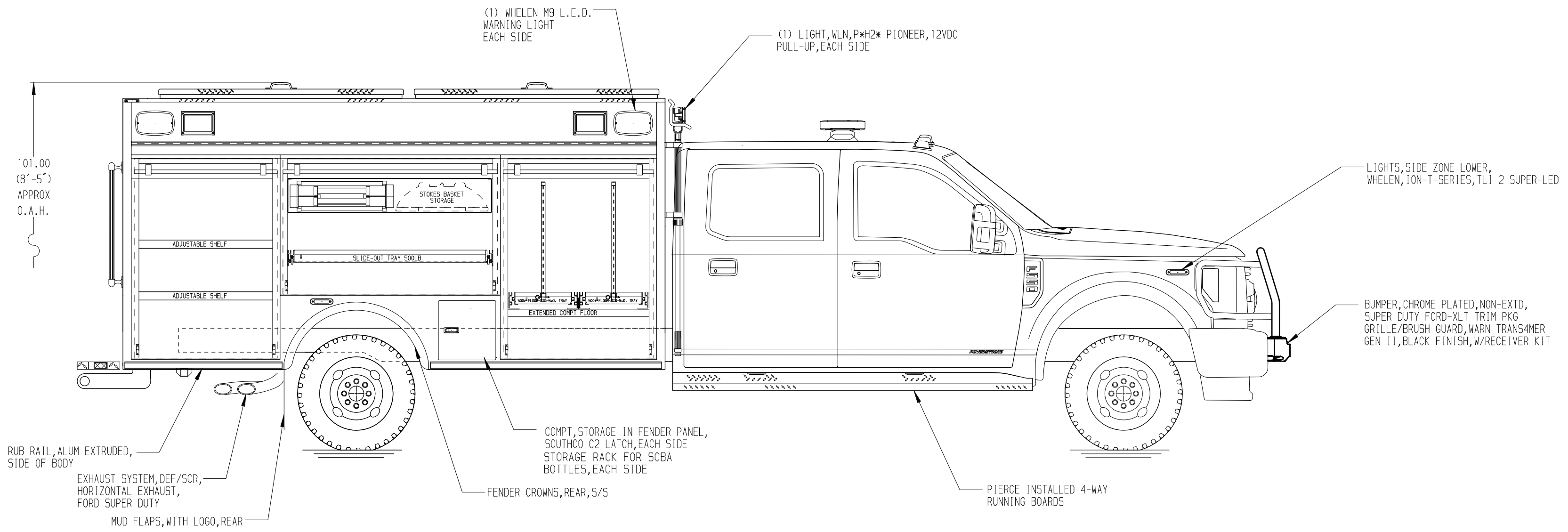


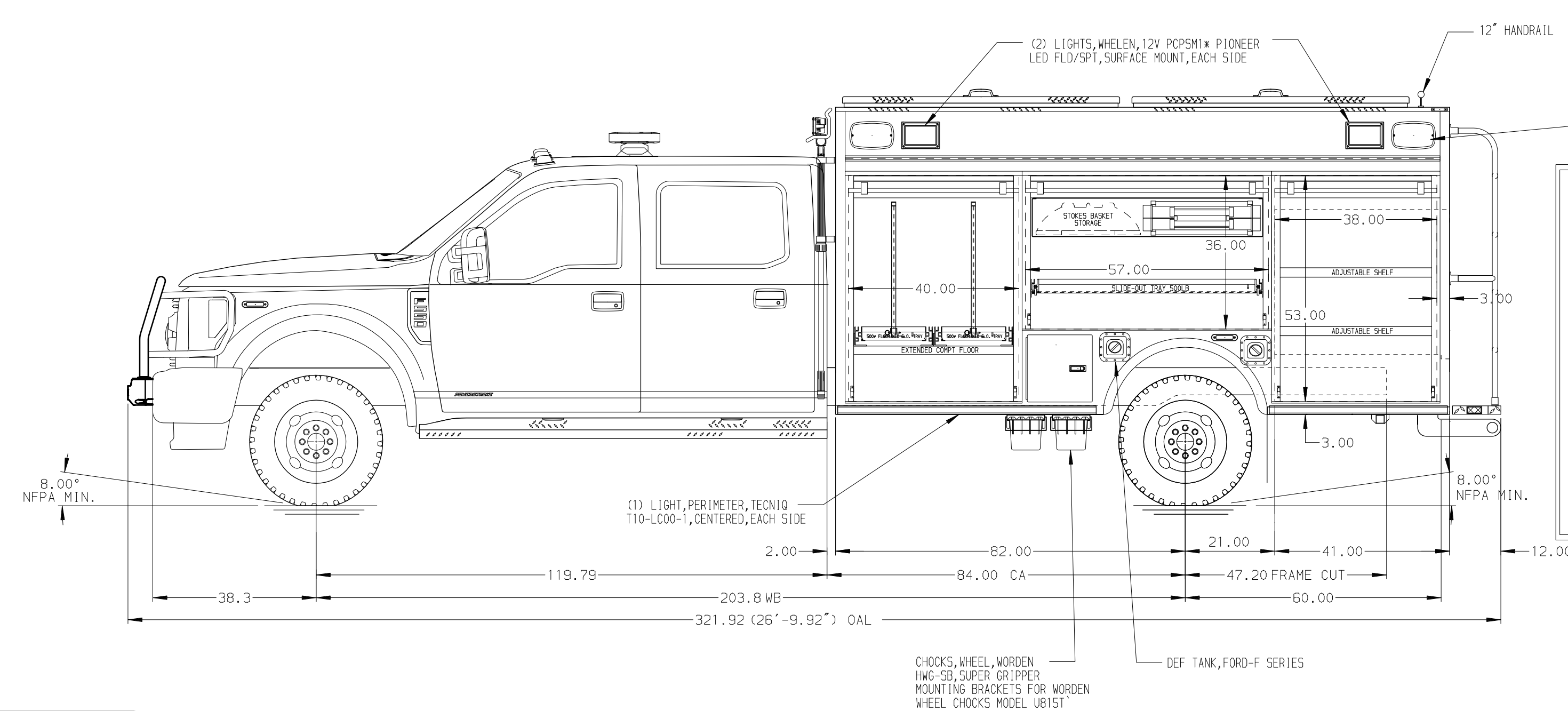
RIGHT SIDE COMPARTMENTS CONTAIN THE FOLLOWING:

- COMPARTMENT RS1 CONTAINS:
 - (2) SHELVES, ADJUSTABLE, 500LB CAP. STANDARD DEPTH COMPT
- COMPARTMENT RS2 CONTAINS:
 - (1) TRAY, SLIDE OUT, TWO WAY, TRANSVERSE COMPT, ADJUSTABLE HEIGHT, 500 LB CAPACITY
 - (1) RACK, STOKES BASKET STORAGE
 - (1) LADDER HOR, LITTLE GIANT REVOLUTION XE-MODEL 22 12022
- COMPARTMENT RS4 CONTAINS:
 - (2) TRAY, FLOOR MOUNT, UTILITY, TWO WAY, SLIDE OUT 500 LB, 3 SIDES, PUFF TRANS
 - (2) TOOLBOARD, ADDED TO SLIDE OUT TRAY, FULL DEPTH TRANSVERSE
 - AIR BOTTLE HOLDER WITH TRACKS (8)
 - (1) EXTENDED COMPARTMENT FLOOR BOLT IN STYLE



REAR COMPARTMENT R1 CONTAINS THE FOLLOWING:

COMPARTMENT R1 CONTAINS:
 - (1) TRAY, SLIDE-OUT, STD DEPTH COMPARTMENT ADJUSTABLE HEIGHT, 500 LB CAPACITY

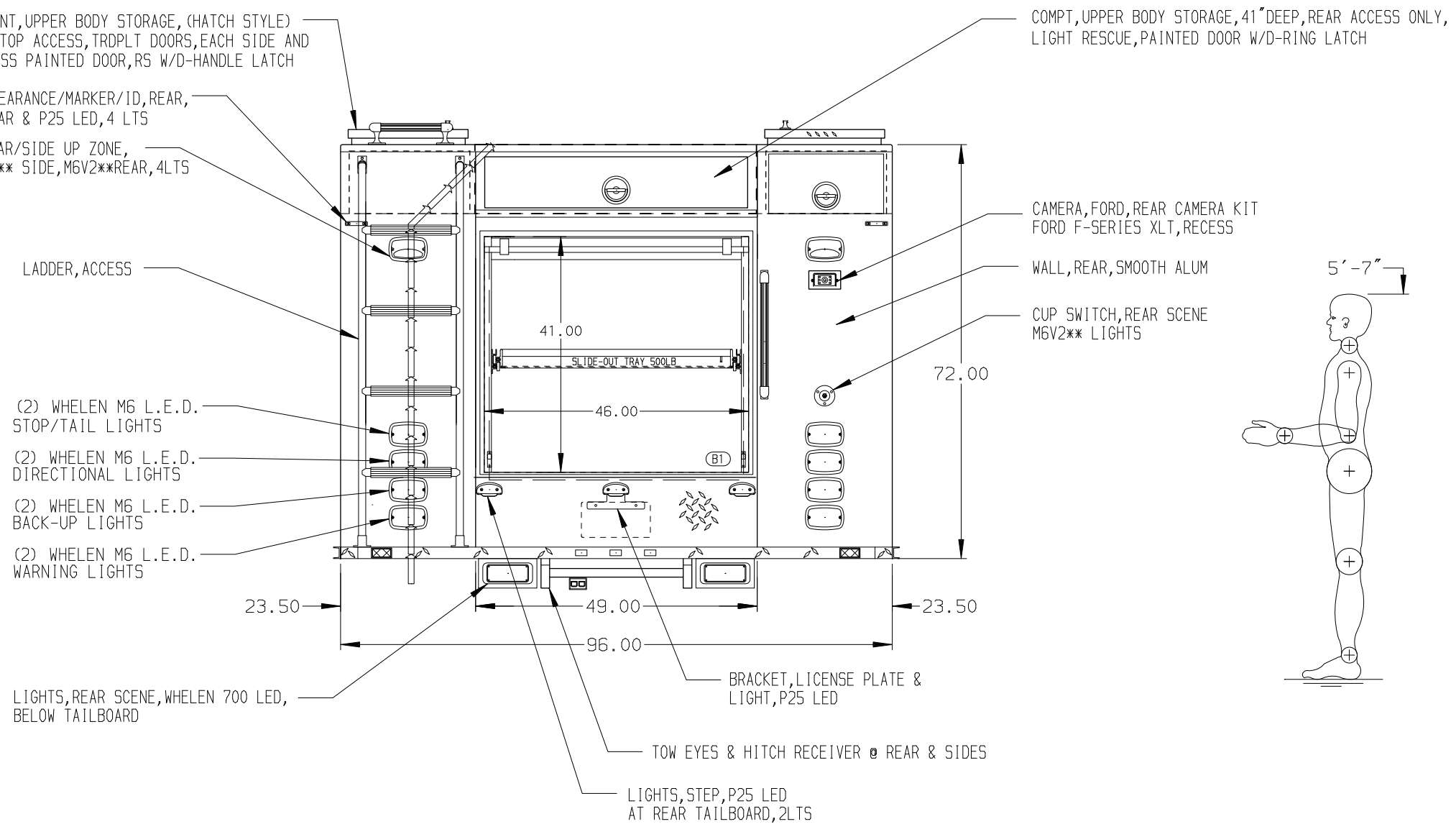


LEFT SIDE COMPARTMENTS CONTAIN THE FOLLOWING:

COMPARTMENT LS1 CONTAINS:
 - (2) SHELVES, ADJUSTABLE, 500LB CAP. STANDARD DEPTH COMPT


COMPARTMENT LS2 CONTAINS:
 - (1) TRAY, SLIDE OUT, TWO WAY, TRANSVERSE COMPT, ADJUST HEIGHT, 500 LB CAPACITY
 - (1) RACK, STOKES BASKET STORAGE
 - (1) LADDER HOR, LITTLE GIANT REVOLUTION XE-MODEL 22 12022

COMPARTMENT LS4 CONTAINS:
 - (2) TRAY, FLOOR MOUNT, UTILITY, TWO WAY, SLIDE OUT, 500 LB, 3 SIDES, PUFF TRANS
 - (2) TOOLBOARD, ADDED TO SLIDE OUT TRAY, FULL DEPTH TRANSVERSE
 - AIR BOTTLE HOLDER WITH TRACKS
 - (1) EXTENDED COMPARTMENT FLOOR BOLT IN STYLE



ALUMINUM BODY

NOTE
 DIMENSIONS SHOWN ARE APPROXIMATE AND ARE SUBJECT TO MINOR DEVIATIONS AS MAY OCCUR OR BE NECESSARY IN CONSTRUCTION. MINOR DETAILS NOT SHOWN.

 PIERCE MANUFACTURING INC. BRADENTON, FLORIDA		JOB NO.	34931
		DATE	17JUN20
TITLE 12' RESCUE, NON-WALK-IN FOR KEARSARGE FIRE DEPARTMENT ERIE, PENNSYLVANIA		SCALE	1:24
		DRAWN BY	JLA
DRWG. NO. 34931AD		CHK'D BY	RWI
		SHEET NO.	1 OF 1
REV. DATE BY CHK'D		SHEET SIZE D	