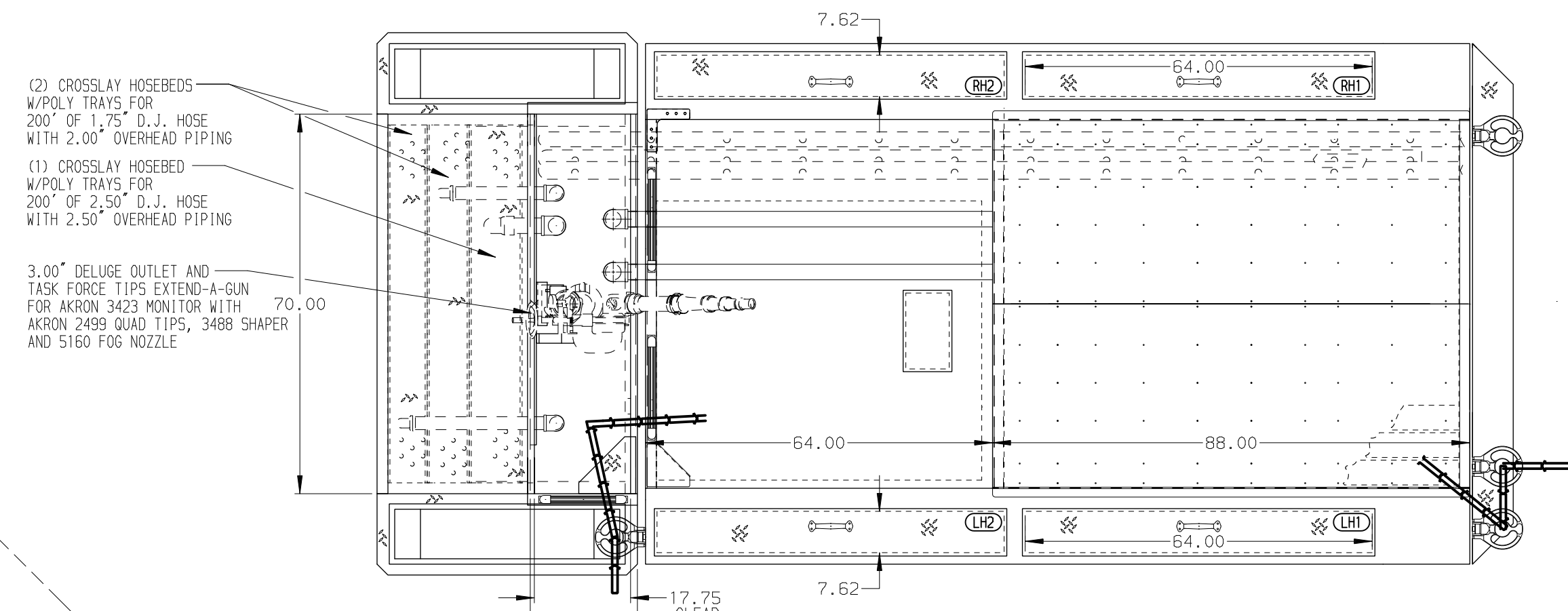
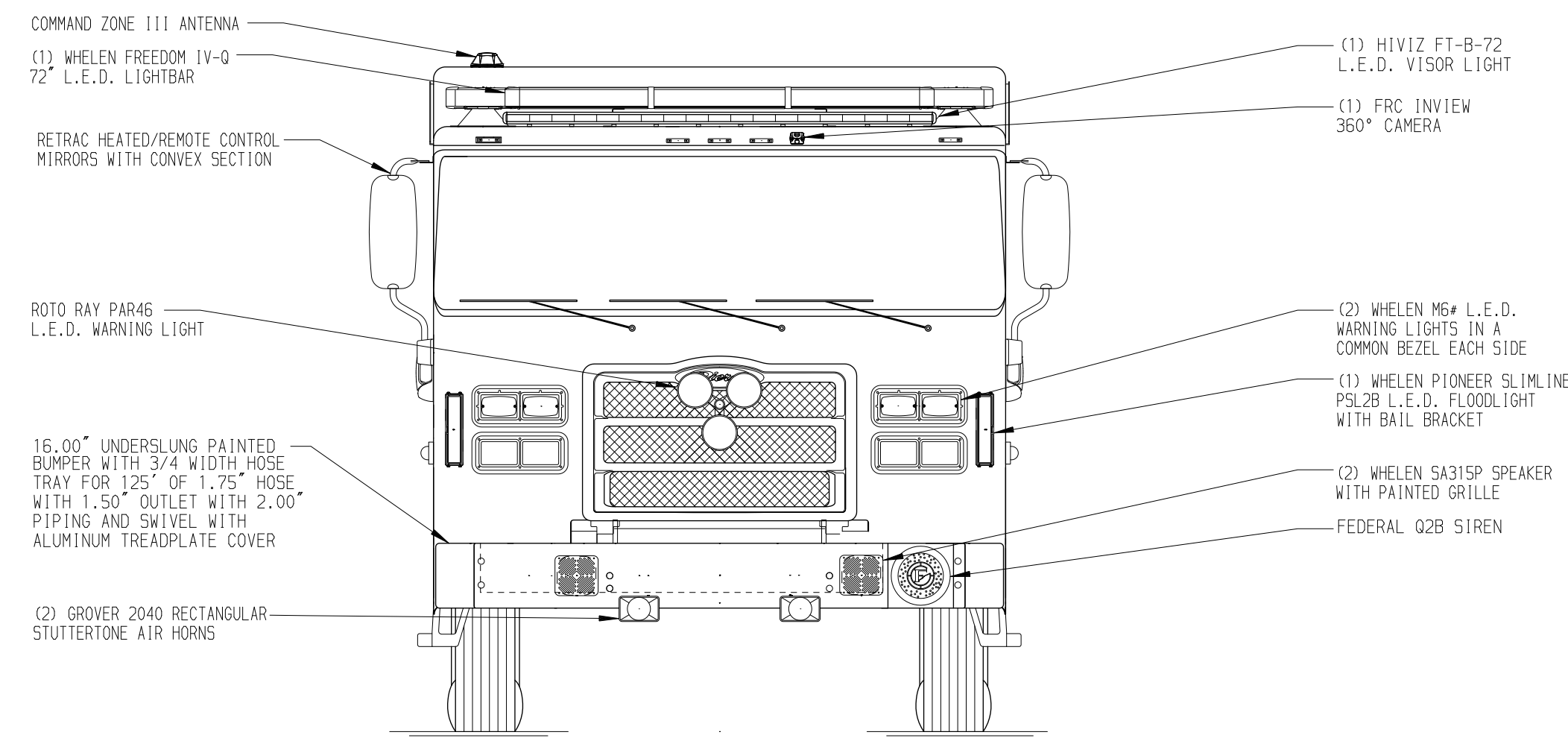
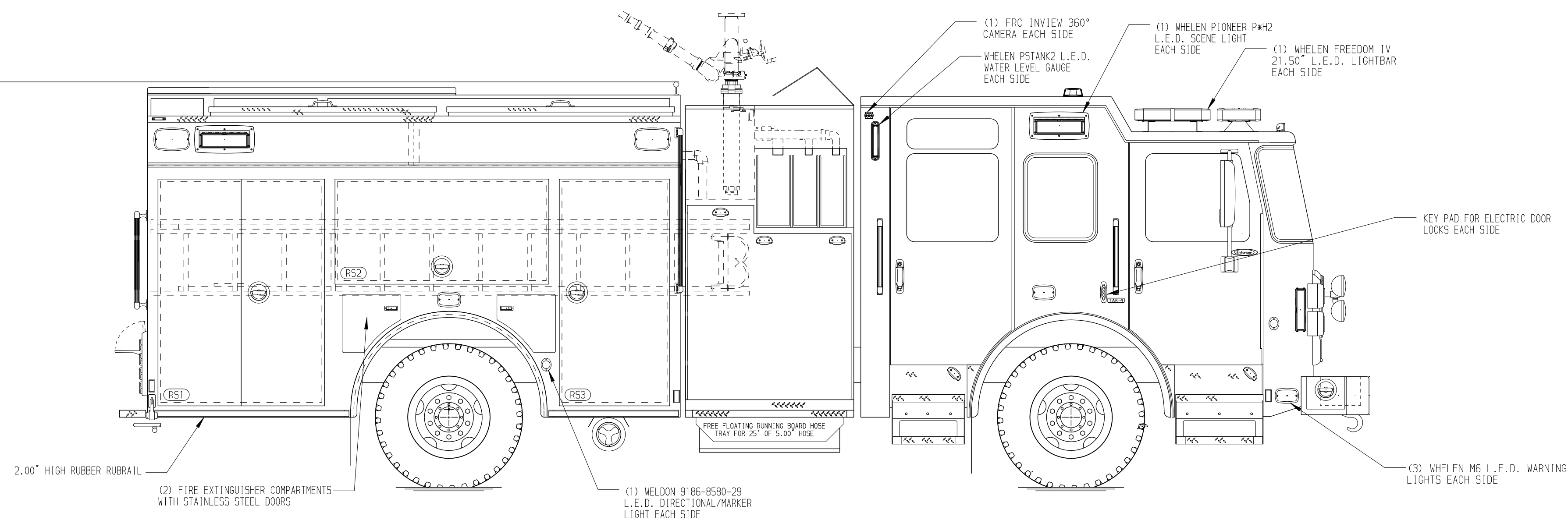
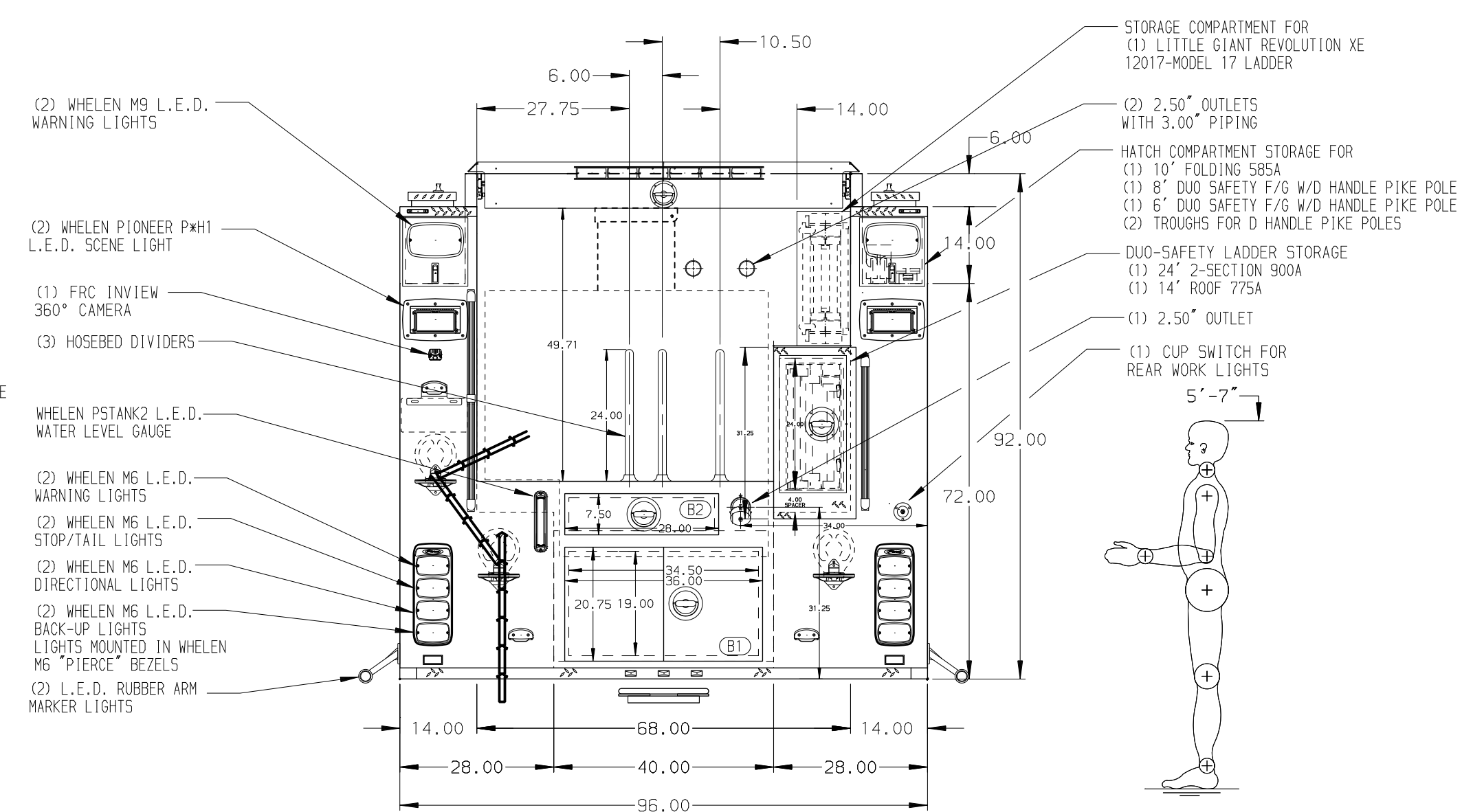
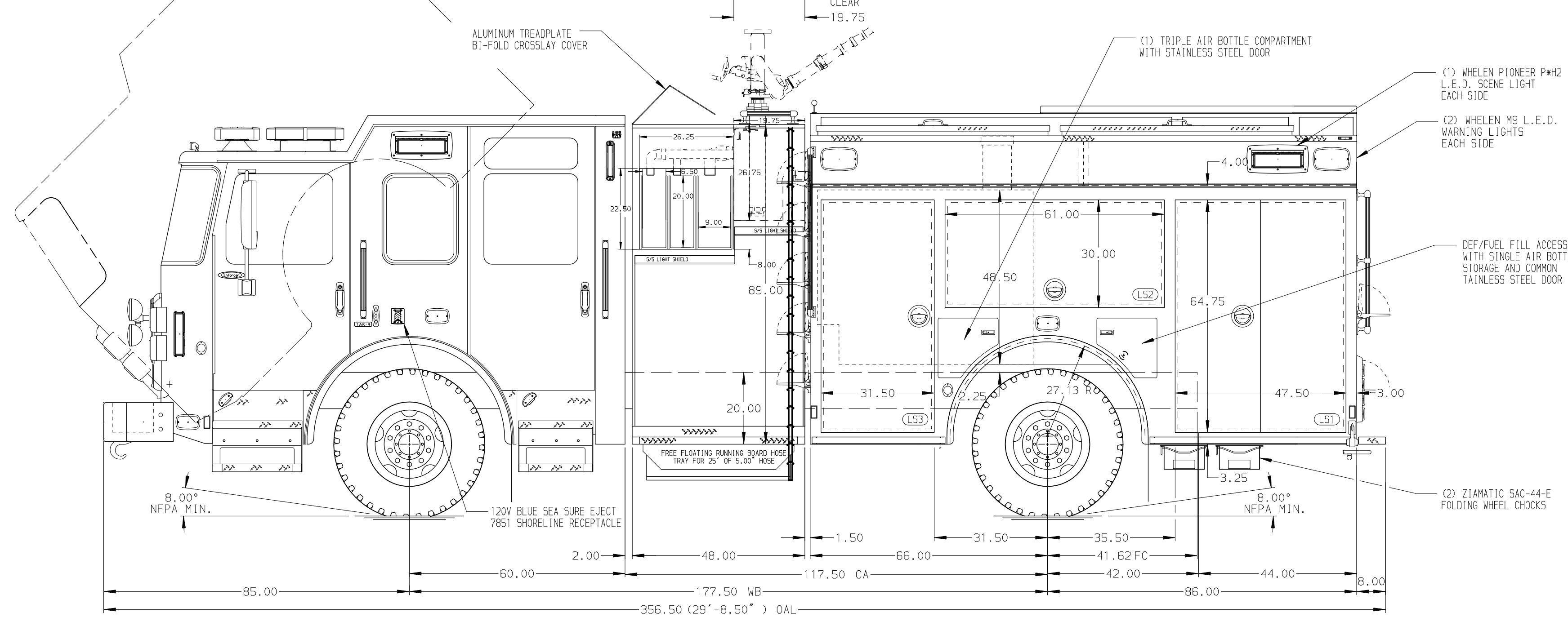


121.00
(10'-1")
APPROX
O.A.H.



- HOSEBED CAPACITIES
- ① 500' OF 5.00" D.J. POLY HOSE
 - ② 200' OF 2.50" D.J. POLY HOSE
 - ③ 300' OF 2.50" D.J. POLY HOSE
 - ④ 400' OF 2.50" D.J. POLY HOSE



ALUMINUM BODY

SIDE ROLL & FRONTAL IMPACT PROTECTION

NOTE
DIMENSIONS SHOWN ARE APPROXIMATE AND ARE SUBJECT TO MINOR DEVIATIONS AS MAY OCCUR OR BE NECESSARY IN CONSTRUCTION.
MINOR DETAILS NOT SHOWN.

1. BATTERY CHARGER LOCATED BEHIND DRIVER SEAT
2. BATTERY CHARGE INDICATOR LOCATED ON DRIVER'S SEAT RISER
3. BRUSHED STAINLESS STEEL SCUFFPLATE INSIDE EACH BODY COMPARTMENT DOORS
4. ONE FULL WIDTH/DEPTH ADJUSTABLE SHELF IN COMPARTMENTS L52 AND R52; THREE IN L51, L53 AND R51
5. ONE FLOOR MOUNTED SLIDE-OUT TRAY IN COMPARTMENT B1
6. THREE SLIDE-OUT TOOL BOARDS WITH PEGBOARD PATTERN IN COMPARTMENTS L53
7. POLY TOOL BOX IN COMPARTMENT B2
8. HOT WATER HEATER IN PUMP COMPARTMENT
9. 120V DUPLEX RECEPTACLE LOCATED IN COMPARTMENT L51 AND R51
10. INSTA-CHAIN AUTOMATIC TIRE CHAINS
11. PEGBOARD MOUNTED ON BACK WALL OF COMPARTMENTS L52, L53 AND R52

REV	DATE	BY	CH	ENFORCER
17JUN20	LME	PJP		CHASSIS DATA
08JUN20	SHD	PJP		MAKE
30APR20	LME	PJP		PIERCE
19MAR20	NPE	NPE		MODEL
18MAR20	LME	NPE		

		JOB NO.	34923
		SCALE	DATE
TITLE	1500-D-500P GALLON TANK, 152" PUMPER BODY MILWAUKEE STYLE TANK, DELUGE, (3) CROSSLAYS		
FOR	IOWA CITY FIRE DEPARTMENT IOWA CITY, IOWA		
DWG NO.	34923AD		
	DRAWN BY	LME	10MAR20
	CHECKED BY	EGO	11MAR20
	SHEET SIZE	D	SHEET NO. 1 OF 1