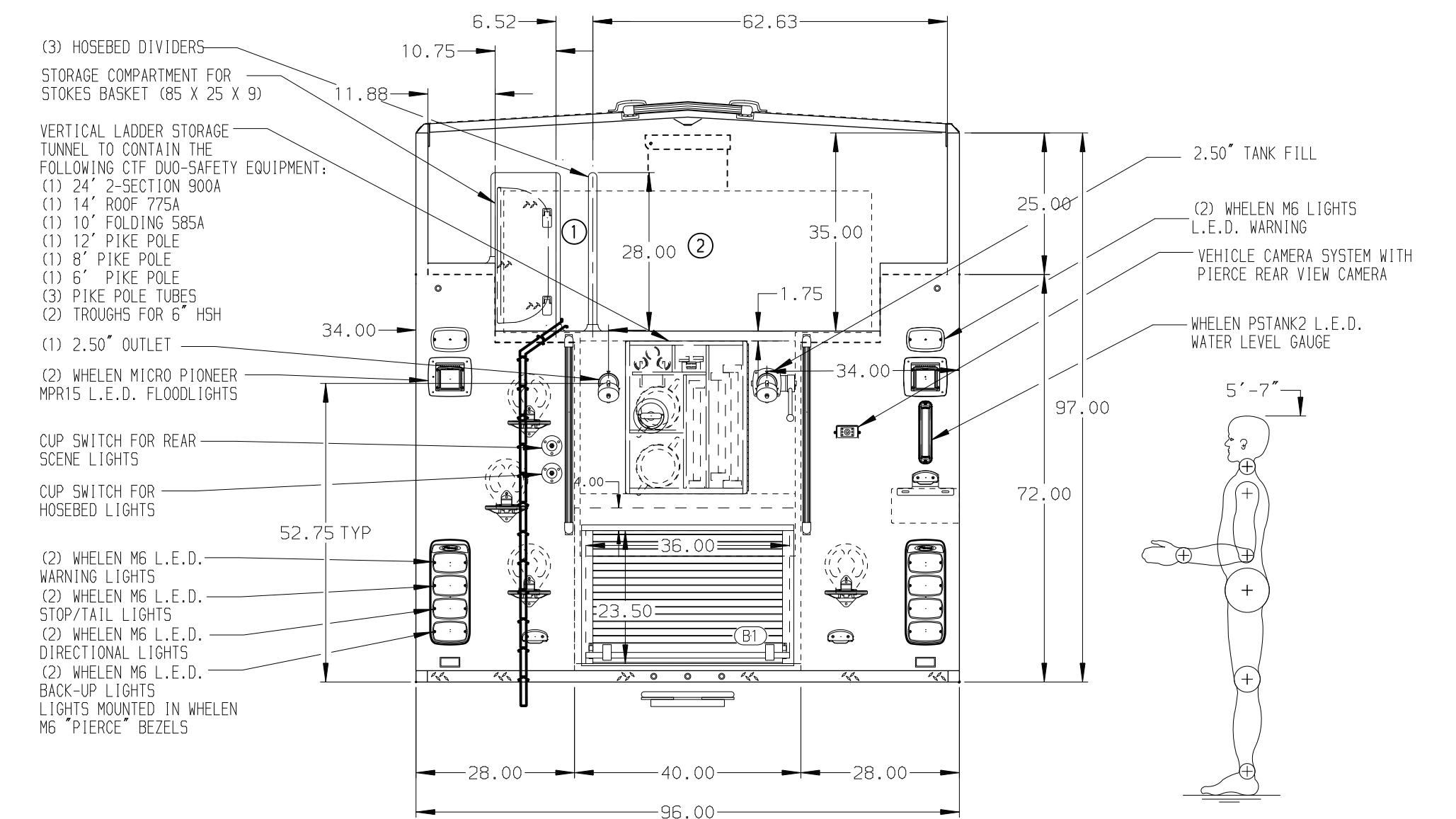
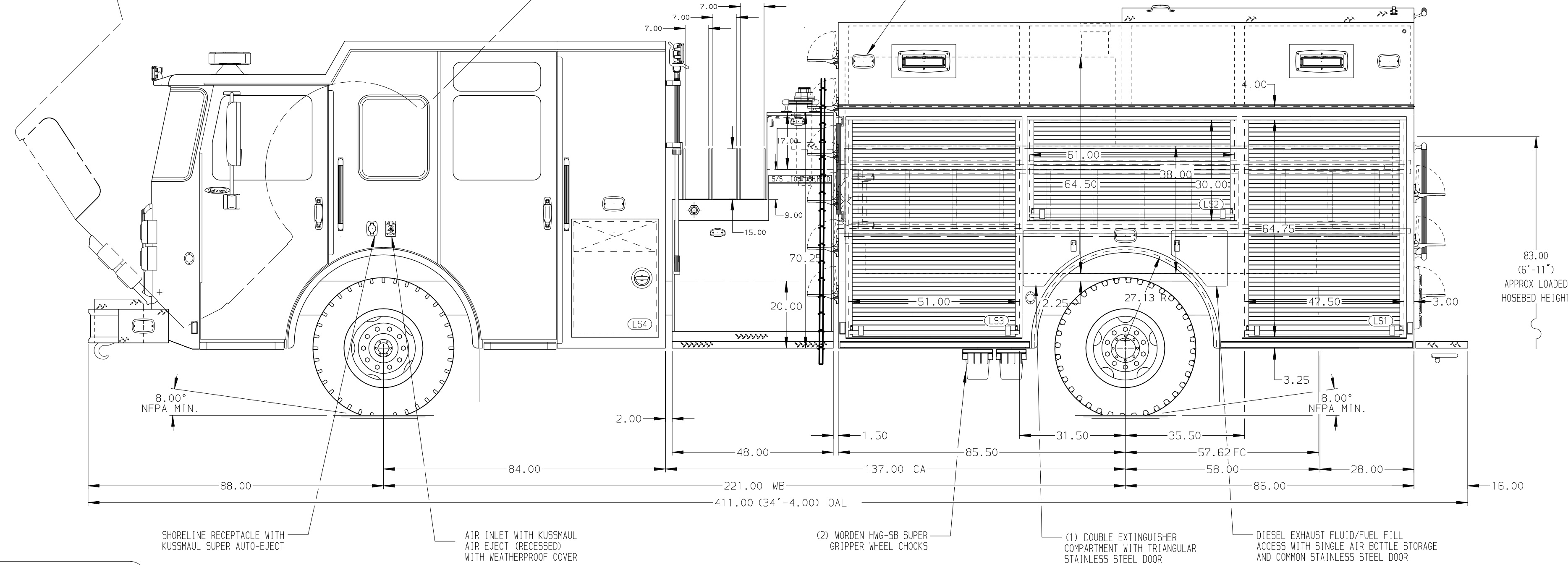


- HOSEBED CAPACITIES
- ① 200' OF 2.50" D.J. HOSE
 - ② 1200' OF 4.00" LDH



ALUMINUM BODY

NOTE
DIMENSIONS SHOWN ARE APPROXIMATE AND ARE SUBJECT TO MINOR DEVIATIONS AS MAY OCCUR OR BE NECESSARY IN CONSTRUCTION. MINOR DETAILS NOT SHOWN.

1. ONSPOT AUTOMATIC TIRE CHAINS TO BE PROVIDED AT REAR
2. BATTERY CHARGER LOCATED BEHIND DRIVER'S SEAT
3. BATTERY CHARGE INDICATOR LOCATED ON DRIVER'S SEAT RISER
4. DUAL L.E.D. LIGHT STRIPS LOCATED IN HOSE BED
5. L.E.D. LIGHT STRIP LOCATED ON THE FRONT OF THE HOSEBED
6. DRIP PAN GUARD FOR ROLL-UP DOOR LOCATED IN ALL BODY COMPARTMENTS
7. ONE FULL WIDTH/DEPTH ADJUSTABLE SHELF IN COMPARTMENTS LS1, LS3, RS1, AND RS3
8. ONE FLOOR MOUNTED SLIDE-OUT TRAY IN COMPARTMENT RS3
9. ONE SLIDE-OUT TOOLBOARD LOCATED IN COMPARTMENT LS3

		JOB NO.	34917
		SCALE	DATE
Pierce MANUFACTURING INC.		DRAWN BY	05MAR20
TITLE 1500-D-1000 POLY TANK, 171" FHFD W/12" CLEVELAND NOTCH 48" SIDE CONTROL, (3) XLAYS, VERTICAL LADDER TUNNEL		CHECKED BY	10MAR20
FOR HARBORCREEK VFD HARBORCREEK, PENNSYLVANIA		SHEET SIZE	SHEET NO.
DWG NO. 34917AD		D	1 OF 1

REV	DATE	BY	CH	ENFORCER
17JUN20	KLE	DTS		MAKE
21MAY20	KLE	DTS		PIERCE
12MAR20	KLE	DTS		MODEL