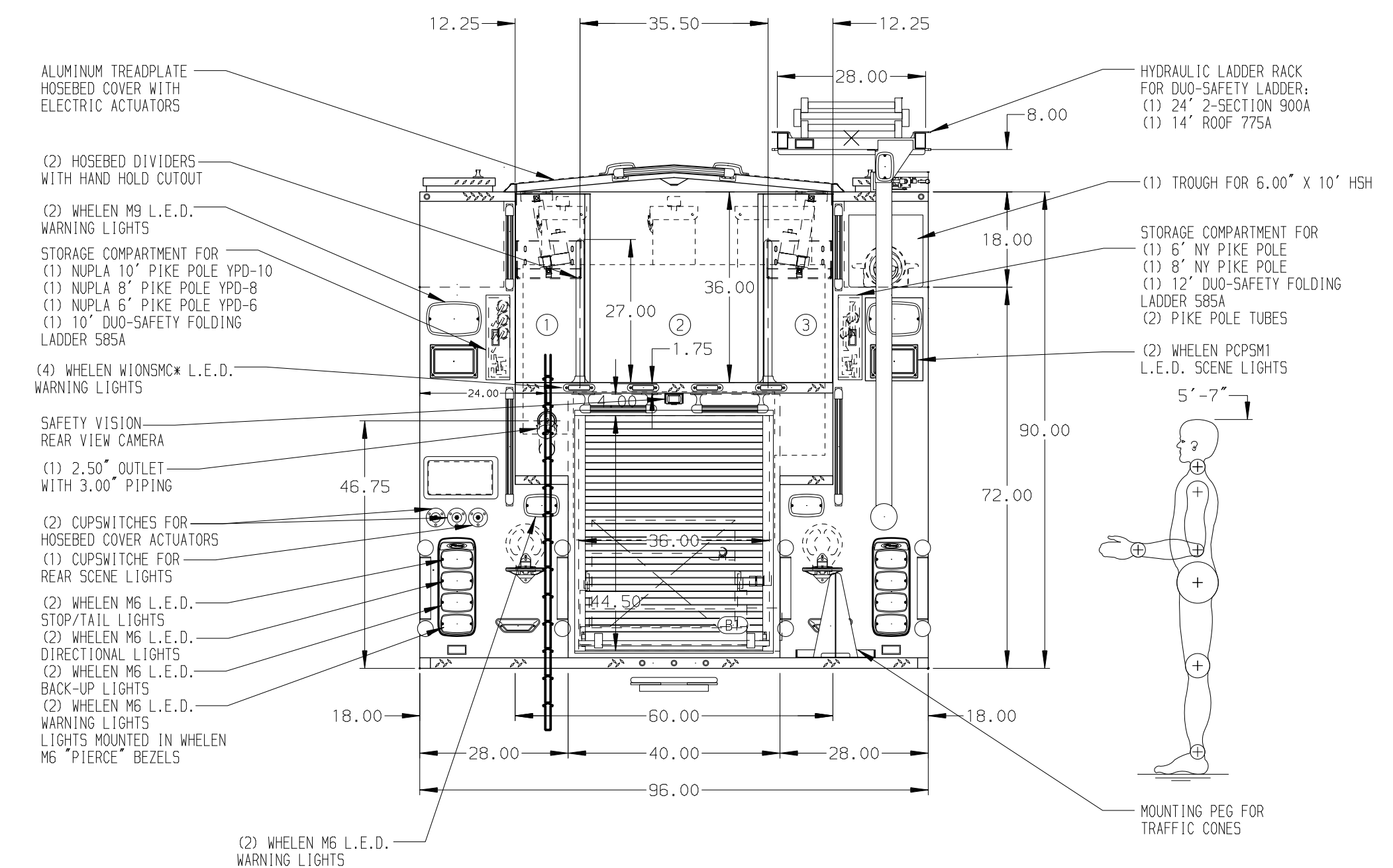
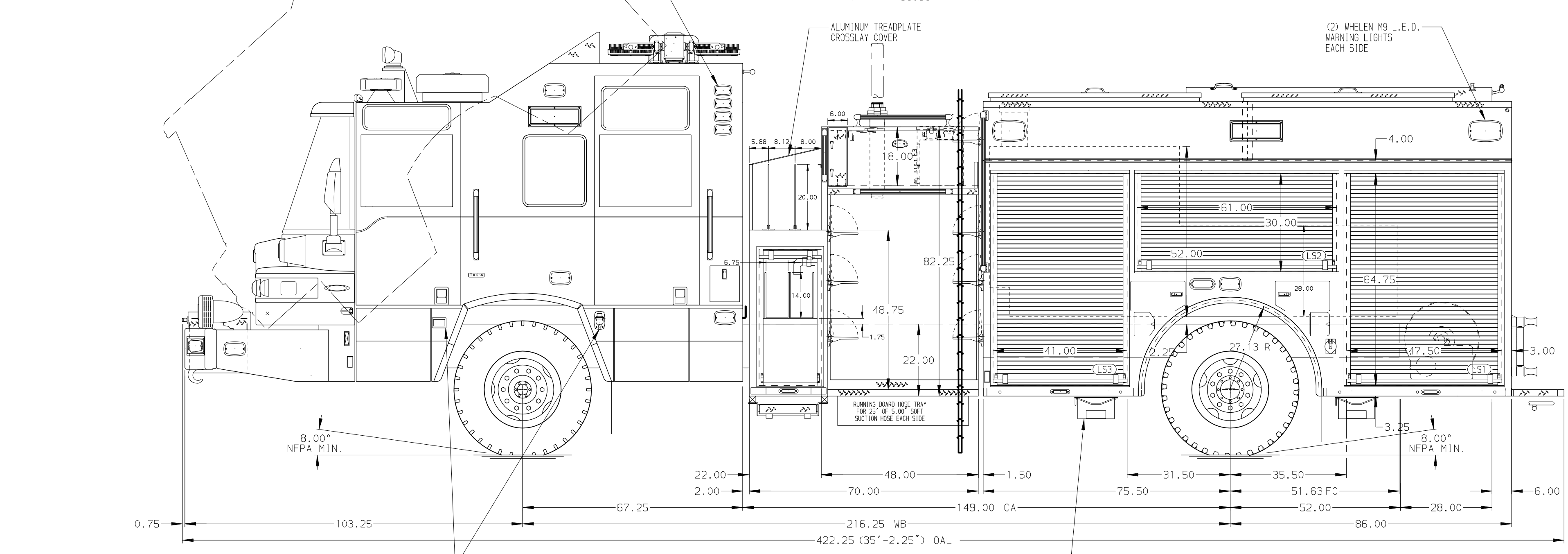


HOSEBED CAPACITIES

- 200' OF 3.00" D.J. POLY HOSE
- 1000' OF 5.00" D.J. POLY HOSE
- 400' OF 3.00" D.J. POLY HOSE



ALUMINUM BODY MAXIMUM O.A.H. 133.00" SIDE ROLL AND FRONTAL IMPACT PROTECTION

NOTE
DIMENSIONS SHOWN ARE APPROXIMATE AND ARE SUBJECT TO MINOR DEVIATIONS AS MAY OCCUR OR BE NECESSARY IN CONSTRUCTION. MINOR DETAILS NOT SHOWN.

- AIR INLET/OUTLET W/ DISCONNECT FITTINGS LOCATED ON DS PUMP PANEL
- VENT WITH SPLASH GUARD LOCATED IN COMPARTMENT RS3
- BATTERY CHARGER LOCATED BEHIND DRIVERS SEAT
- ONE ADJUSTABLE SHELF LOCATED IN COMPARTMENTS RS1, RS3, & B1
- ELASTIC PULL STRAP ON DOOR IN COMPARTMENTS LS1, LS2, LS3, RS1, RS2, & RS3
- ONE ADJUSTABLE SLIDE-OUT TRAY IN COMPARTMENT LS3
- ONE FLOOR MOUNTED SLIDE-OUT TRAY IN COMPARTMENTS LS1, RS1, & RS3
- ALUMINUM SWING-OUT TOOLBOARD WITH PAC TRAC IN COMPARTMENTS LS2 & LS3
- ONE TILTING/SLIDE-OUT TRAY LOCATED IN COMPARTMENTS RS1, RS2, & RS3; TWO IN LS1
- PAC TRAC ON THE REAR WALL OF COMPARTMENTS LS2 & LS3

- PARTITION BETWEEN COMPARTMENTS LS1/B1 AND RS1/B1
- CIRCUIT BREAKER PANEL IN COMPARTMENT RS3
- ONE HANNAY ELECTRIC REWIND CORD REEL MODEL EF1618-17-18 LOCATED IN CARGO AREA WITH 200' OF 10/3 CABLE
- HANNAY BOOSTER REEL MODEL SBFC34-23-24 LOCATED IN COMPARTMENT R1 WITH CAPACITY FOR 200' OF 1.00" BOOSTER HOSE

REV	DATE	BY	CH	QUANTUM
27JUL20	BKB	AZA		CHASSIS DATA
14JUL20	BKB	AZA		MAKE
03JUN20	LME	AZA		PIERCE
				MODEL
				FOR

Pierce MANUFACTURING INC.

JOB NO. 34893 (01-04)
SCALE 1:24 DATE
DRAWN BY AMI 24MAR20
CHECKED BY AZA 24MAR20
SHEET SIZE D SHEET NO. 1 OF 1

TITLE 2000-D-750P W/ 30 & 40 GAL FOAM CELLS, 161" BODY (2)SPEEDLAYS, (2)XLAAYS, DELUGE, HYD LADDER RACK
FOR CY-FAIR FIRE DEPARTMENT HOUSTON, TEXAS
DWG NO. 34893AD