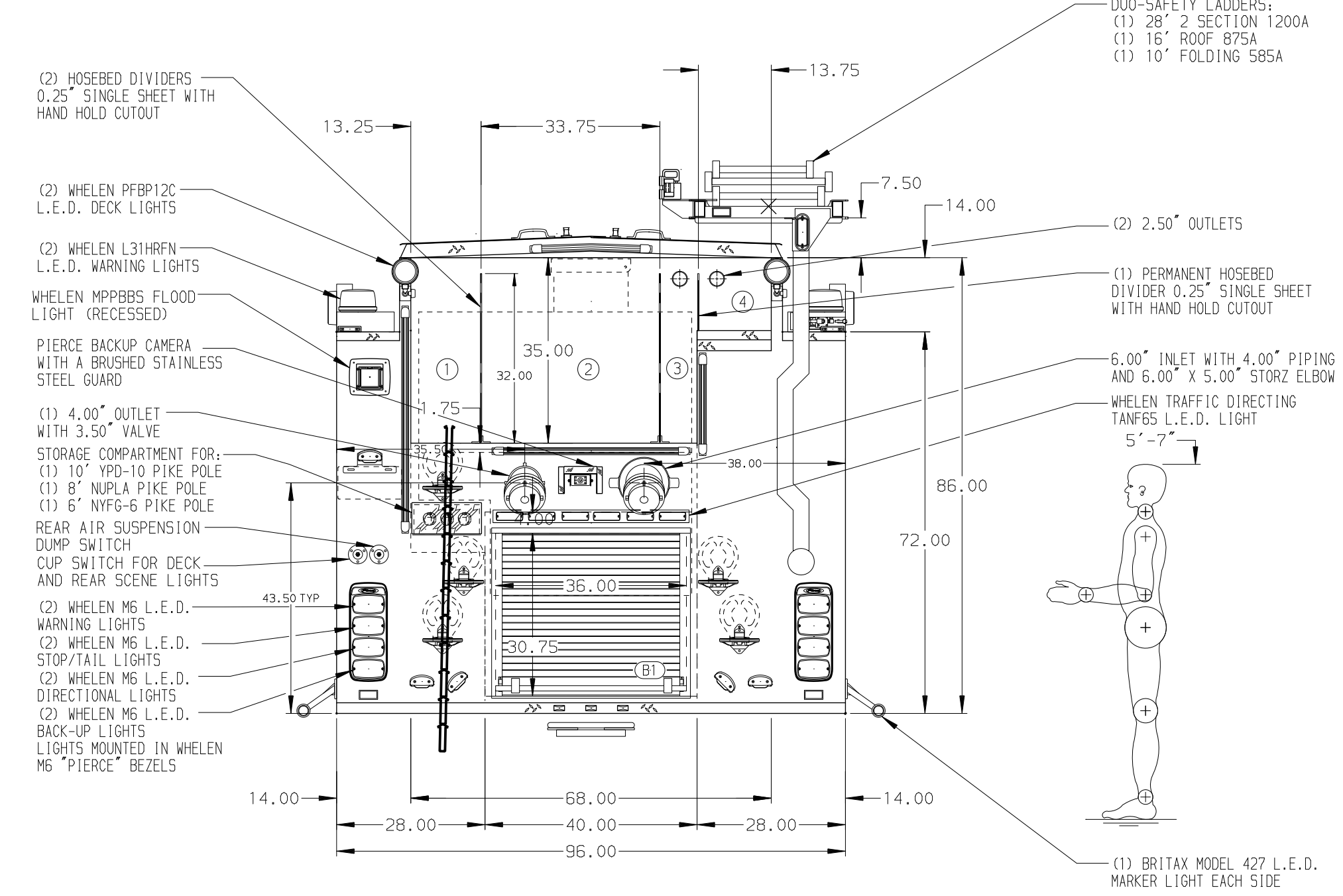
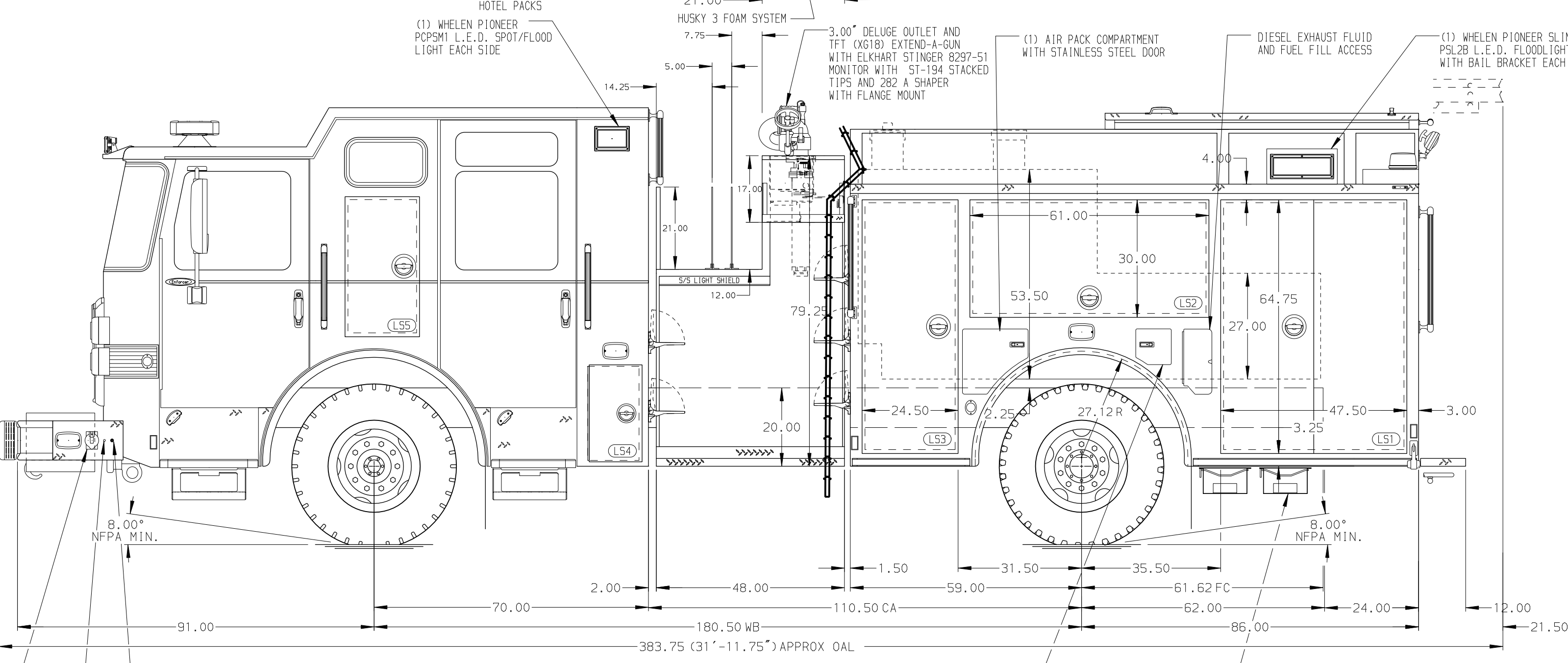


**HOSEBED CAPACITIES**  
 ① - 750' OF 2.50" D.J. HOSE (BELOW)  
 ② - 100' OF 1.75" D.J. HOSE (ABOVE)  
 ③ - 750' OF 5.00" D.J. HOSE  
 ④ - 200' OF 1.75" D.J. HOSE  
 ⑤ - 200' OF 2.50" D.J. HOSE



ALUMINUM BODY

MAXIMUM O.A.H. 126.50"

SIDE ROLL AND FRONTAL IMPACT PROTECTION

**NOTE**  
 DIMENSIONS SHOWN ARE APPROXIMATE AND ARE SUBJECT TO MINOR DEVIATIONS AS MAY OCCUR OR BE NECESSARY IN CONSTRUCTION. MINOR DETAILS NOT SHOWN.

- BATTERY CHARGER LOCATED IN COMPARTMENT LS3
- SCUFFPLATES ON CENTER EXTERIOR SURFACE OF THE REAR WALL
- PLUMBING DIAGRAM REQUIRED

		JOB NO.	34888
		SCALE	DATE
CHASSIS DATA TITLE FOR	1500-D-780P 750G WATER W/30G FOAM, 145" BODY (2) XLYAS, (1) DEADLAY, HUSKY 3, DELUGE	DRAWN BY	KLE
		CHECKED BY	NPE
REV	DATE	BY	CH
DWG NO. 34888AD-SH1		SHEET SIZE	SHEET NO.
		D	1 OF 2

18MAY20	KLE	-	
19MAR20	KLE	DTS	PIERCE
13MAR20	KLE	NPE	MODEL
			ENFORCER