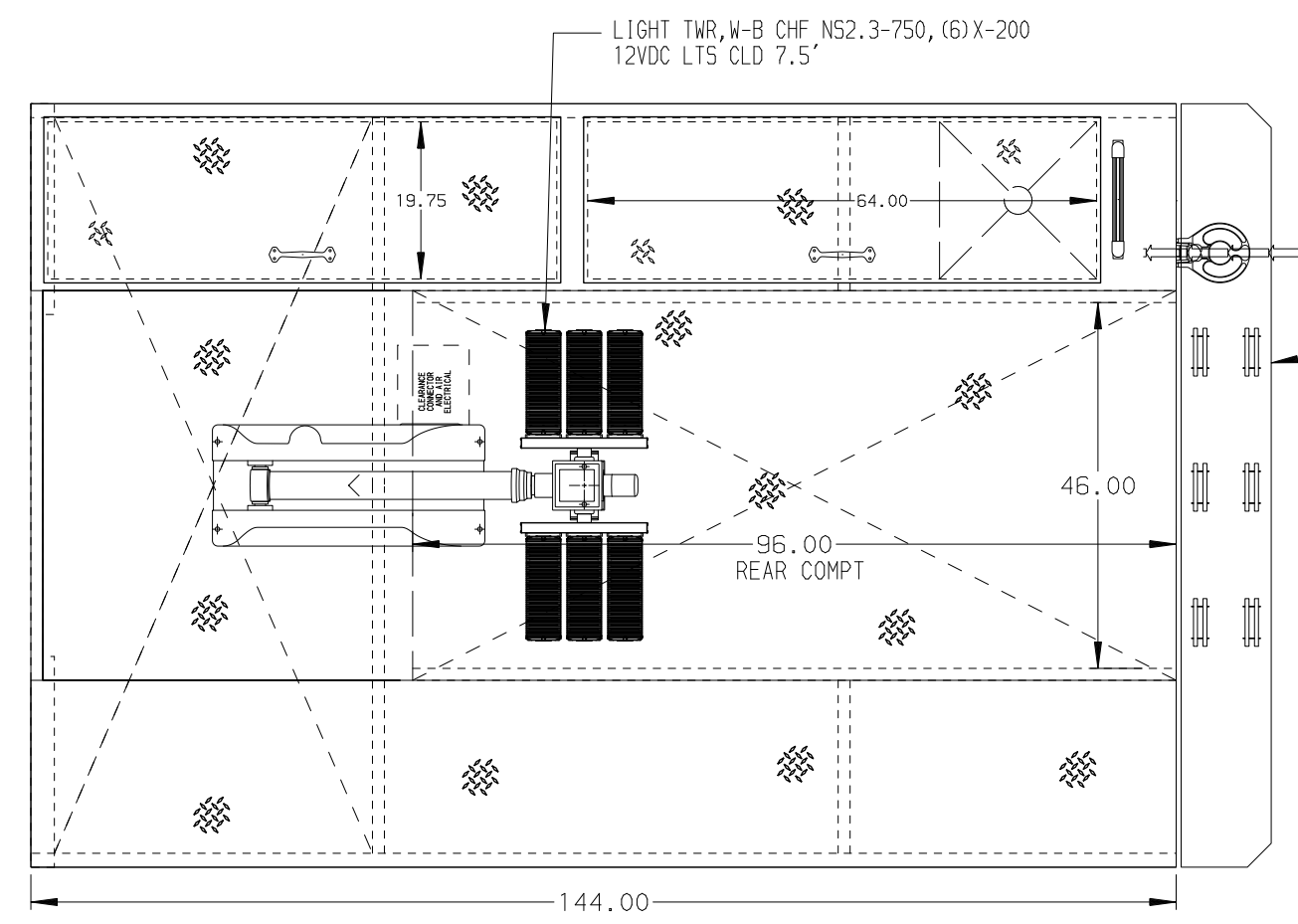
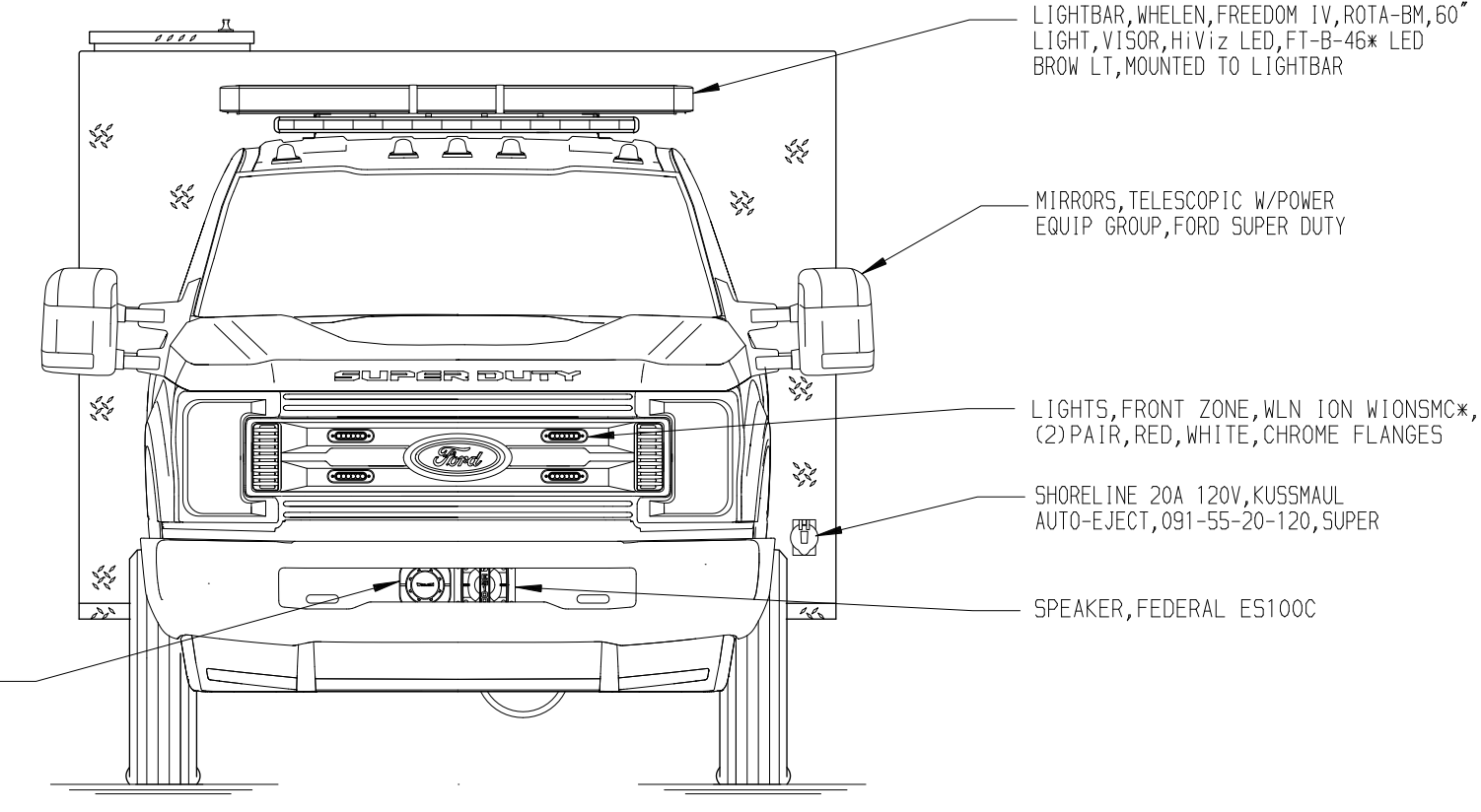
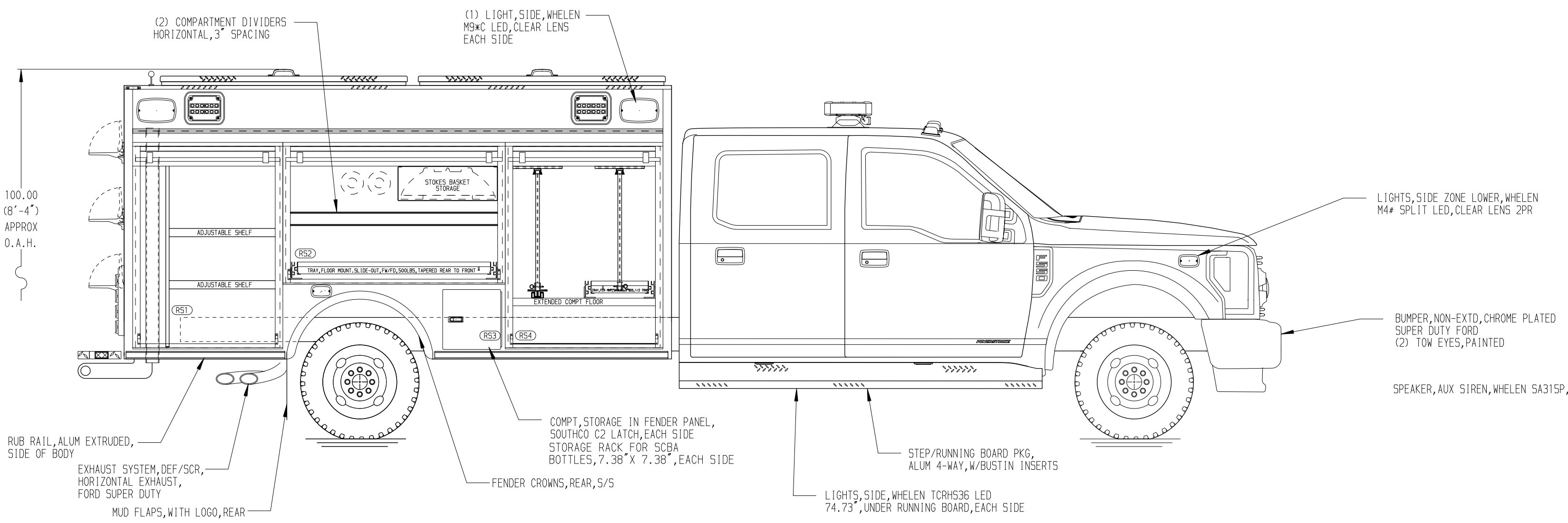


**RIGHT SIDE COMPARTMENTS CONTAIN THE FOLLOWING:**

- COMPARTMENT RS1 CONTAINS:**
- (2) SHELVES, ADJUSTABLE, 500LB CAP. STANDARD DEPTH COMPT
  - (1) HOPPER, OIL DRY ABSORBENT, ROOF HATCH, THRU FLOOR, 125LB CAPACITY
  - (1) COMPARTMENT DIVIDER, VERTICAL
- COMPARTMENT RS2 CONTAINS:**
- (1) TRAY, FLOOR MOUNTED, SLIDE OUT, FW/FD, 500LB HEIGHT TAPERED REAR TO FRONT
  - (2) RACK, SPARE SCBA BOTTLES, SHELF STYLE, 7.5' X 7.5'
  - (1) RACK, STOKES BASKET STORAGE 84" X 25" X 10"
  - (2) COMPARTMENT DIVIDER, HORIZONTAL
- COMPARTMENT RS4 CONTAINS:**
- (1) TOOLBOARD, ADDED TO SLIDE-OUT TRAY, 1/2 DEPTH, TRANSVERSE/STD, TRAY
  - (1) TRAY FLOOR MOUNTED SLIDE OUT, 500LB, 3" SIDES, 1/2 TRANS
  - (1) EXTENDED COMPARTMENT FLOOR BOLT IN STYLE
  - (1) TOOLBOARD, SLIDE-OUT, 1/2 DEPTH W/GEN DEVICE TRACK BOARD APPROX 6" FROM LEFT COMPT WALL

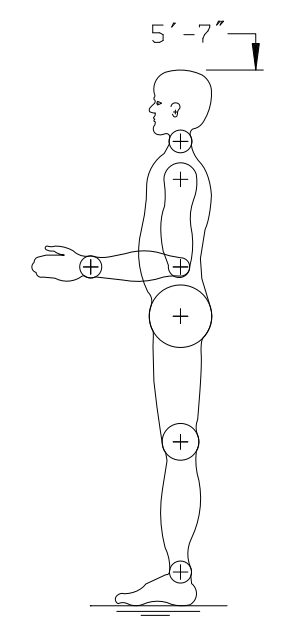
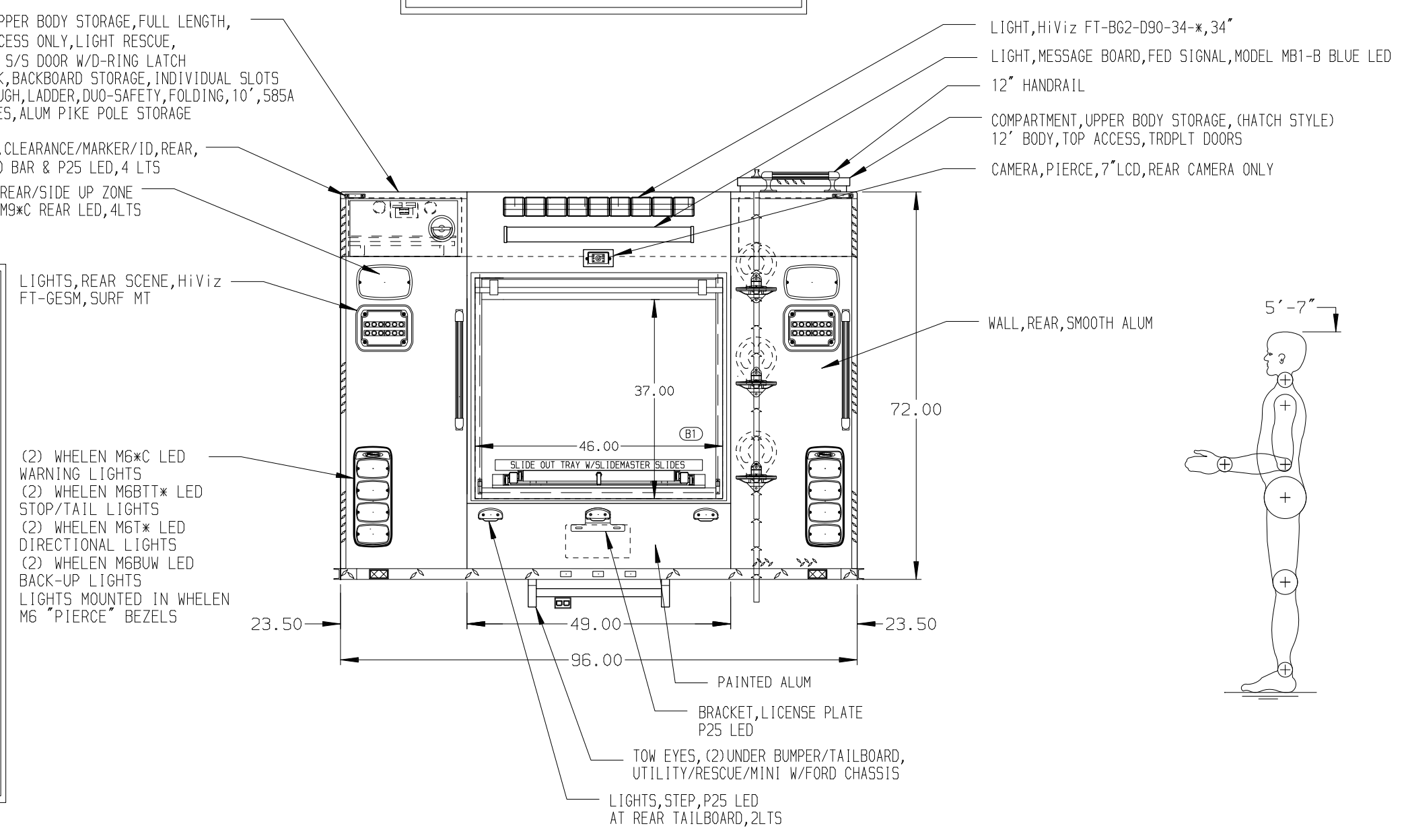
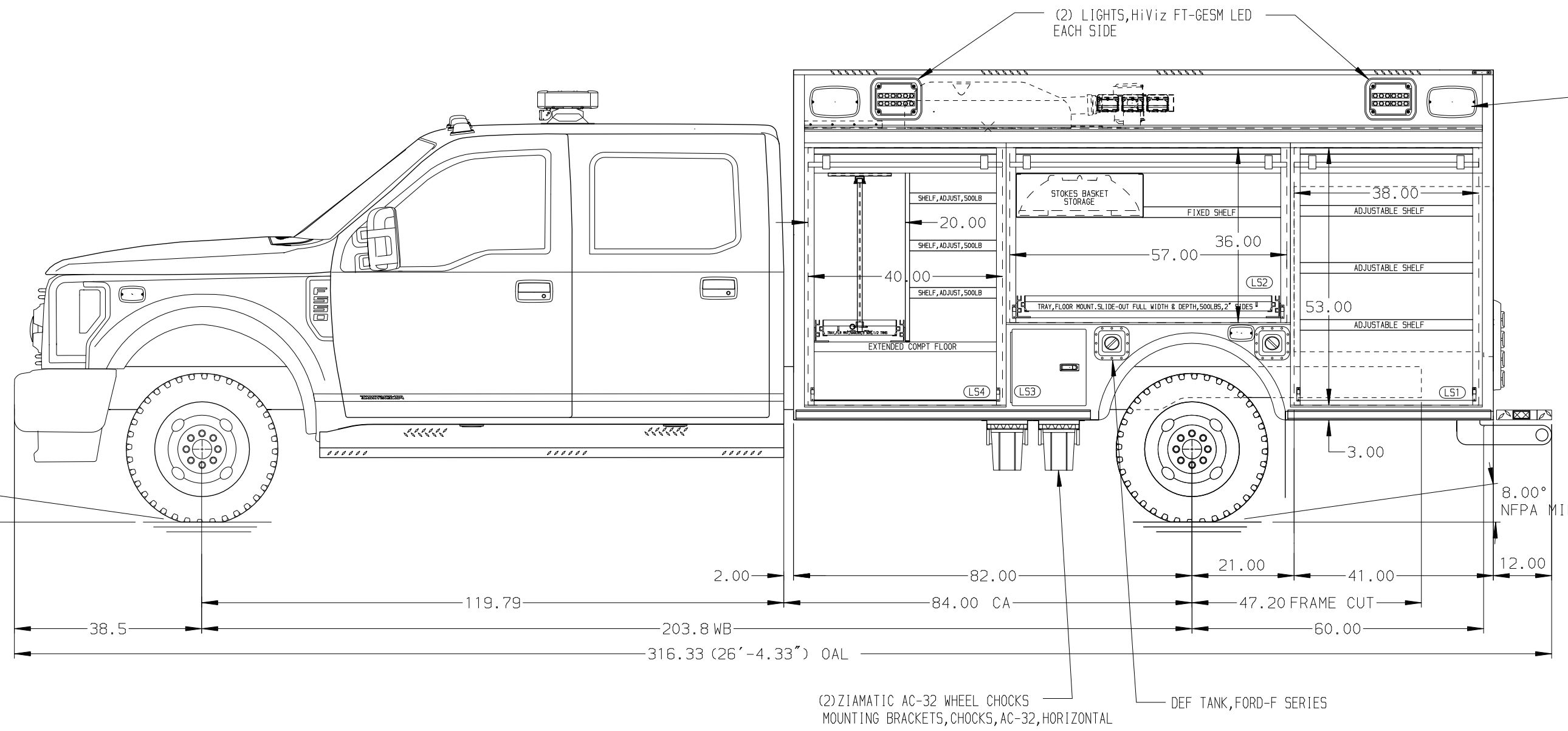


**REAR COMPARTMENT B1 CONTAINS THE FOLLOWING:**

- (1) TRAY, FLOOR MOUNTED, 1-WAY, 1000 LBS, 2" SIDES, SLIDEMASTER, 96"

**LEFT SIDE COMPARTMENTS CONTAIN THE FOLLOWING:**

- COMPARTMENT LS1 CONTAINS:**
- (3) SHELVES, ADJUSTABLE, 500LB CAP. STANDARD DEPTH COMPT
- COMPARTMENT LS2 CONTAINS:**
- (1) TRAY, SLIDE OUT, TWO WAY, TRANSVERSE COMPT, ADJUST HEIGHT, 500 LB CAPACITY
  - (1) RACK, STOKES BASKET STORAGE 84" X 25" X 10"
  - (1) SHELF, FIXED, STD DEPTH
- COMPARTMENT LS4 CONTAINS:**
- (1) TOOLBOARD, ADDED TO SLIDE-OUT TRAY, 1/2 DEPTH, TRANSVERSE/STD, TRAY
  - (1) TRAY FLOOR MOUNTED SLIDE OUT, 500LB, 3" SIDES, 1/2 TRANS
  - (1) EXTENDED COMPARTMENT FLOOR BOLT IN STYLE
  - (3) SHELVES, ADJUSTABLE, 500LB CAP. 1/2 DEPTH TRANS COMPT
  - (1) COMPARTMENT DIVIDER, VERTICAL



**ALUMINUM BODY**

**NOTE**  
DIMENSIONS SHOWN ARE APPROXIMATE AND ARE SUBJECT TO MINOR DEVIATIONS AS MAY OCCUR OR BE NECESSARY IN CONSTRUCTION. MINOR DETAILS NOT SHOWN.

		JOB NO.	34876
		DATE	SCALE 1:24
TITLE	12' RESCUE, NON-WALK-IN	04SEP20	DRAWN BY JLA
FOR	NEW HARTFORD NEW HARTFORD, NEW YORK	9SEP20	CHK'D BY RWI
DRWG. NO.	34876AD	SHEET NO. 1 OF 1	SHEET SIZE D

REV.	DATE	BY	CHK'D	CHASSIS DATA
19FEB21	AJA	AJA		CHASSIS DATA
12FEB21	JLA	AJA		CHASSIS DATA
07JAN21	JLA	AJA		FORD
08OCT20	JLA	RWI		MODEL F-550 4X4