

RIGHT SIDE COMPARTMENTS CONTAIN THE FOLLOWING:

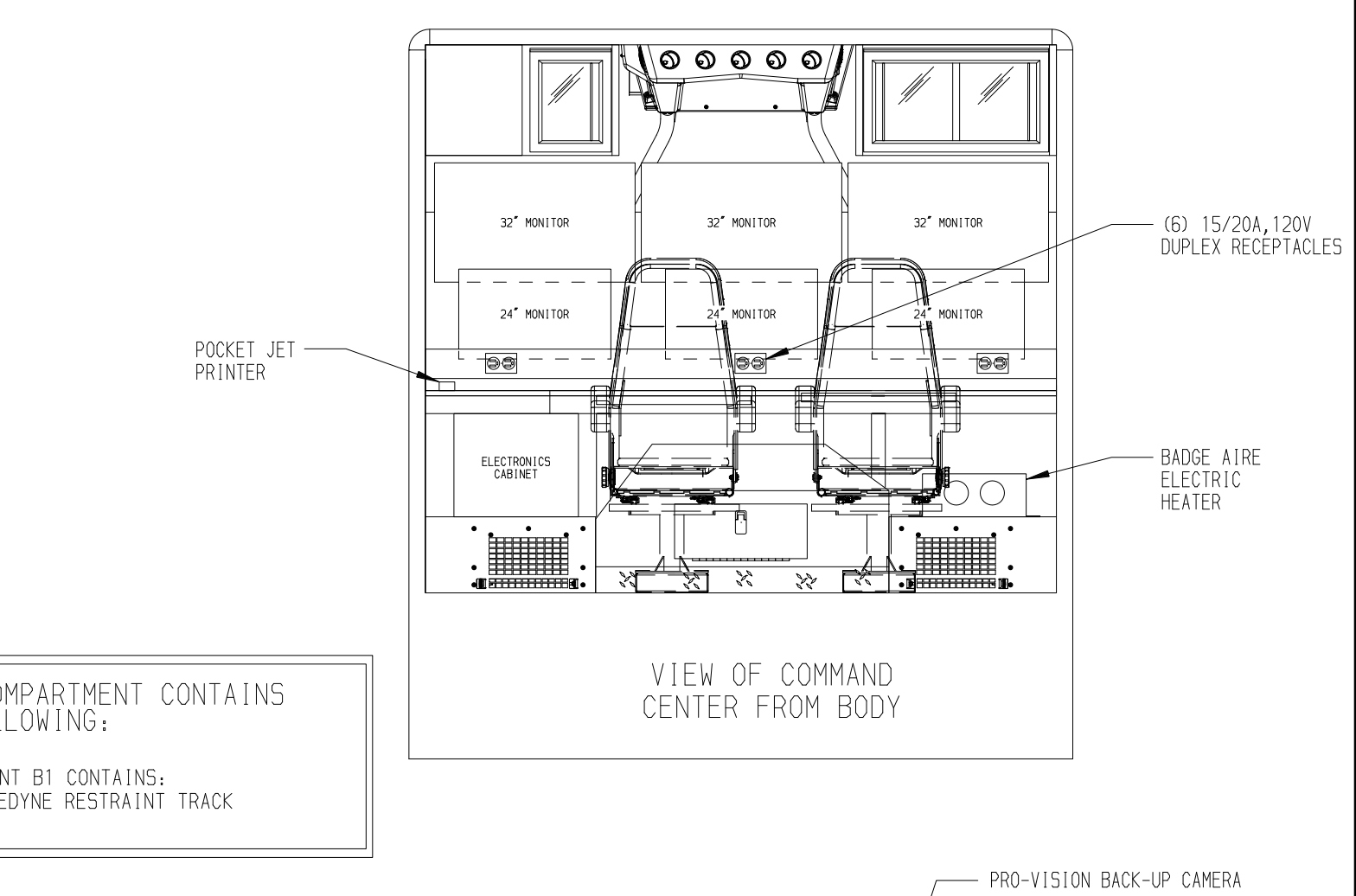
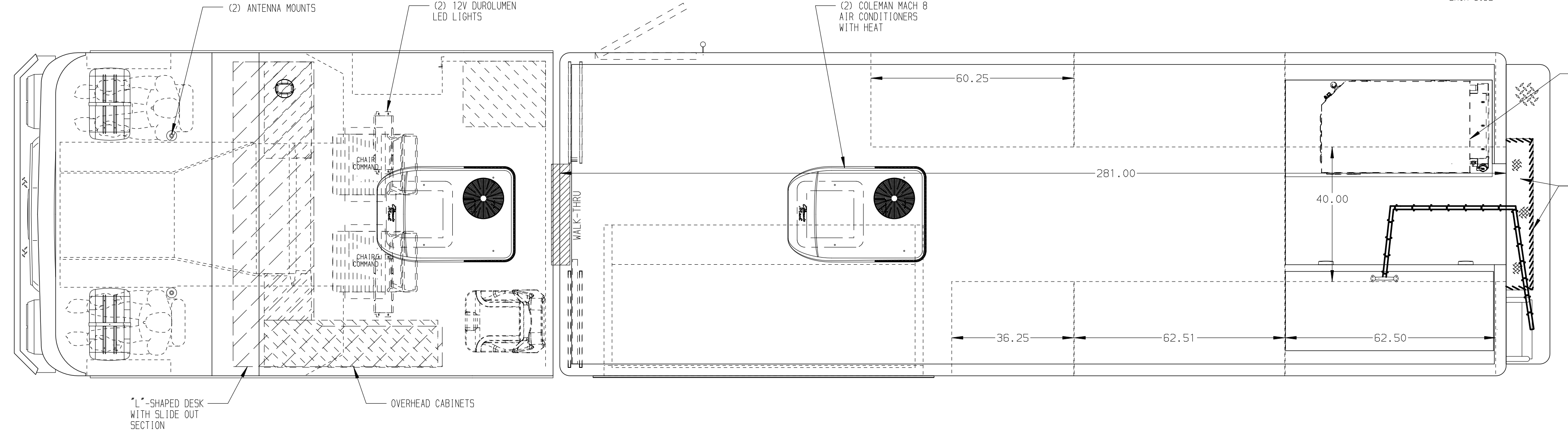
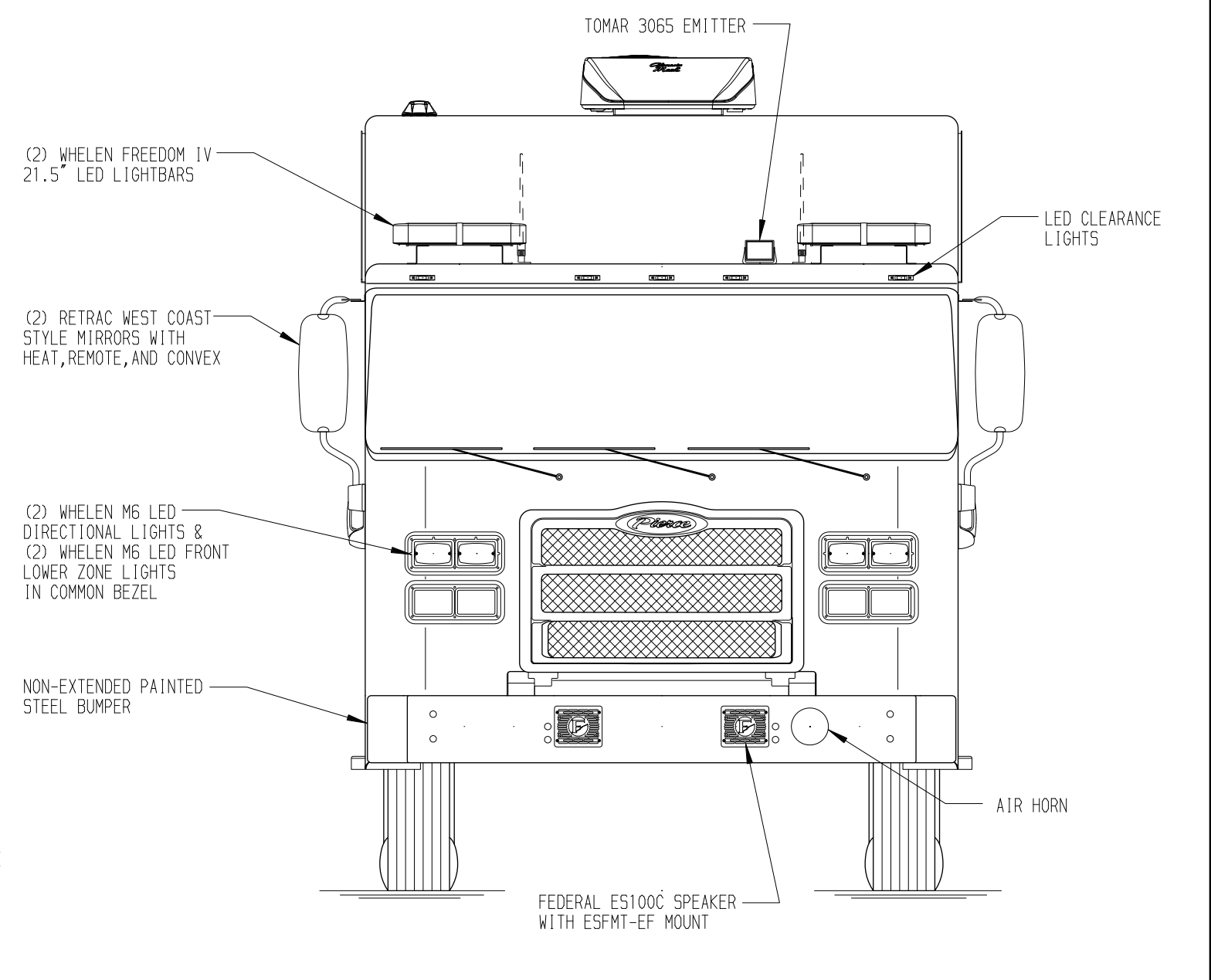
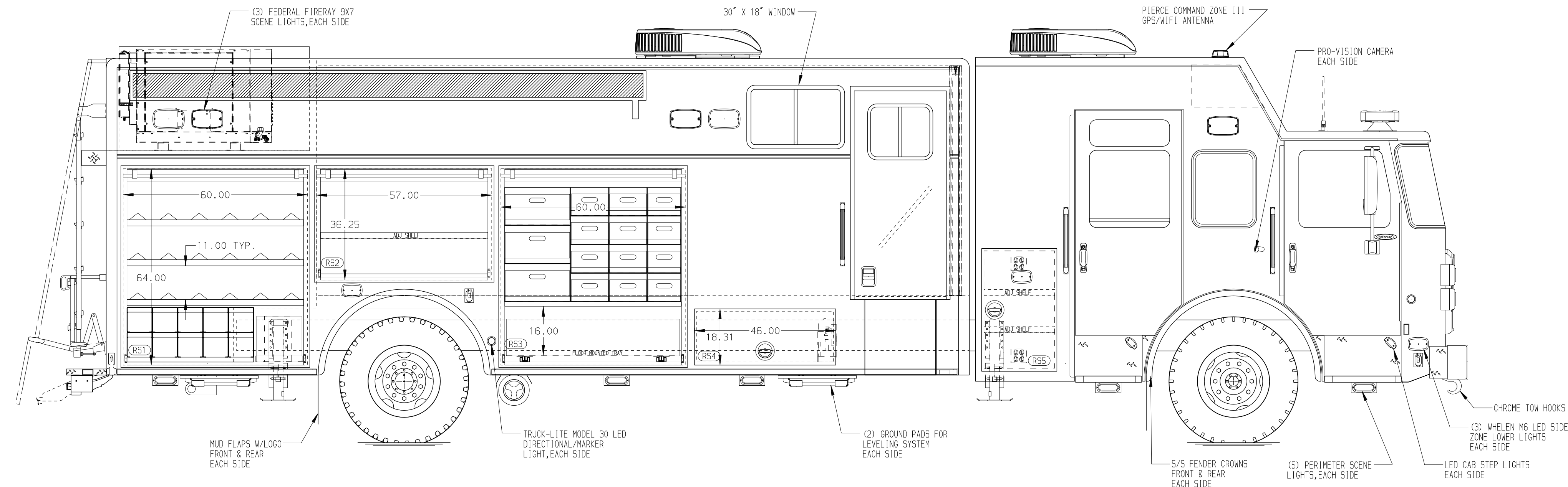
COMPARTMENT R51 CONTAINS:
 - (1) RACK FOR 10 SCBA BOTTLES
 - (1) CYLINDER STORAGE RACK FOR 15 BOTTLES
 - (1) POLY TOOL BOX

COMPARTMENT R52 CONTAINS:
 - (1) STD DEPTH ADJ SHELF
 - 1" LIP ON COMPARTMENT FLOOR

COMPARTMENT R53 CONTAINS:
 - (1) RACK FOR 15 TOOL BOXES
 - (15) POLY TOOL BOXES
 - (1) HORIZONTAL FLOOR EXTENSION
 - (1) FLOOR MOUNTED TRAY W/SPECIAL SIDES

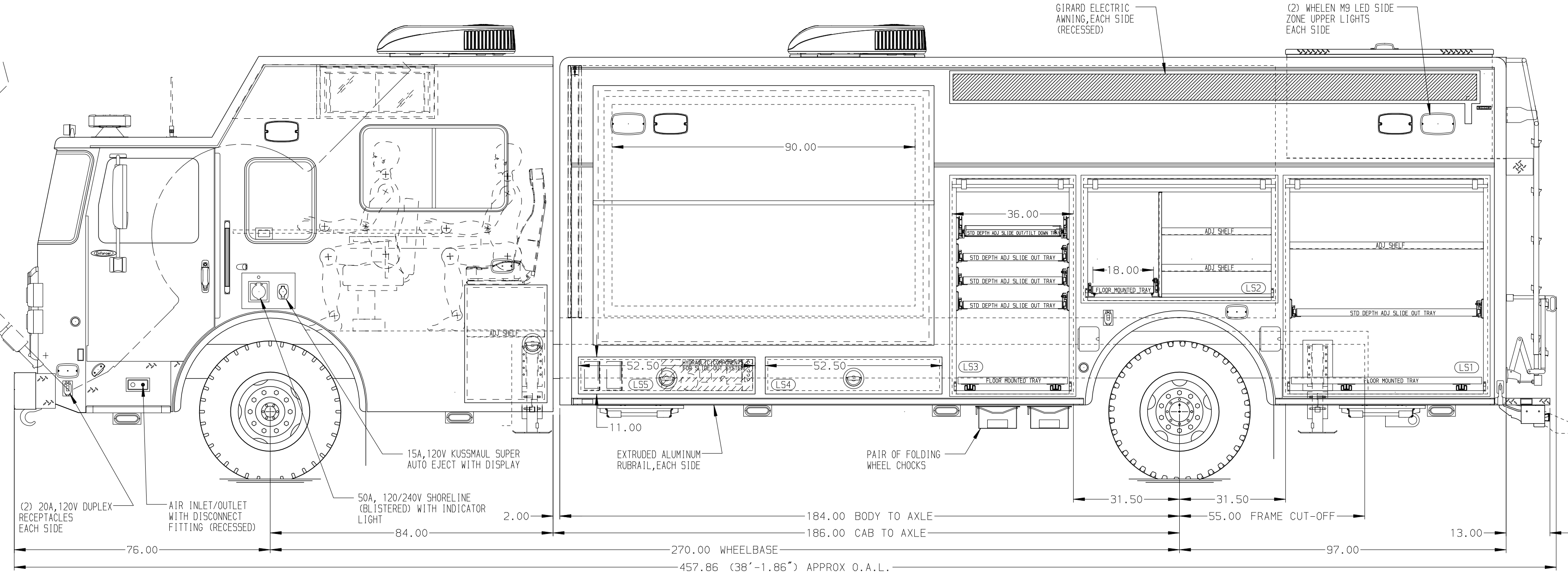
COMPARTMENT R54 CONTAINS:
 - (1) CAB LIFT CONTROLLER
 - (1) VOGEL LUBE RESERVOIR

COMPARTMENT R55 CONTAINS:
 - (2) 15/20A, 120V 4-PLACE RECEPTACLES
 - (2) STD DEPTH ADJ SHELVES



REAR COMPARTMENT CONTAINS THE FOLLOWING:

COMPARTMENT B1 CONTAINS:
 - (1) KINEDYNE RESTRAINT TRACK



LEFT SIDE COMPARTMENTS CONTAIN THE FOLLOWING:

COMPARTMENT LS1 CONTAINS:
 - (1) STD DEPTH ADJ SHELF
 - (1) STD DEPTH ADJ SLIDE OUT TRAY
 - (1) FLOOR MOUNTED TRAY

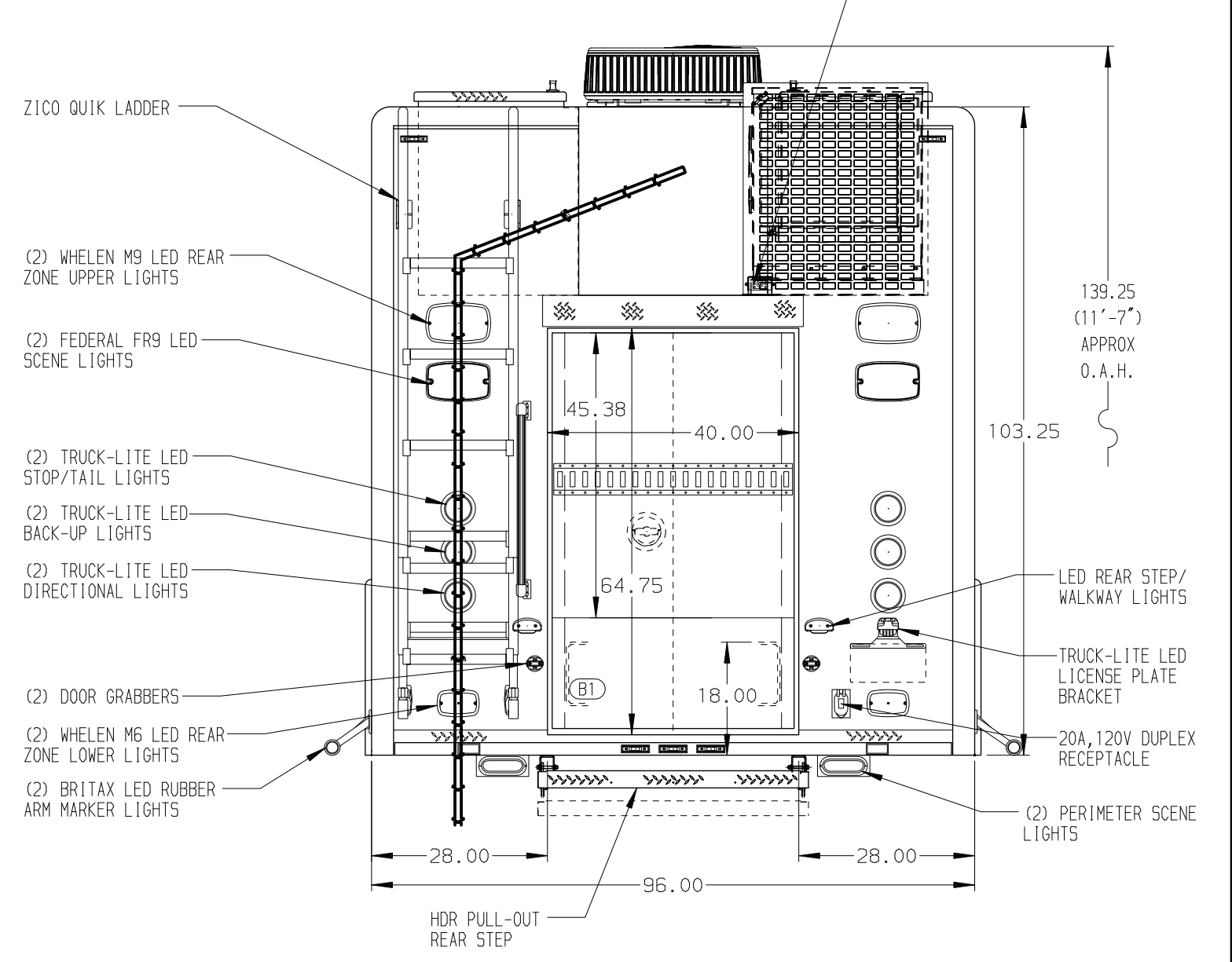
COMPARTMENT LS2 CONTAINS:
 - (2) STD DEPTH ADJ SHELVES
 - (1) VERTICAL COMPARTMENT DIVIDER
 - (1) STD DEPTH FLOOR MOUNTED TRAY WITH SIDE SLIDES
 - 1" LIP ON COMPARTMENT FLOOR

COMPARTMENT LS3 CONTAINS:
 - (3) STD DEPTH ADJ SLIDE OUT TRAYS
 - (1) STD DEPTH ADJ SLIDE OUT/TILT TRAY
 - (1) FLOOR MOUNTED TRAY

COMPARTMENT LS4 CONTAINS:

COMPARTMENT LS5 CONTAINS:
 - HYDRAULIC COMPONENTS FOR SLIDE OUT ROOM
 - (2) PROGRESSIVE DYNAMICS PD2180 POWER CONVERTERS/BATTERY CHARGERS

COMPARTMENT LS6 CONTAINS:
 - Senco PC1010 AIR COMPRESSOR
 - (1) STD DEPTH ADJ SHELF



NOTE
 DIMENSIONS SHOWN ARE APPROXIMATE AND ARE SUBJECT TO MINOR DEVIATIONS AS MAY OCCUR OR BE NECESSARY IN CONSTRUCTION. MINOR DETAILS NOT SHOWN.

NOTES:
 1. SETCOM 7-PERSON INTERCOM SYSTEM
 2. BIG FOOT AUTOMATIC LEVELING SYSTEM
 3. LED STRIP LIGHTS LOCATED IN ALL SIDE BODY COMPARTMENTS
 4. TURTLE TILE MATTING ON ALL SHELVES AND TRAYS AND COMPARTMENT FLOORS WITH OUT TRAYS
 5. (1) 30A, 120V TWIST LOCK RECEPTACLE BEHIND DRIVER'S SEAT

MAXIMUM O.A.H. 11'-7"

CLEAR DOOR WIDTH KEY		CHASSIS DATA
AMOR ROLL UP DOORS:	-2 1/4"	17AUG20 DHE AZU MAKE
CORTITE ROLL UP DOORS:	-2 1/2"	16JUN20 DHE AZU PIERCE
PIERCE DOUBLE LAP DOORS:	-4 1/4"	27APR20 DHE AZU MODEL
PIERCE LIFT-UP LAP DOORS:	-1 1/2"	EN8424
(EX: 60" F-F - 2 1/4" = 57 3/4" CLEAR) (F-F) = FRAME TO FRAME		

		JOB NO.	34873
		SCALE	DATE
		1:24	
		DRAWN BY	13APR20
		DHE	
		CHECKED BY	14APR20
		AZU	
		SHEET SIZE	SHEET NO.
		D	1 OF 1
TITLE		HEAVY DUTY RESCUE WALKIN/NON-WALKIN COMBO	
FOR		MILWAUKEE FIRE DEPARTMENT MILWAUKEE, WI	
DWG NO.		34873AD-SH1	
		BRETT KRUEGER	