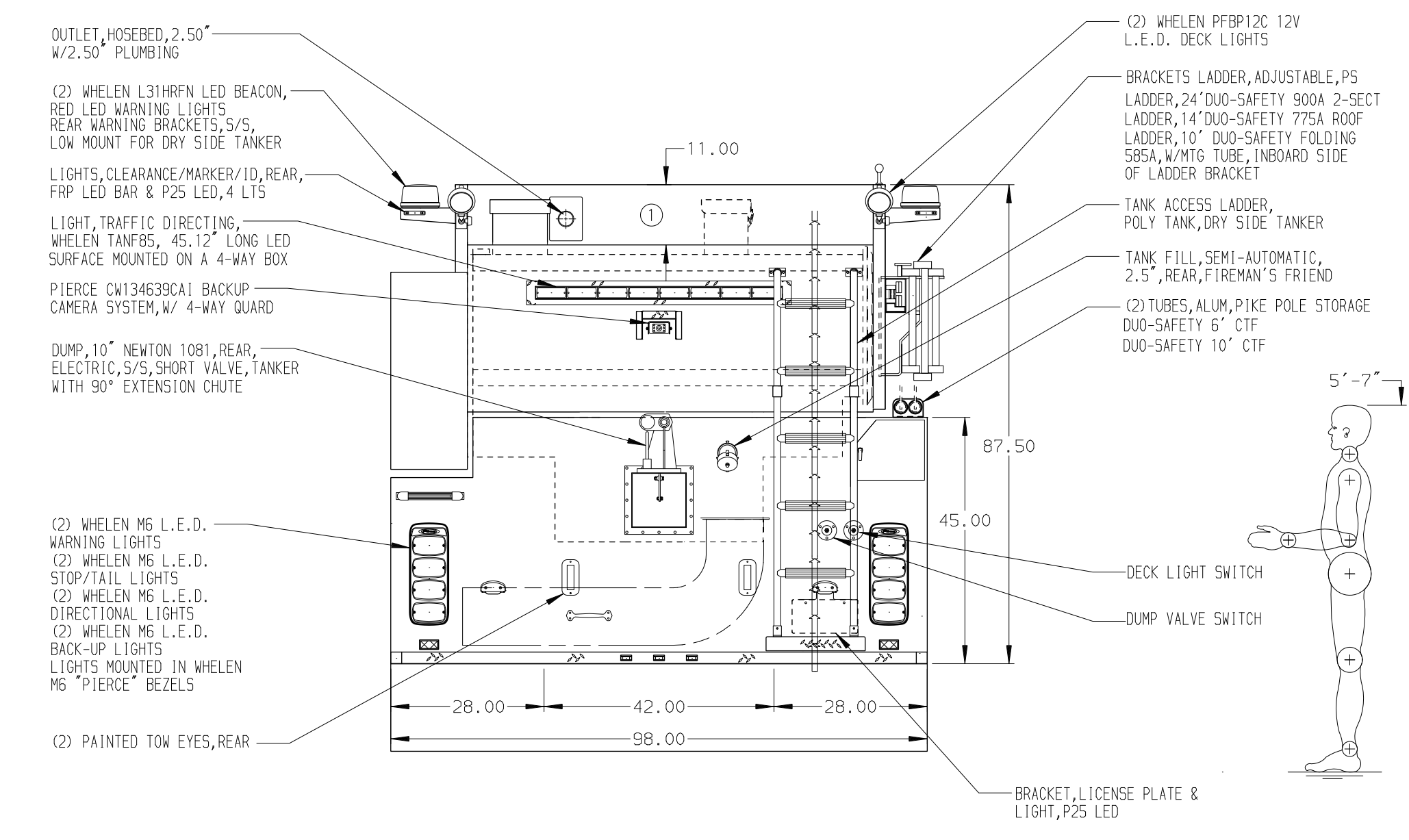
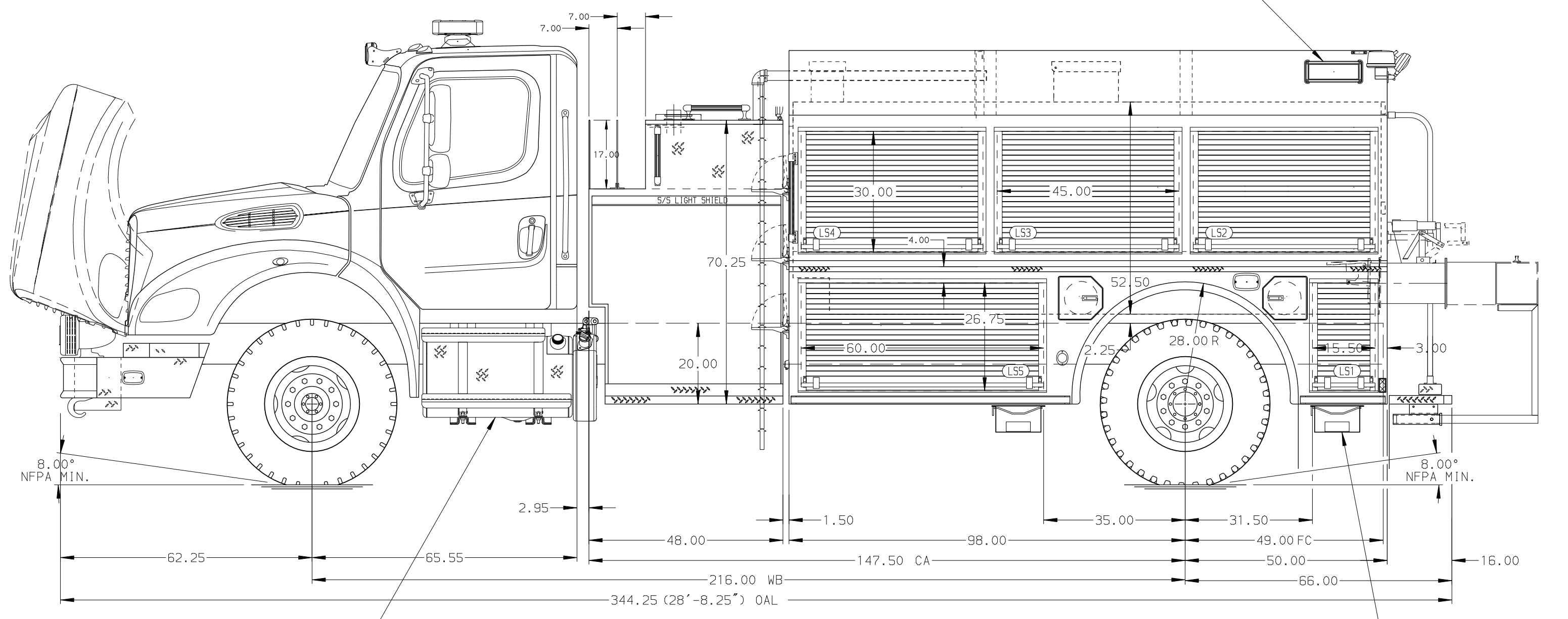


HOSEBED CAPACITIES
 ① 200' OF 2.50" D.J. POLY HOSE



ALUMINUM BODY

NOTE
 DIMENSIONS SHOWN ARE APPROXIMATE AND ARE SUBJECT TO MINOR DEVIATIONS AS MAY OCCUR OR BE NECESSARY IN CONSTRUCTION. MINOR DETAILS NOT SHOWN.

REV	DATE	BY	CH	CHASSIS DATA
18AUG20	JLA	DDR		MAKE
29JUN20	RHU	DDR		FL
01MAY20	CRH	RW1		MODEL
				M2-112

<p>MANUFACTURING INC. BRADENTON, FLORIDA</p>		JOB NO.	34852
		SCALE	DATE
TITLE	1500-D-1480P, 20 GAL FOAM, 148" HIGH-SIDE DRYSIDE BODY 48" SIDE CONTROL, (2) 1.5" CROSSLAYS, RS LADDER BRACKET	DRAWN BY	CRH
FOR	BROSVILLE VOLUNTEER FIRE DEPARTMENT DANVILLE, VIRGINIA	CHECKED BY	RWI
DWG NO.	34852AD	SHEET SIZE	D
		SHEET NO.	1 OF 1