

RIGHT SIDE COMPARTMENTS CONTAIN THE FOLLOWING:

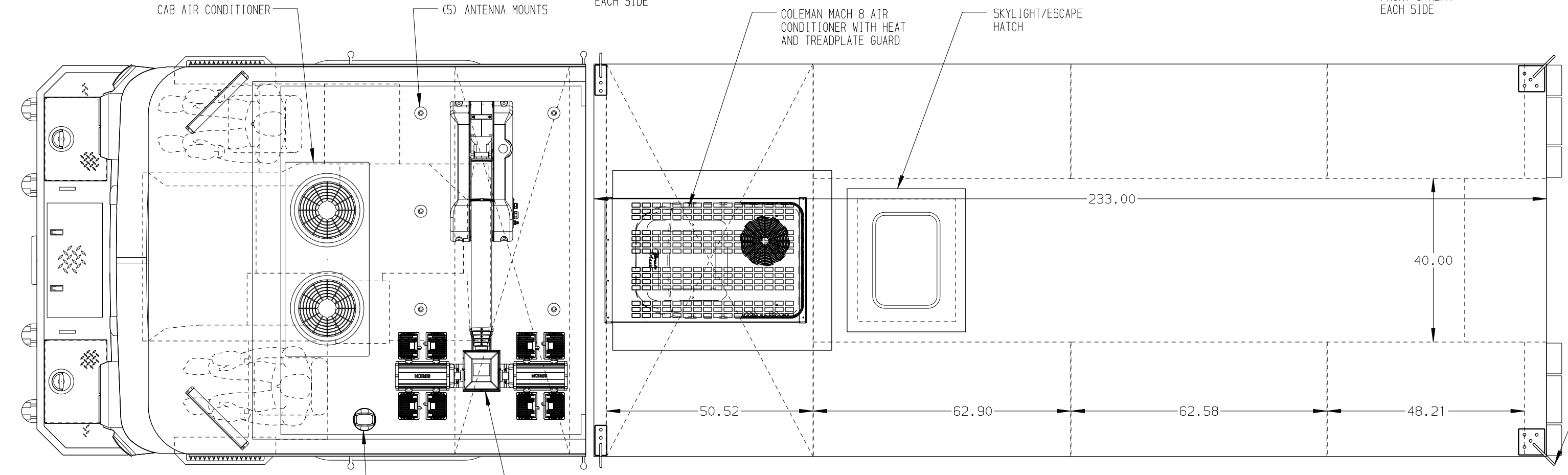
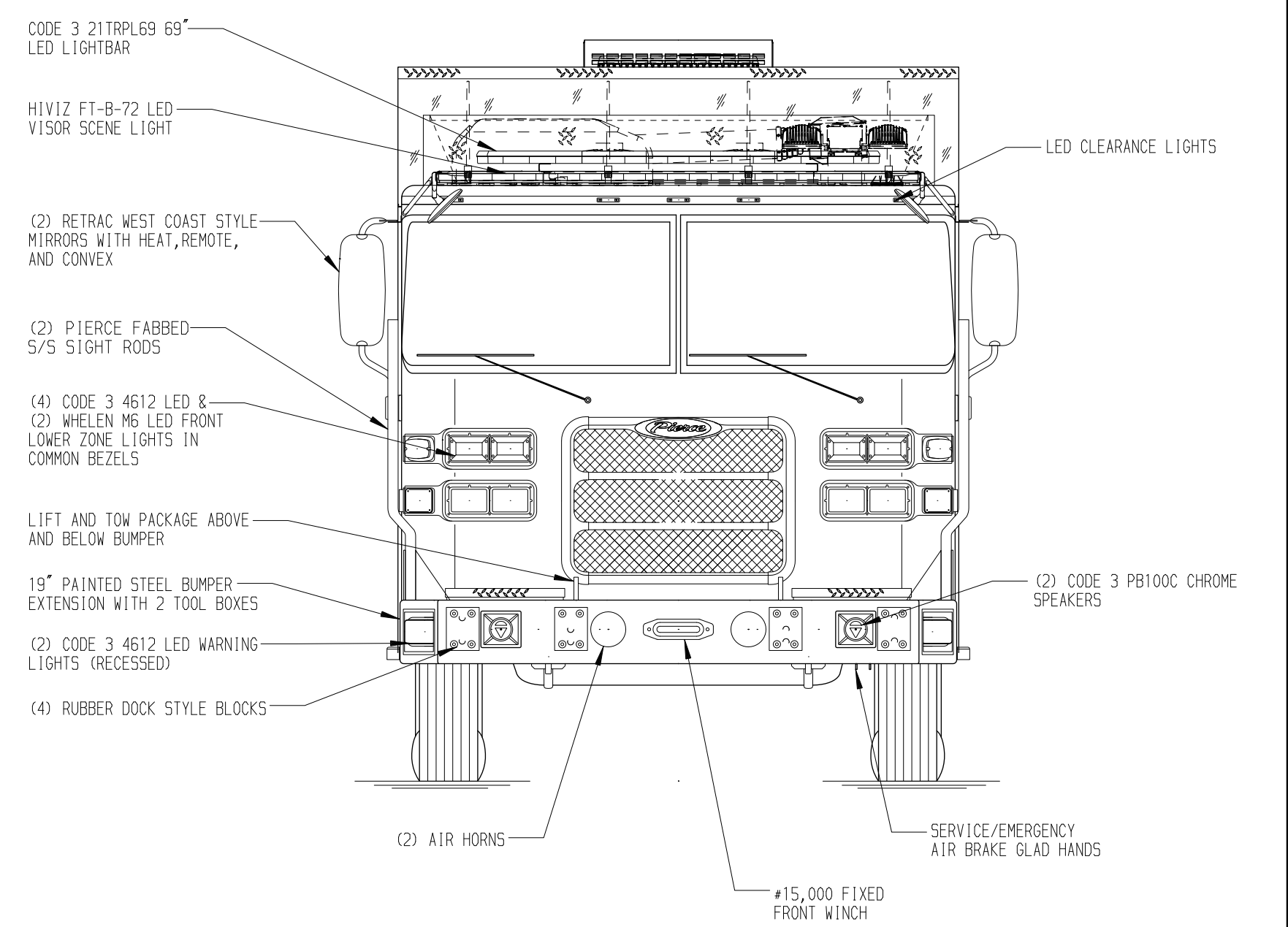
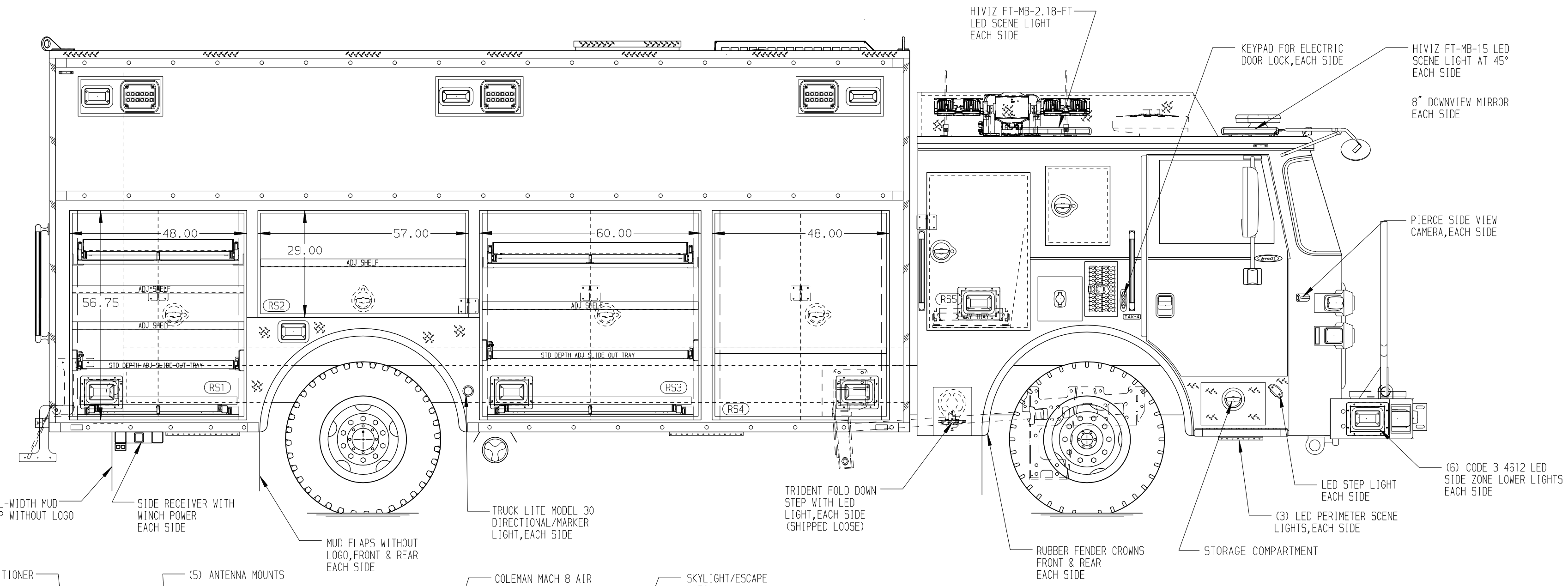
COMPARTMENT RS1 CONTAINS:
 - (2) STD DEPTH ADJ SHELVES
 - (1) STD DEPTH ADJ SLIDE OUT TRAY
 - (1) STD DEPTH ADJ SLIDEMASTER TILT TRAY
 - (1) FLOOR MOUNTED SLIDEMASTER TRAY
 - (1) 15/20A, 120V DUPLEX RECEPTACLE

COMPARTMENT RS2 CONTAINS:
 - (1) STD DEPTH ADJ SHELF
 -

COMPARTMENT RS3 CONTAINS:
 - (1) STD DEPTH ADJ SHELF
 - (1) STD DEPTH ADJ SLIDE OUT TRAY
 - (1) STD DEPTH ADJ SLIDEMASTER TILT TRAY
 - (1) FLOOR MOUNTED SLIDEMASTER TRAY

COMPARTMENT RS4 CONTAINS:
 - (1) 2-WAY FLOOR MTD SLIDEMASTER TRAY
 - (1) HORIZONTAL FLOOR EXTENSION

COMPARTMENT RS5 CONTAINS:
 - (1) FLUID CHECK ACCESS DOOR



LEFT SIDE COMPARTMENTS CONTAIN THE FOLLOWING:

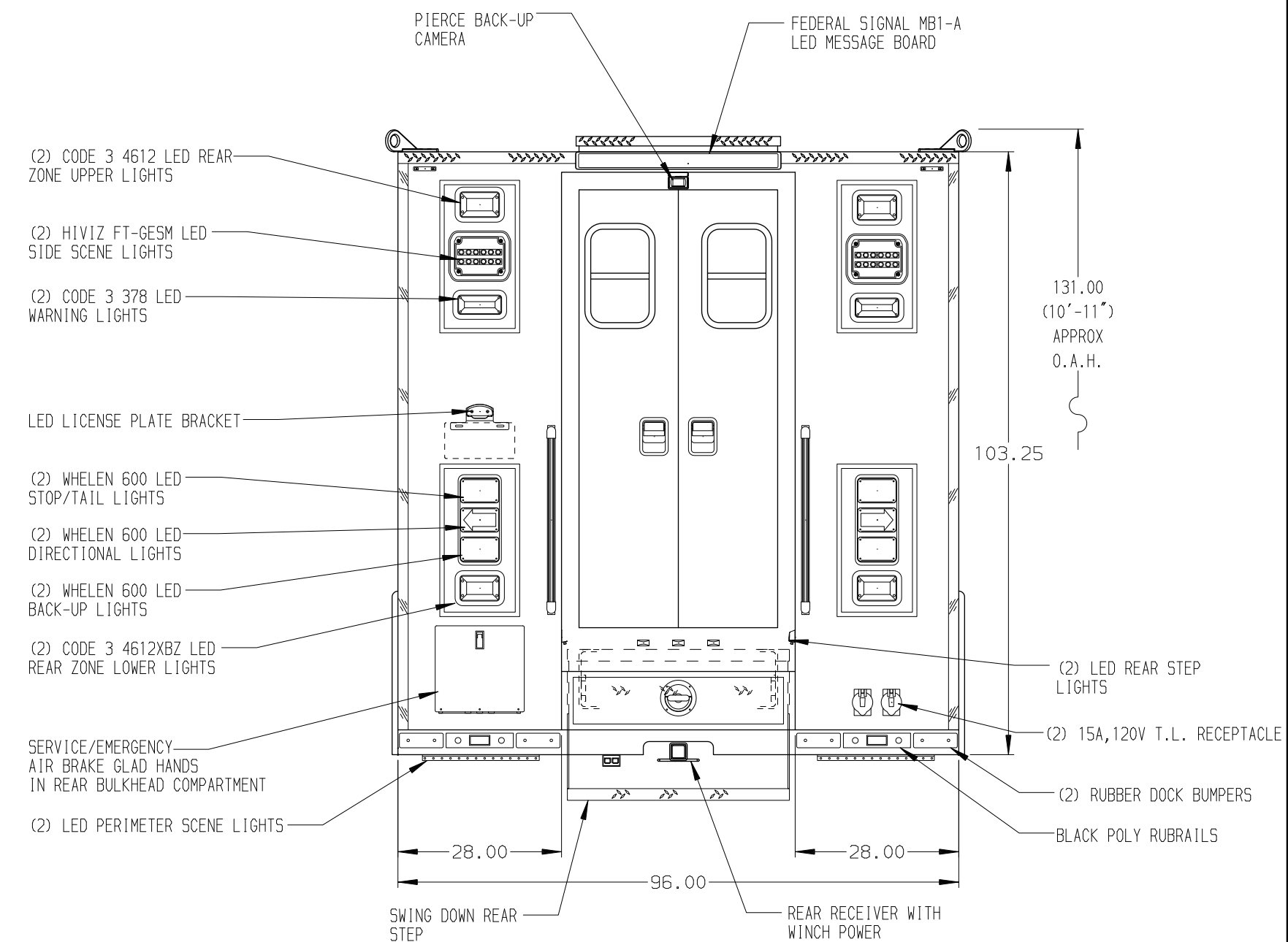
COMPARTMENT LS1 CONTAINS:
 - (2) STD DEPTH ADJ SHELVES
 - (1) STD DEPTH ADJ SLIDE OUT TRAY
 - (1) STD DEPTH ADJ SLIDEMASTER TILT TRAY
 - (1) FLOOR MOUNTED SLIDEMASTER TRAY
 - (1) POWER DISTRIBUTION BOX
 - (1) 15/20A, 120V DUPLEX RECEPTACLE

COMPARTMENT LS2 CONTAINS:
 - (1) STD DEPTH ADJ SHELF
 - (1) STD DEPTH ADJ SLIDEMASTER TILT TRAY

COMPARTMENT LS3 CONTAINS:
 - (1) STD DEPTH ADJ SHELF
 - (1) STD DEPTH ADJ SLIDE OUT TRAY
 - (2) STD DEPTH ADJ SLIDEMASTER TILT TRAYS
 - (1) FLOOR MOUNTED SLIDEMASTER TRAY

COMPARTMENT LS4 CONTAINS:
 - (1) 3/4 DEPTH FLOOR MTD SLIDEMASTER TRAY
 - (1) CIRCUIT BREAKER PANEL
 - (1) GENERATOR METER PANEL
 - (1) NIGHTSCAN CONTROLLER
 - (1) 30A, 240V T.L. RECEPTACLE
 - (1) FLOOR MOUNTED SLIDEMASTER TRAY
 - (1) HORIZONTAL FLOOR EXTENSION

COMPARTMENT LS5 CONTAINS:
 - (1) 2-WAY FLOOR MOUNTED SLIDE OUT TRAY



NOTE
 DIMENSIONS SHOWN ARE APPROXIMATE AND ARE SUBJECT TO MINOR DEVIATIONS AS MAY OCCUR OR BE NECESSARY IN CONSTRUCTION. MINOR DETAILS NOT SHOWN.

- NOTES:**
- ONAN 30kW SINGLE PHASE PTO DRIVEN GENERATOR LOCATED BETWEEN THE FRAME RAILS
 - WARN #9,000 PORTABLE RECEIVER STYLE WINCH
 - S/S SCUFFPLATES ON CAB DOOR JAMBS
 - FLOOR IN CAB TO BE ALUMINUM TREADPLATE
 - BRUSHED S/S SCUFFPLATE ON FRONT BODY AND REAR BODY CORNERS
 - ALUMINUM TREADPLATE ON REAR FENDER PANELS
 - S/S HASPS FOR LOCKS ON CAB AND BODY LAP DOORS
 - H1V1Z LED LIGHTS IN ALL BODY AND CAB COMPARTMENTS
 - 15/20A, 120V DUPLEX RECEPTACLE LOCATED BEHIND THE DRIVER'S SEAT

MAXIMUM O.A.H. 11'-0"
 STAINLESS STEEL BODY MAXIMUM O.A.L. 33'-9"
 (SIDE ROLL & FRONTAL IMPACT PROTECTION)

NOTE:
 LAP DOORS HAVE BEEN SHOWN IN HIDDEN LINES TO CLEARLY IDENTIFY THE EQUIPMENT IN EACH COMPARTMENT. DASHED LINES ON SIDES ARE DOORS IN OPEN POSITION

CLEAR DOOR WIDTH KEY		REV	DATE	BY	CH	MODEL	MAKE	CHASSIS DATA	TITLE
AMORR ROLL UP DOORS:	-2 1/4"	01DEC20	DHE	CDK		AX4600	PIERCE		HEAVY DUTY RESCUE WALKIN
CORTITE ROLL UP DOORS:	-2 1/2"	23OCT20	DHE	CDK					
PIERCE DOUBLE LAP DOORS:	-4 1/4"	16OCT20	DHE	CDK					
PIERCE LIFT-UP LAP DOORS:	-1 1/2"	08SEP20	DHE	CDK					
(EX: 60" F-F - 2 1/4" = 57 3/4" CLEAR)		03SEP20	PDE	CDK					
(F-F) = FRAME TO FRAME									

		JOB NO.	34849 01802
		SCALE	DATE
MANUFACTURING INC.		DRAWN BY	DHE
THE PORT AUTHORITY OF NY & NJ NEW YORK, NY		CHECKED BY	CDK
RAY MULLER		SHEET SIZE	SHEET NO.
DWG NO. 34849AD-SH1		1 OF 1	