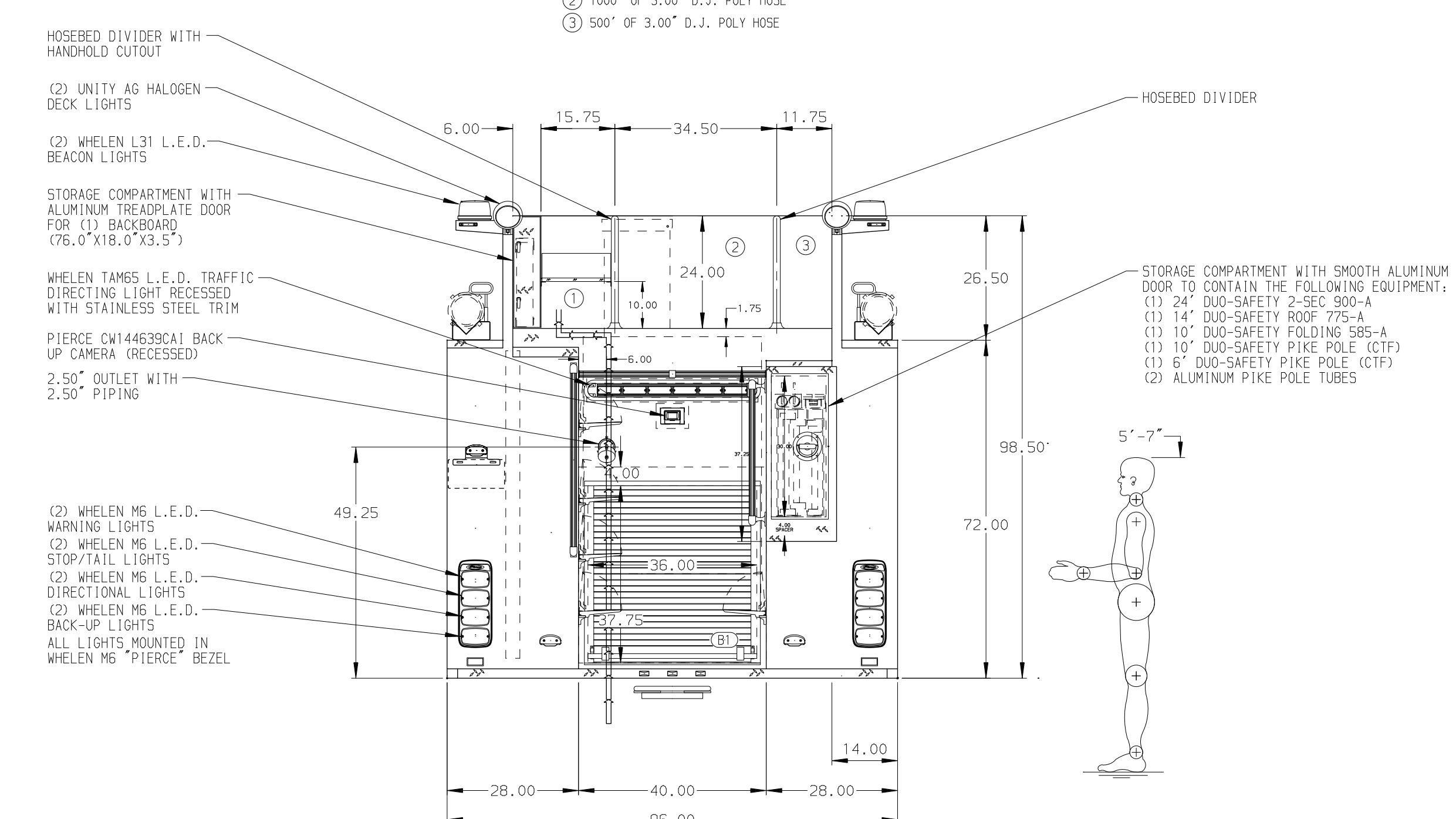


- HOSEBED CAPACITIES
- ① 212' OF 3.00" D.J. POLY HOSE
 - ② 1000' OF 5.00" D.J. POLY HOSE
 - ③ 500' OF 3.00" D.J. POLY HOSE



ALUMINUM BODY

NOTE
DIMENSIONS SHOWN ARE APPROXIMATE AND ARE SUBJECT TO MINOR DEVIATIONS AS MAY OCCUR OR BE NECESSARY IN CONSTRUCTION. MINOR DETAILS NOT SHOWN.

- 1. BATTERY CHARGER LOCATED BEHIND DRIVER SEAT
- 2. BATTERY CHARGER INDICATOR LOCATED ON DRIVER SIDE SEAT REAR
- 3. ONE FULL WIDTH/DEPTH ADJUSTABLE SHELF WITH SIDES IN COMPARTMENT-L52,R51,R53,B1; TWO IN L51,L53
- 4. ONE FLOOR MOUNTED FULL WIDTH/DEPTH SLIDE-OUT TRAY WITH SIDES IN COMPARTMENT-L51, R51,R53
- 5. ONE SWING-OUT TOOLBOARD WITH PEGBOARD PATTERN IN COMPARTMENT-R52
- 6. PEGBOARD WITH TRACKS ON REAR WALL IN COMPARTMENT-R52
- 7. CIRCUIT BREAKER PANEL LOCATED IN COMPARTMENT-L53
- 8. ONE 120V DUPLEX RECEPTACLE IN CAB
- 9. ONE 120V DUPLEX RECEPTACLE IN COMPARTMENT-L52,L53

REV	DATE	BY	CH	ENFORCER
24APR20	5AM	CW1		
26MAR20	BST	CWQI		

		JOB NO.	34845-01-02
		SCALE	DATE
TITLE	2000-D-750P, 152" PUMPER BODY, DELUGE, GENERATOR LADDERS BETWEEN BODY AND TANK, (2) CROSSLAYS	DRAWN BY	BST
FOR	CITY OF ROCHESTER HILLS ROCHESTER HILLS, MI	CHECKED BY	KOU
DWG NO.	34845AD	SHEET SIZE	SHEET NO.
		D	1 OF 1