

**DRIVER'S SIDE COMPARTMENTS CONTAIN THE FOLLOWING:**

**COMPARTMENT R51 CONTAINS:**

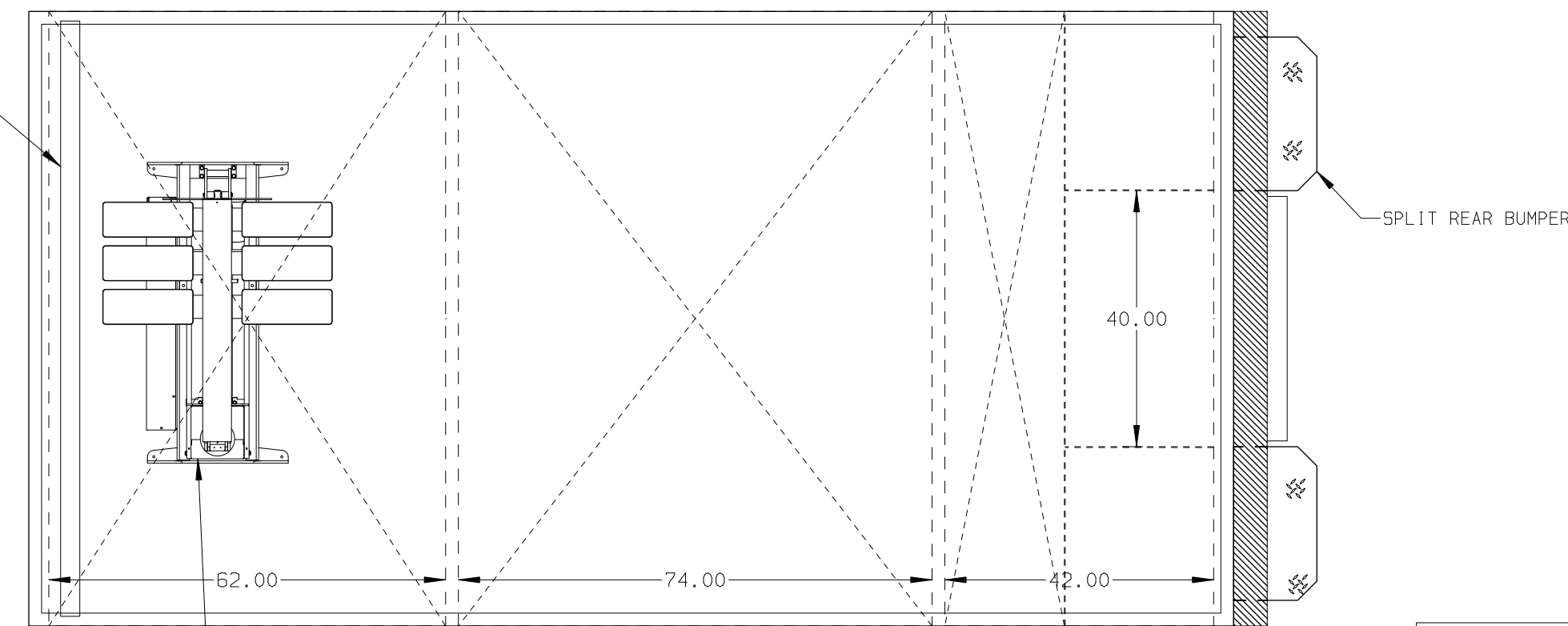
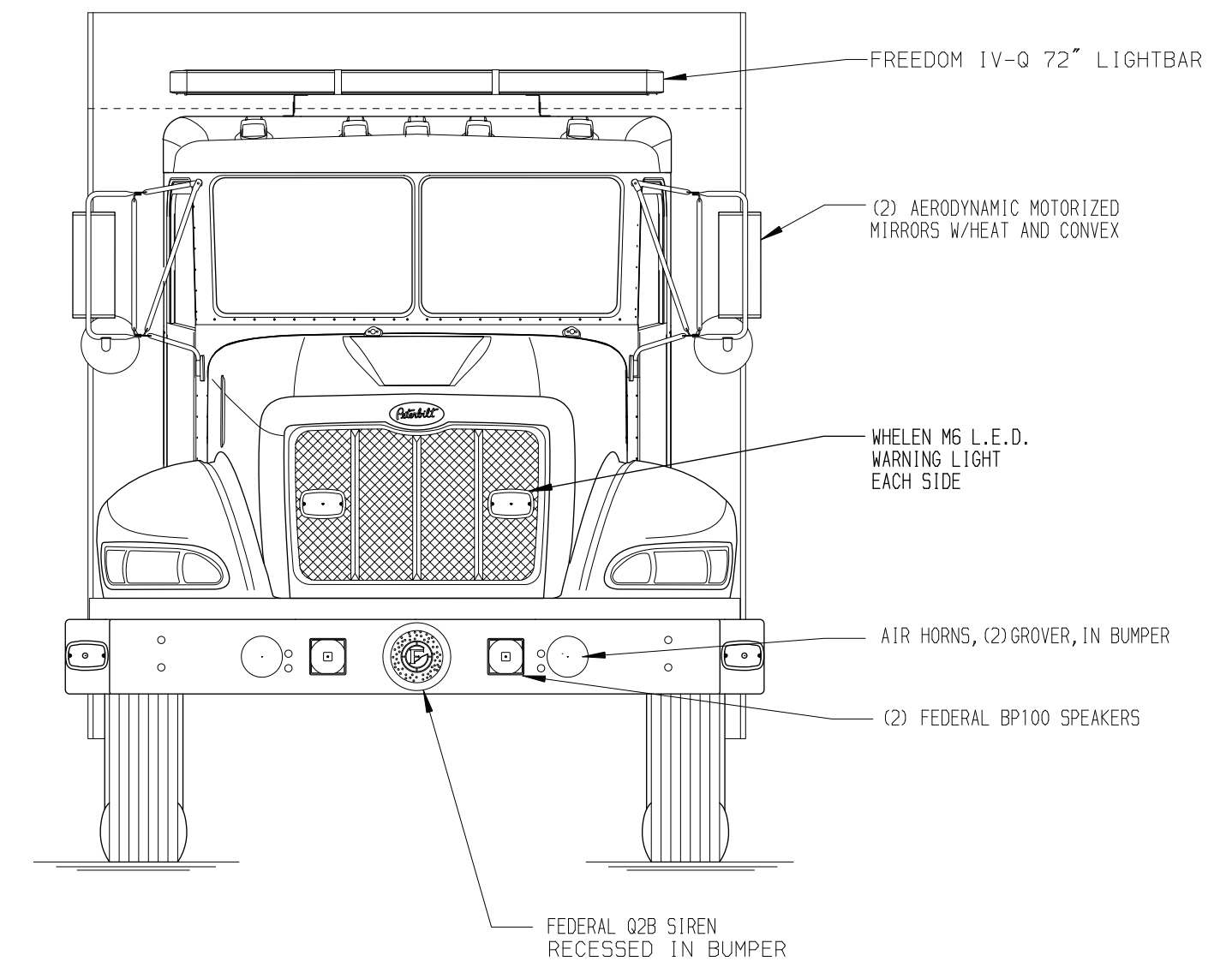
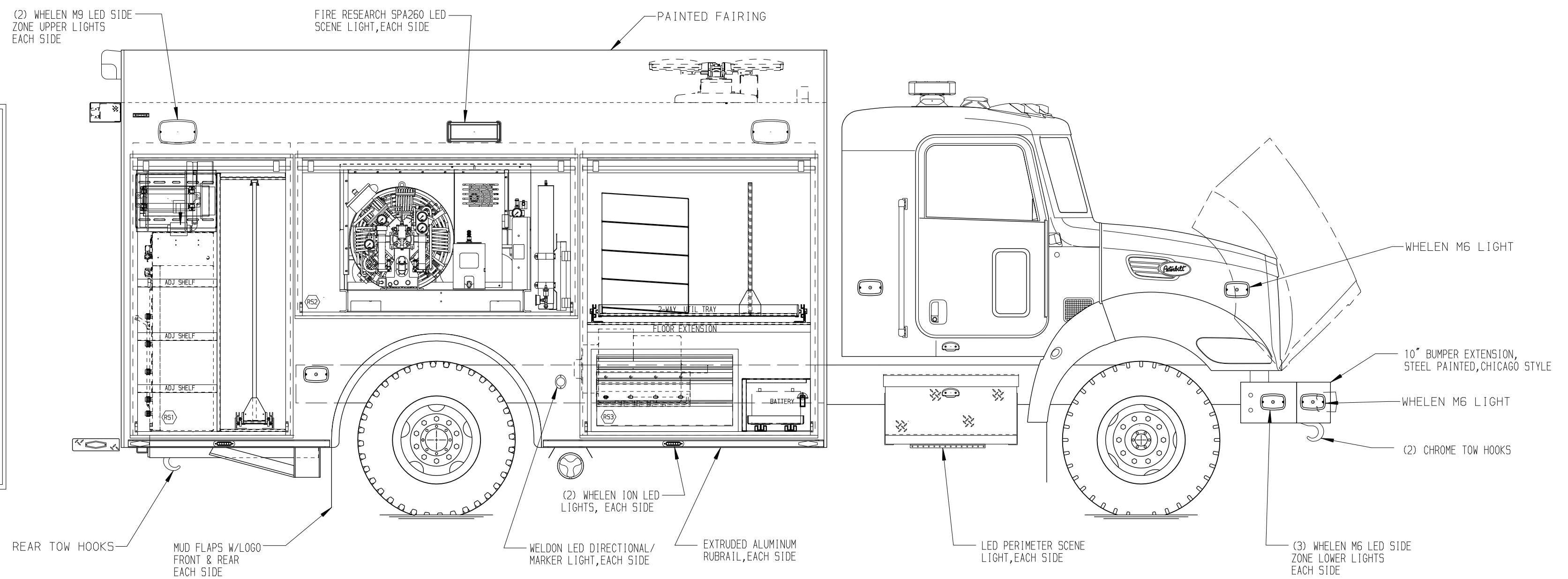
- (3) STD DEPTH ADJ SHELVES
- (1) VERTICAL COMPARTMENT DIVIDER
- (1) 1/2 DEPTH TOOLBOARD WITH TRAY
- (1) ELECTRIC CORD REEL WITH 200' 10/3 YELLOW CORD

**COMPARTMENT R52 CONTAINS:**

- (1) BAUER BREATHING AIR COMPRESSOR WITH 4 ASME STORAGE CYLINDERS

**COMPARTMENT R53 CONTAINS:**

- (1) CTECH 4 DRAWER CABINET
- (1) HORIZONTAL FLOOR EXTENSION
- (1) 2-WAY SLIDE OUT FLOOR MOUNTED TRAY
- (1) 2-WAY ADJ ALUMINUM TOOLBOARD
- (1) RACK FOR 40 SCBA BOTTLES
- (1) ENCLOSURE WITH BATTERIES



**REAR COMPARTMENT CONTAINS THE FOLLOWING:**

**COMPARTMENT B1 CONTAINS:**

- (1) BAUER FILL ENCLOSURE
- (1) HIGH PRESSURE AIR REEL WITH 150' HOSE
- (1) LOW PRESSURE AIR REEL WITH 150' HOSE

**DRIVER'S SIDE COMPARTMENTS CONTAIN THE FOLLOWING:**

**COMPARTMENT L51 CONTAINS:**

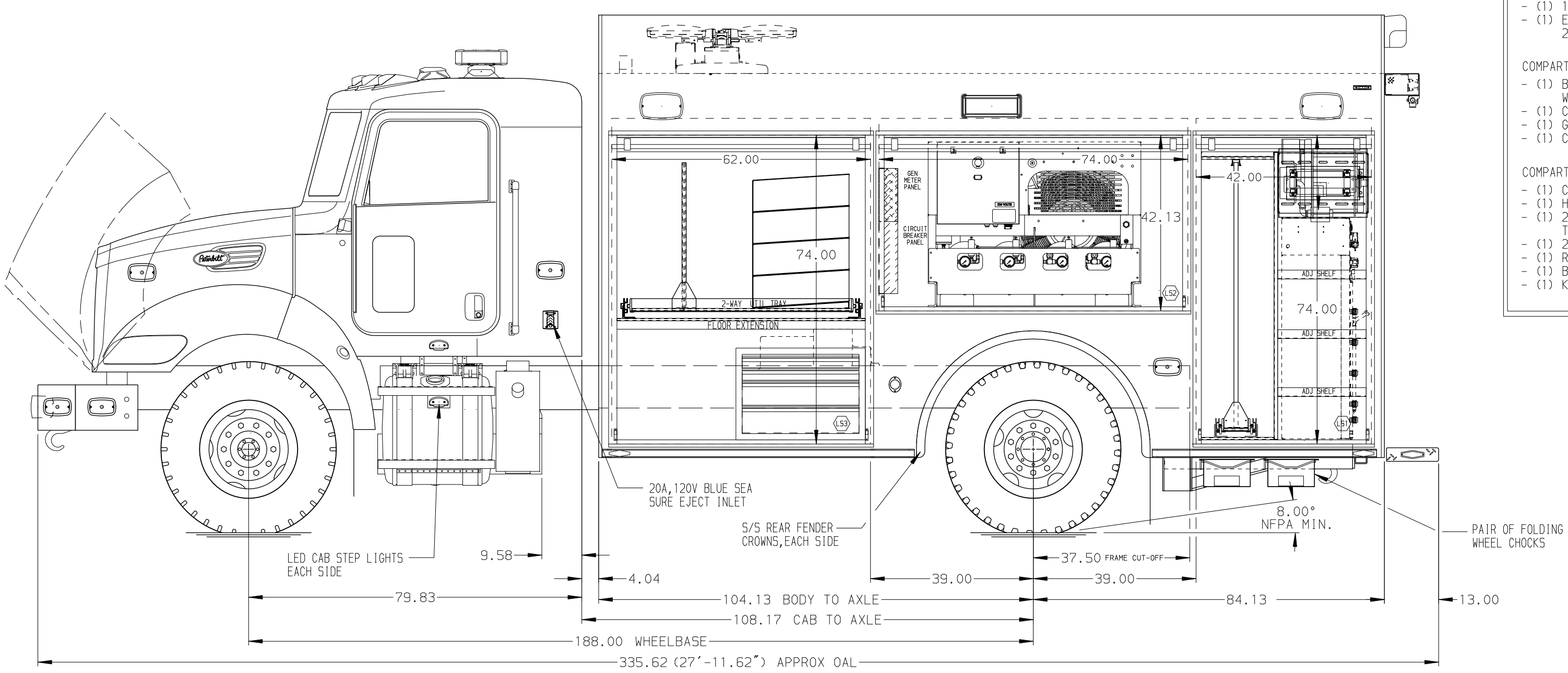
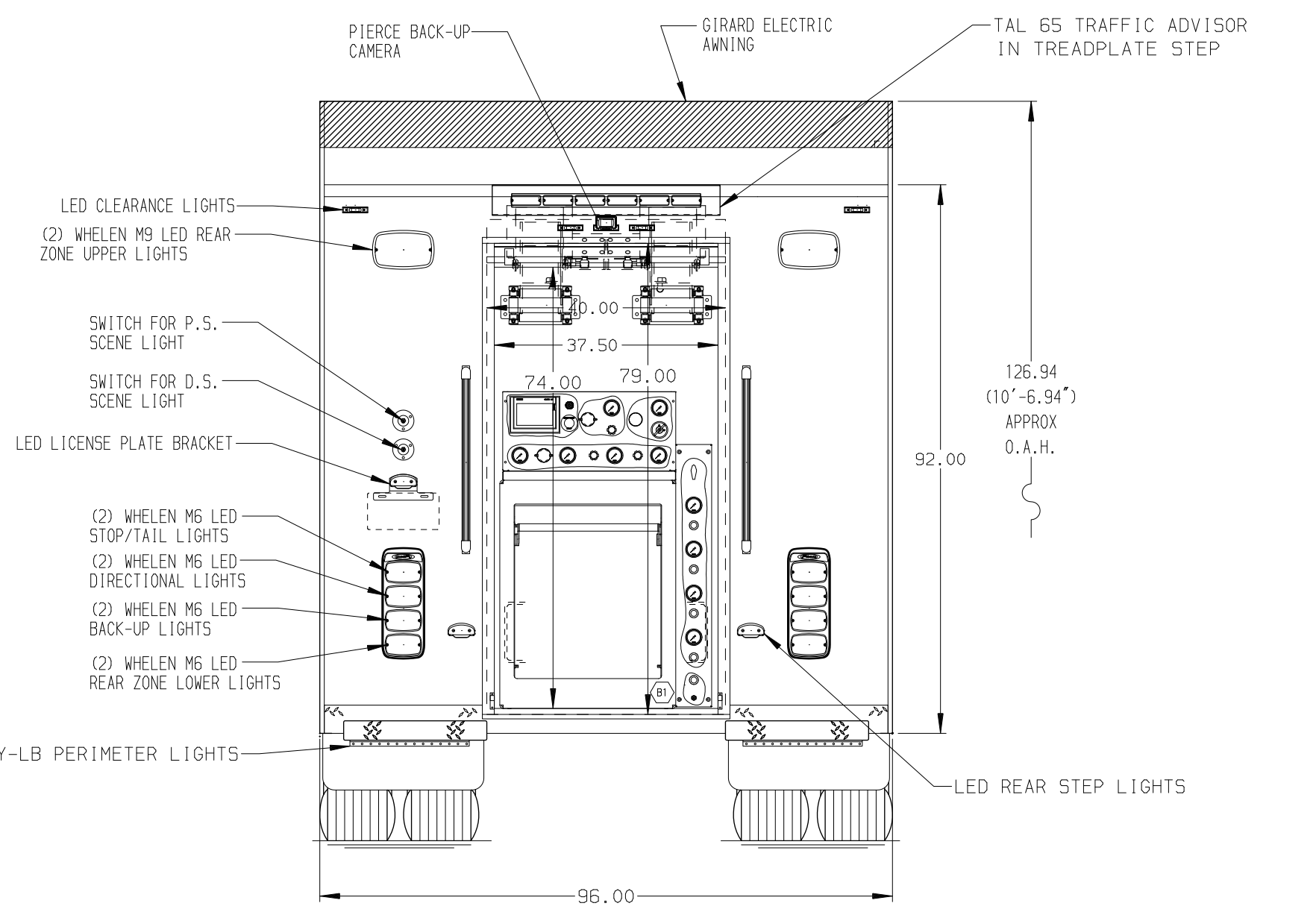
- (3) STD DEPTH ADJ SHELVES
- (1) VERTICAL COMPARTMENT DIVIDER
- (1) 1/2 DEPTH TOOLBOARD WITH TRAY
- (1) ELECTRIC CORD REEL WITH 200' 10/3 YELLOW CORD

**COMPARTMENT L52 CONTAINS:**

- (1) BAUER BREATHING AIR COMPRESSOR WITH 4 ASME STORAGE CYLINDERS
- (1) CIRCUIT BREAKER PANEL
- (1) GENERATOR METER PANEL
- (1) COMMAND LIGHT CONTROLLER

**COMPARTMENT L53 CONTAINS:**

- (1) CTECH 4 DRAWER CABINET
- (1) HORIZONTAL FLOOR EXTENSION
- (1) 2-WAY SLIDE OUT FLOOR MOUNTED TRAY
- (1) 2-WAY ADJ ALUMINUM TOOLBOARD
- (1) RACK FOR 40 SCBA BOTTLES
- (1) BATTERY CHARGER/CONVERTER
- (1) KUSSMAUL AIR COMPRESSOR



**NOTE**  
DIMENSIONS SHOWN ARE APPROXIMATE AND ARE SUBJECT TO MINOR DEVIATIONS AS MAY OCCUR OR BE NECESSARY IN CONSTRUCTION. MINOR DETAILS NOT SHOWN.

**NOTES:**

1. LIMA 40KW THREE PHASE PTO DRIVEN GENERATOR LOCATED BETWEEN THE FRAME RAILS
2. PIERCE DUAL LED LIGHT STRIPS LOCATED IN ALL BODY COMPARTMENTS
3. TREADPLATE FILLER PANELS BELOW CAB

CUSTOMER APPROVAL			
APPROVED BY:			
DATE:			
CHASSIS DATA	TITLE	ENCORE RESCUE VEHICLE	
MAKE	FOR	KLEIN FD	
MODEL	DWG NO.	34840AD	
REV	DATE	BY	CH
17NOV20	DHE	CDK	PETERBILT
08OCT20	DHE	CDK	
			337

**Pierce MANUFACTURING INC.**

JOB NO.	34840
SCALE	1:24
DATE	
DRAWN BY	JSW
CHECKED BY	CDK
SHEET SIZE	SHEET NO.
D	1 OF 1