

Pumper, PUC

BODY

Pumper, PUC, Aluminum

CHASSIS

Impel Chassis, PUC

CHASSIS AXLE, FRONT, CUSTOM

19,500 Lb TAK-4 Axle

AXLE, REAR

30,000 Lb Meritor Axle

ENGINE

450 HP Cummins L9 Engine

TRANSMISSION

Allison 5th Gen, 3000 EVS P

BUMPER

19" Extended Stainless Steel

CAB

7010 Impel FR Cab, PUC

BODY

WATER TANK

1000 Gallon Poly Water Tank

COMPT, PUMPER, REAR

40.50" FF RollUp Rear Compt w/Tailboard, PUC

COMPT, PUMPER, LEFT SIDE

189" RollUp Full Height & Depth Front & Rear, PUC

COMPT, PUMPER, RIGHT SIDE

189" RollUp Full Height & Depth Front & Rear, PUC

FIRE SUPPRESSION PUMPHOUSE

Control Zone, PUC

PUMP

1500 GPM Pierce PUC

CROSSLAYS, 1.50"

(2) 1.50", Poly Trays, 200"

CROSSLAYS, 2.50"

(1) 2.50", Poly Tray, 200"

GENERATOR

6KW MSV Generator

Foam System

Husky 3 Single Agent Foam System

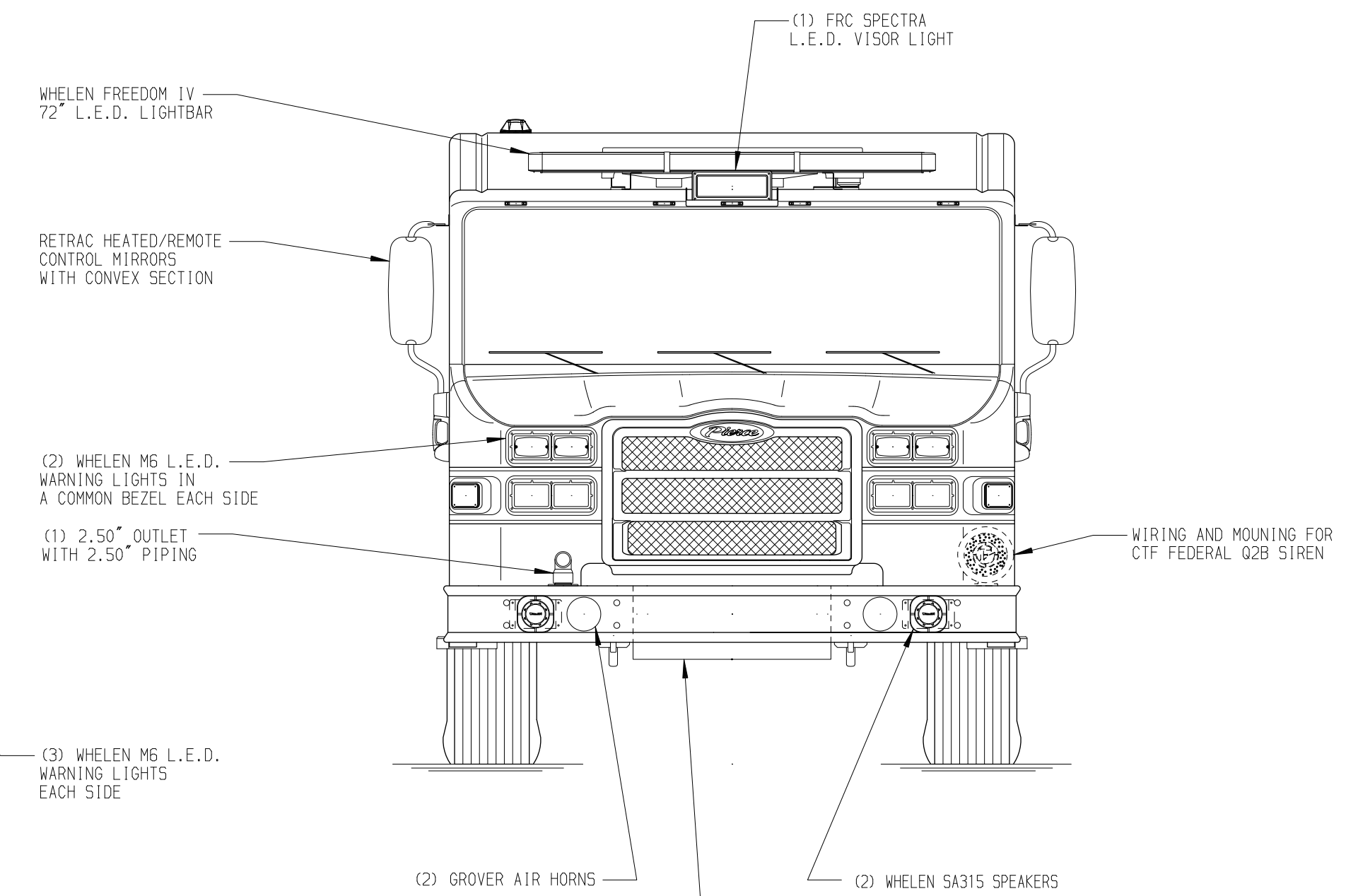
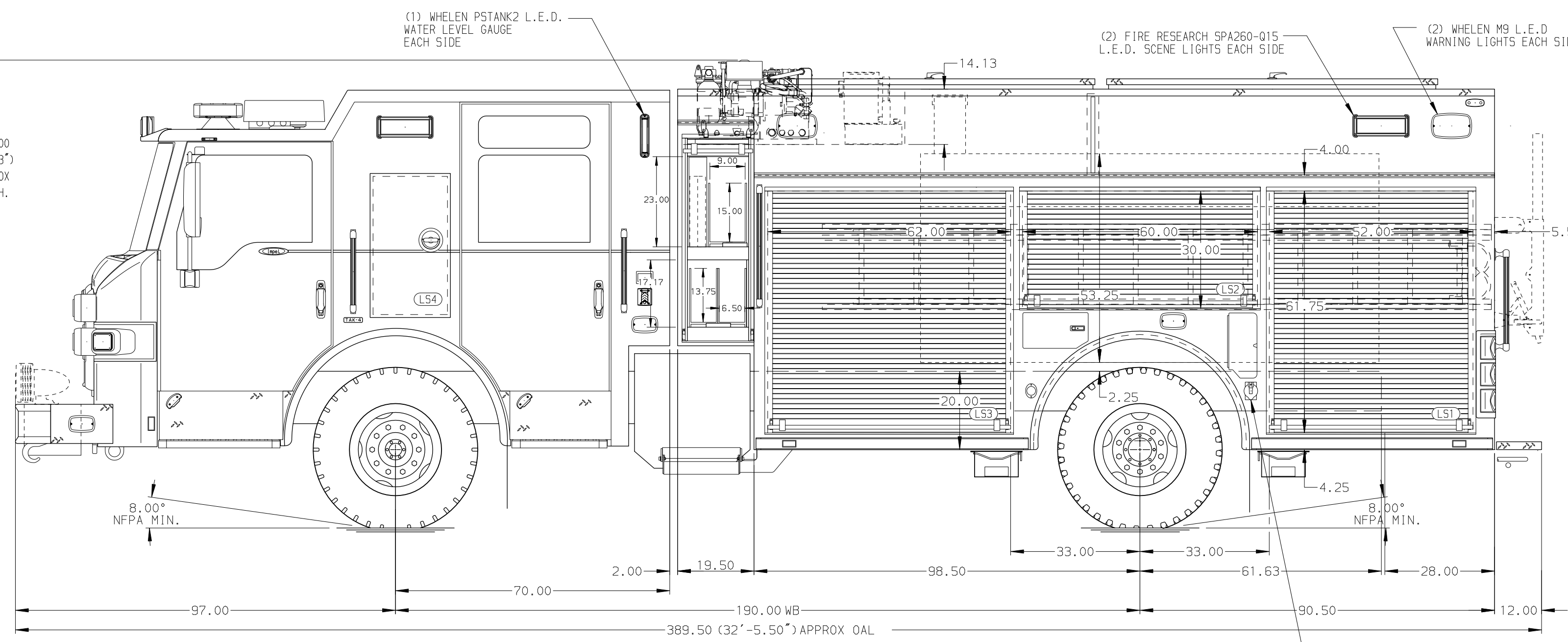
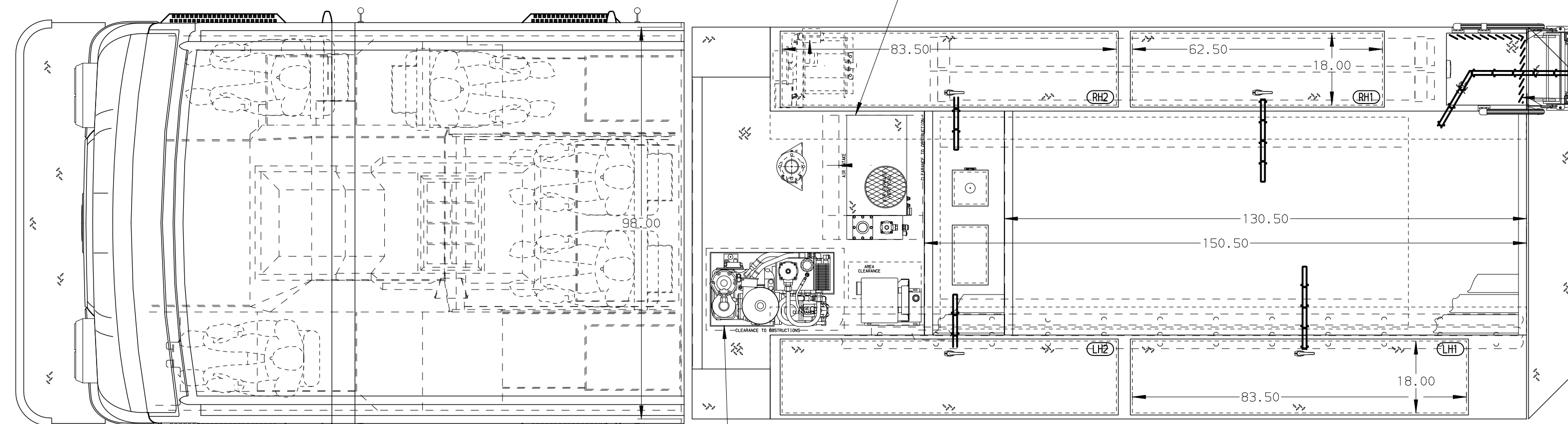
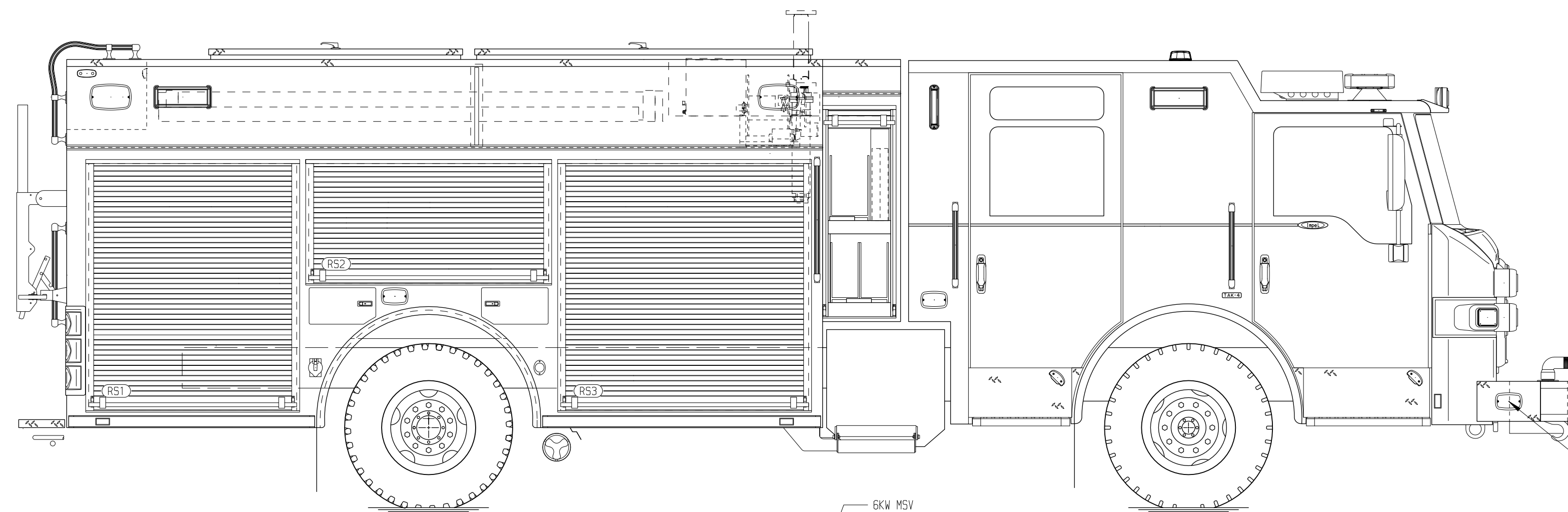
Foam Cell

30 Gallon Foam Cell, Reduced Water, PUC

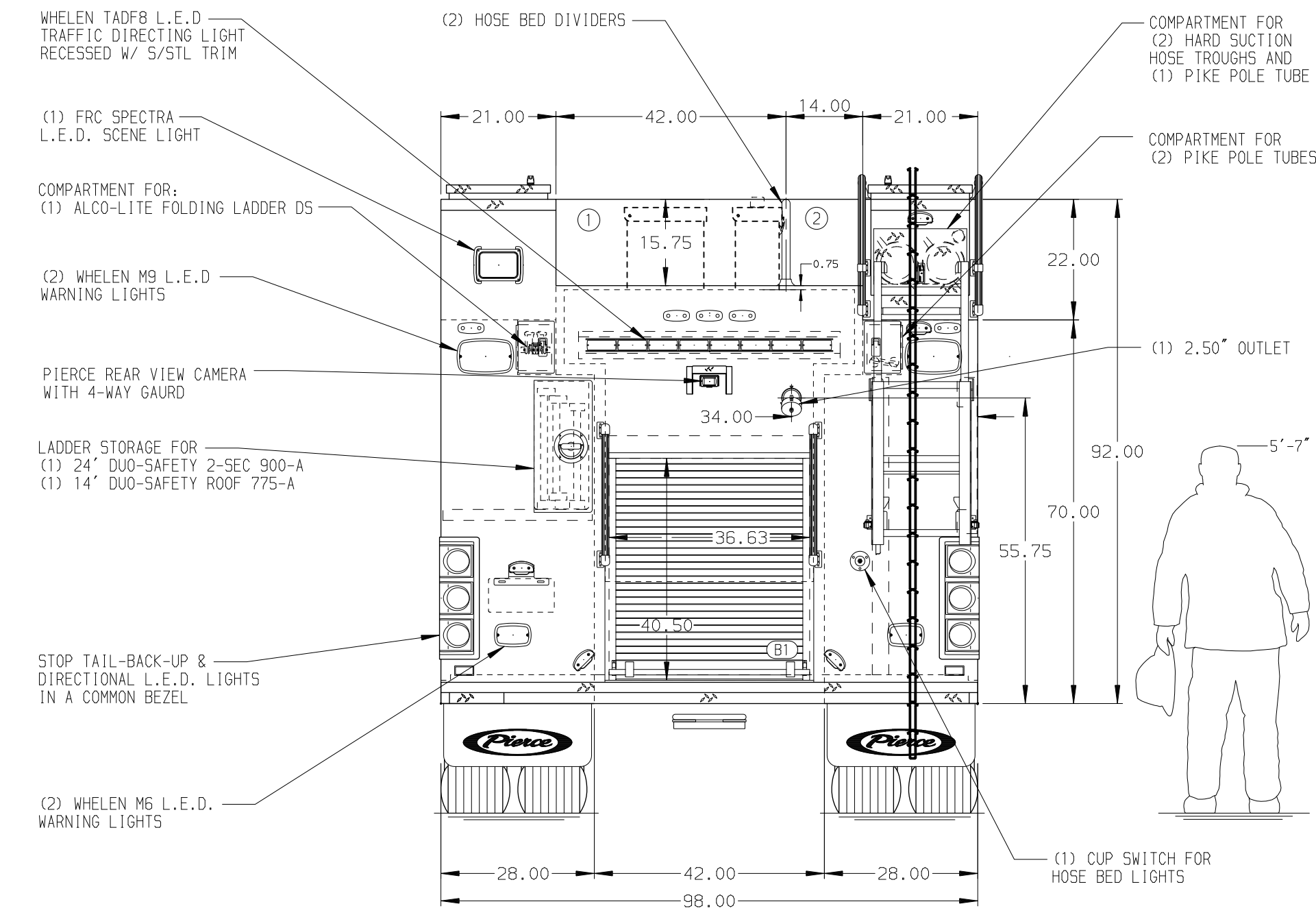
Side Roll and Frontal Impact Protection

NOTE
DIMENSIONS SHOWN ARE APPROXIMATE AND ARE SUBJECT TO MINOR DEVIATIONS AS MAY OCCUR OR BE NECESSARY IN CONSTRUCTION. MINOR DETAILS NOT SHOWN.

- SHORELINE RECEPTACLE WITH BLUE SEA SURF EJECT LOCATED ON DRIVER SIDE OF THE CREW CAB
- AIR INLET/OUTLET WITH DISCONNECT COUPLING LOCATED IN COMPARTMENT L53
- BATTERY CHARGER LOCATED BEHIND DRIVER'S SEAT
- BATTERY CHARGE INDICATOR LOCATED NEAR DRIVER SEAT RISER WITH BRACKET
- SEVEN ADJUSTABLE SHELVES LOCATED PER SHOP ORDER
- FOUR FLOOR MOUNTED SLIDE-OUT TRAYS LOCATED PER SHOP ORDER
- ONE ADJUSTABLE SLIDE-OUT TRAY LOCATED PER SHOP ORDER
- ONE TILTING/SLIDE-OUT TRAY LOCATED PER SHOP ORDER
- ONE GEAR GRID TOOL SYSTEM LOCATED PER SHOP ORDER
- ONE VERTICAL PARTITION LOCATED PER SHOP ORDER
- PARTITIONS BETWEEN COMPARTMENTS L51/B1 & R51/BA



HOSEBED CAPACITY	
BED 1	1000' OF 5.00" D.J. POLY HOSE
BED 2	400' OF 3.00" D.J. POLY HOSE



MAXIMUM O.A.H. - 124.00"

		JOB NO.	34837
		SCALE	DATE
TITLE Pierce PUC Pumper Approval Drawing		DRAWN BY	MMF
MAKE PIERCE		CHECKED BY	NPE
MODEL IMPEL FR		SHEET SIZE	SHEET NO.
DWG NO.		34837AD	
REV NO.		1 OF 1	

REV	DATE	BY	CH	IMPEL FR
1	11MAY20	MMF	CHR	
2	14APR20	COL	CHR	