

Pumper, PUC

BODY

Pumper, PUC, Aluminum

CHASSIS

Enforcer Chassis, PUC

CHASSIS AXLE, FRONT, CUSTOM

19,500 Lb TAK-4 Axle

AXLE, REAR

27,000 Lb Dana Axle

ENGINE

450 HP Cummins L9 Engine

TRANSMISSION

Allison 5th Gen, 3000 EVS P

BUMPER

19" Extended Painted Steel

CAB

7010 Enforcer Cab, PUC

BODY

WATER TANK

750 Gallon Poly Water Tank

COMPT, PUMPER, REAR

40.50" FF RollUp Rear Compt w/Tailboard, PUC

COMPT, PUMPER, LEFT SIDE

189" RollUp Full Height & Depth Front & Rear, PUC

COMPT, PUMPER, RIGHT SIDE

189" RollUp Full Height & Depth Front & Rear, PUC

FIRE SUPPRESSION PUMPHOUSE

Control Zone, PUC

PUMP

1500 GPM Pierce PUC

CROSSLAYS, 1.50"

(2) 1.50", Poly Trays, 200"

CROSSLAYS, 2.50"

(1) 2.50", Poly Tray, 200"

GENERATOR

Harrison 3.6kW MSV Hydraulic Generator

Foam System

Husky 3 Single Agent Foam System

Foam Cell

30 Gallon Foam Cell, Not Reduced Water, PUC

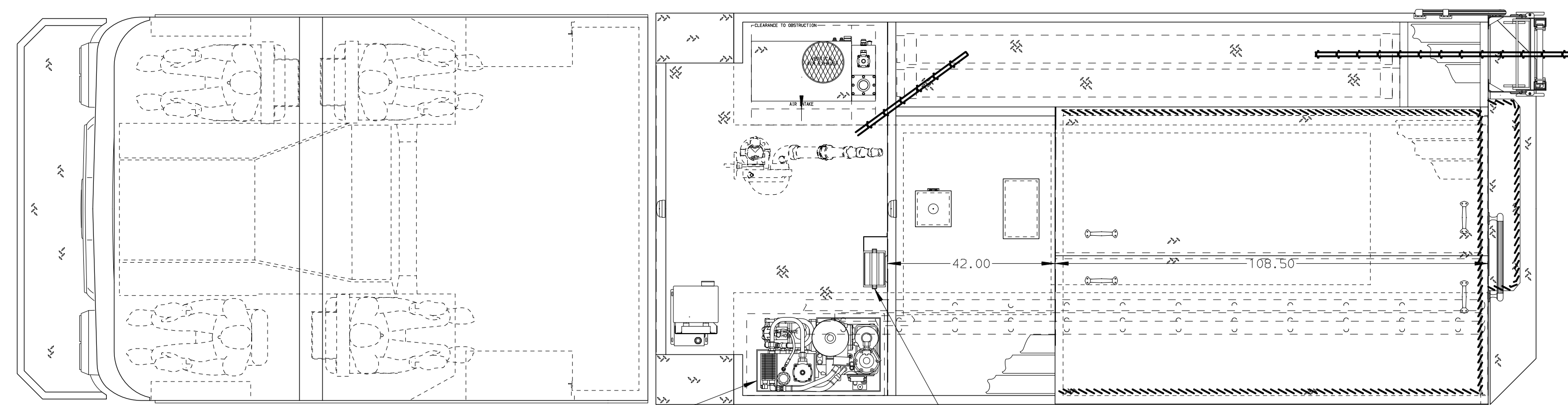
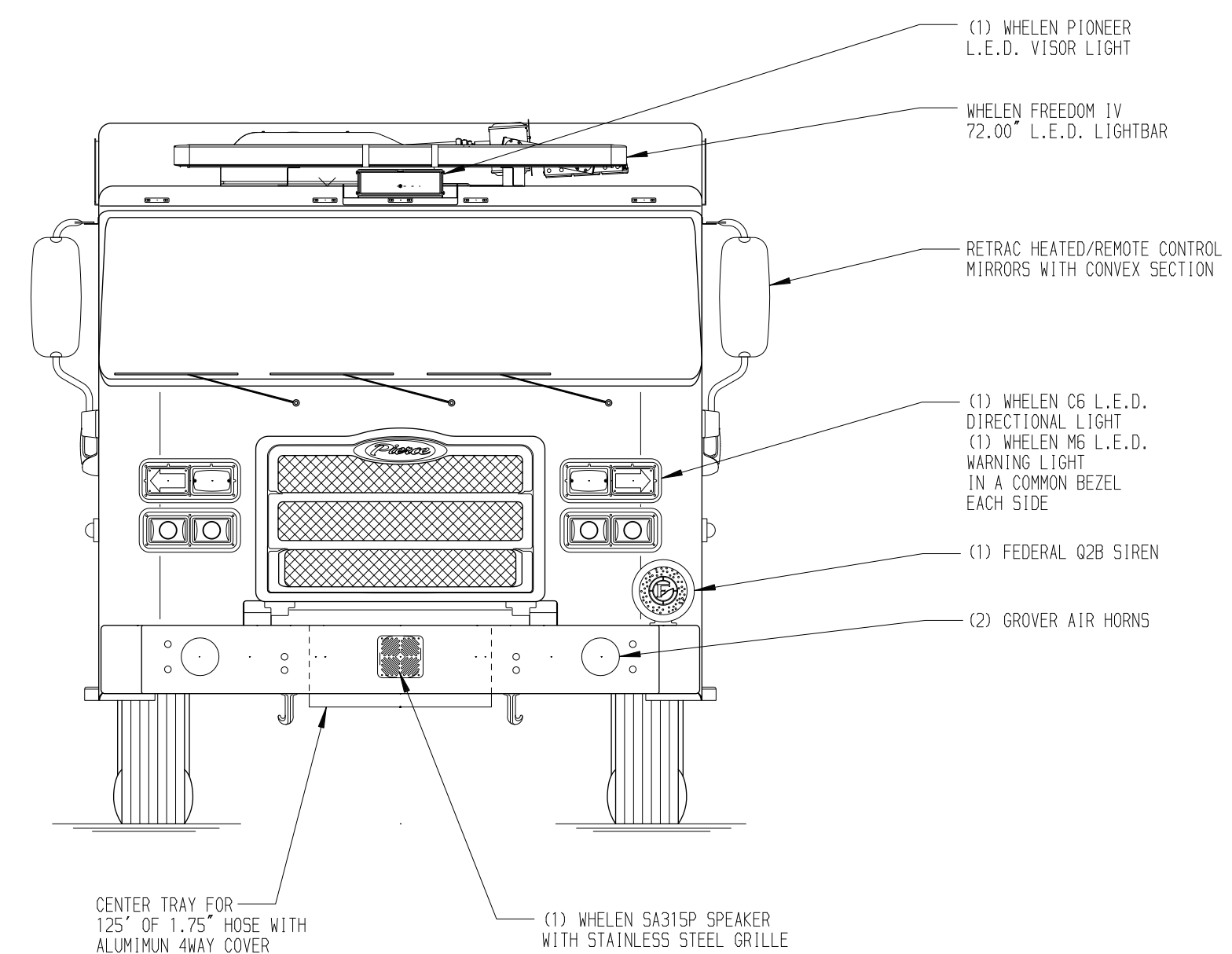
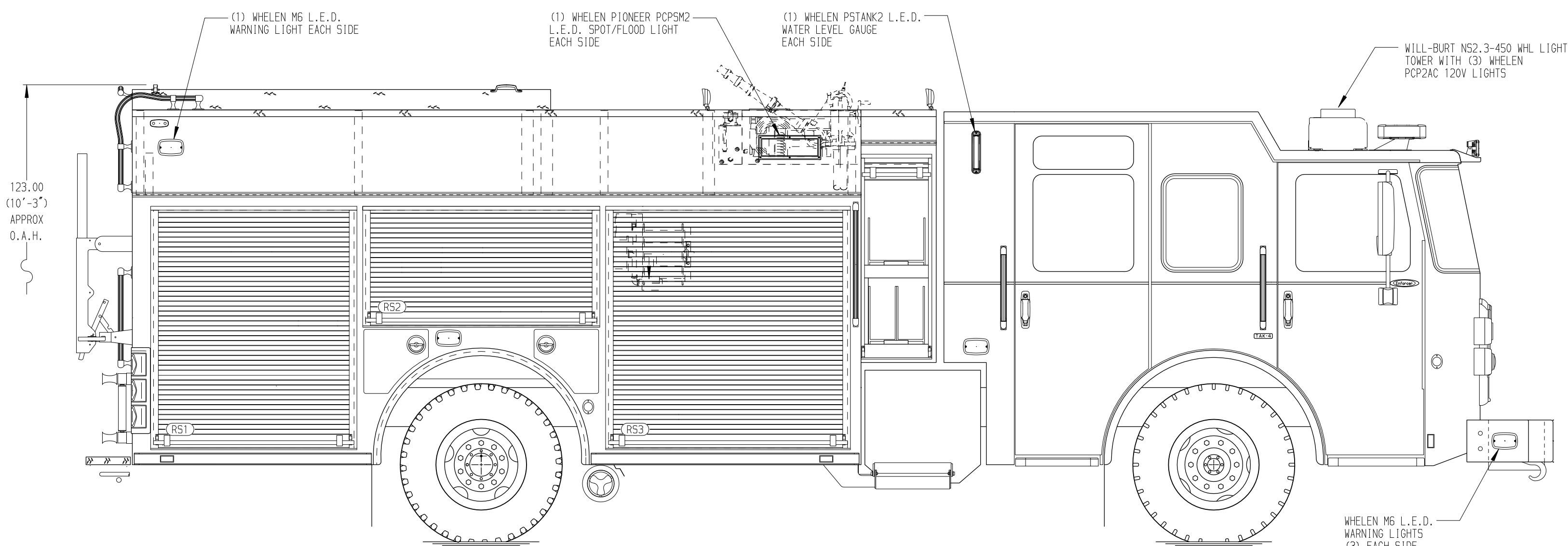
Side Roll and Frontal Impact Protection

NOTE

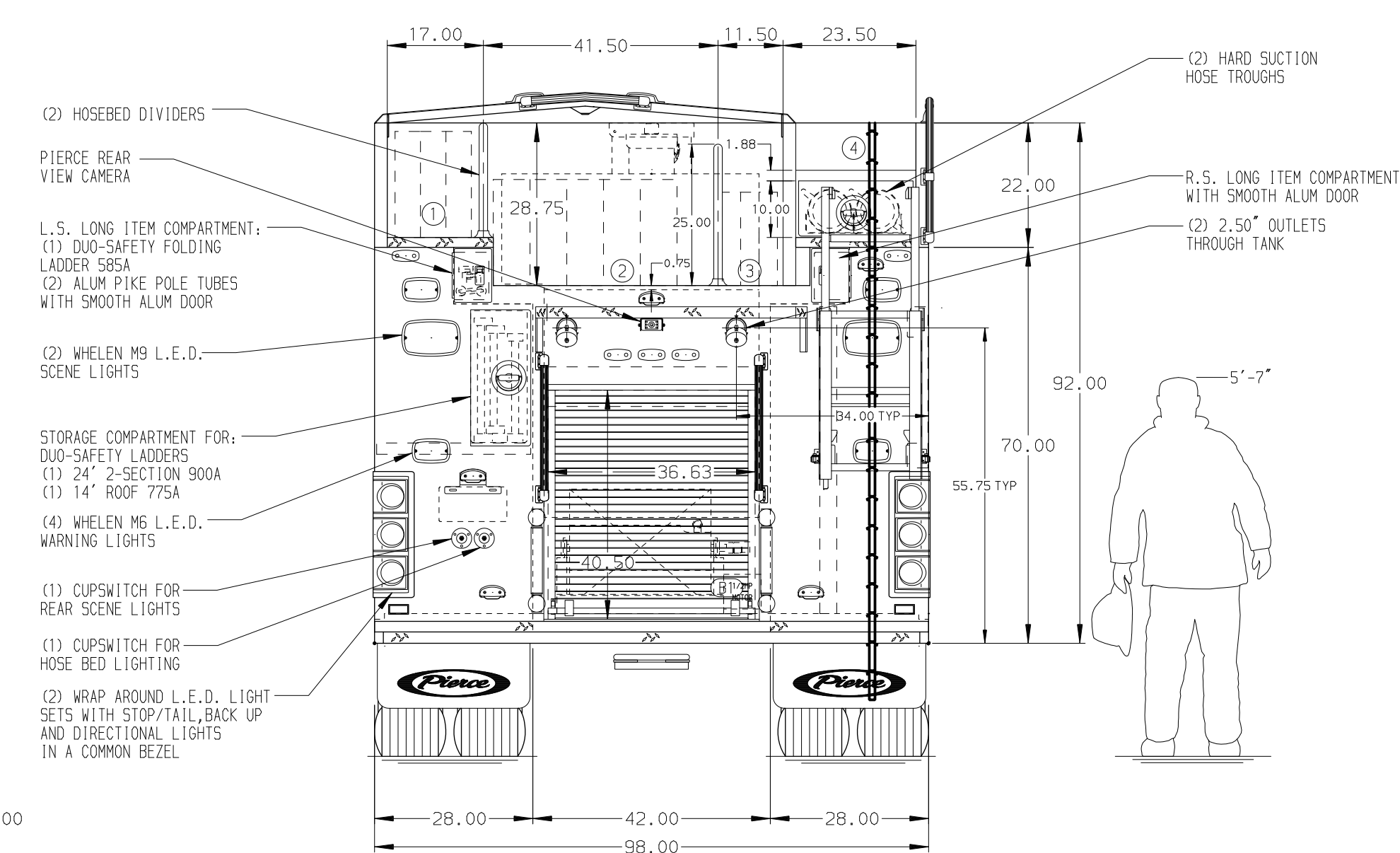
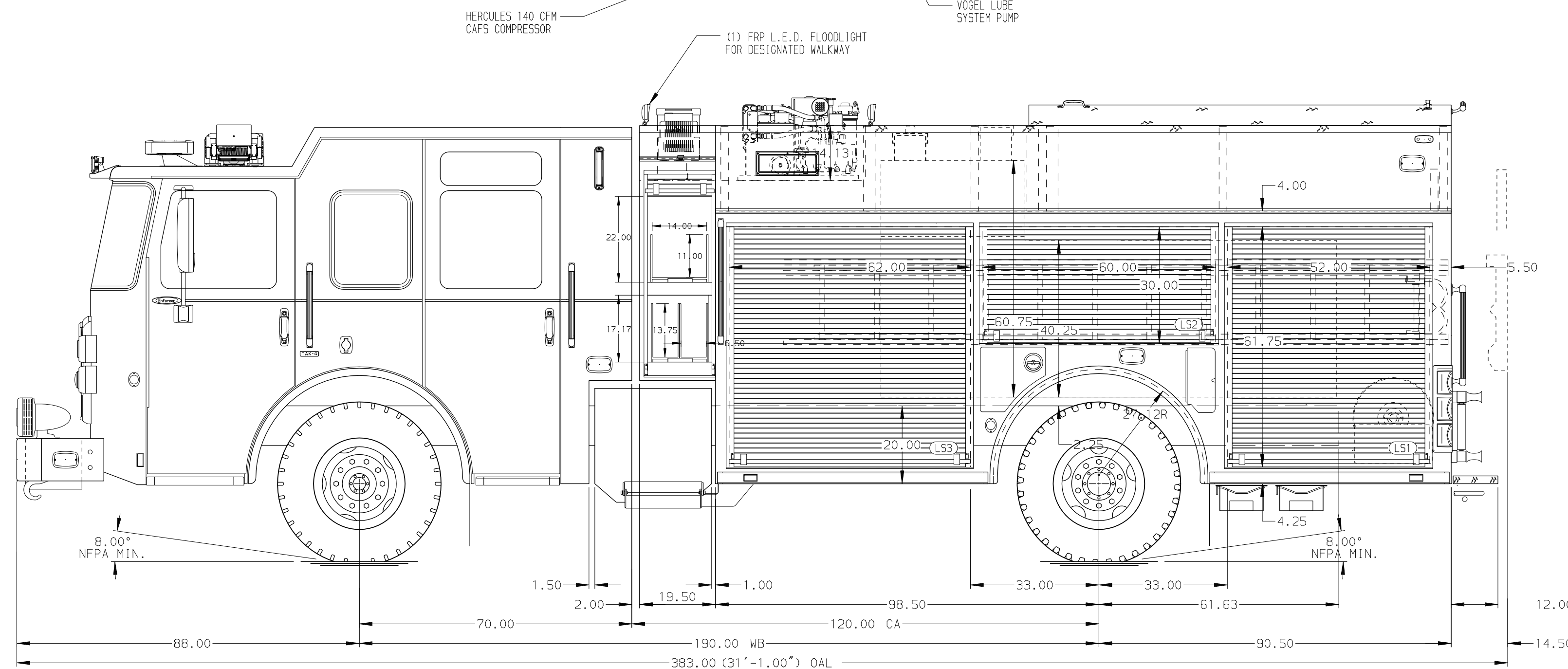
DIMENSIONS SHOWN ARE APPROXIMATE AND ARE SUBJECT TO MINOR DEVIATIONS AS MAY OCCUR OR BE NECESSARY IN CONSTRUCTION. MINOR DETAILS NOT SHOWN.

- ONE 1.50" OUTLET WITH 2.00" PIPING AND SWIVEL LOCATED IN CENTER BUMPER TRAY
- SHORELINE RECEPTACLE WITH KUSSMAUL SUPER AUTO-EJECT LOCATED ON DRIVER SIDE OF THE CAB
- AIR INLET WITH DISCONNECT COUPLING IN THE DRIVER SIDE STEPWELL
- BATTERY CHARGER LOCATED IN COMPARTMENT PER SHOP ORDER
- BATTERY CHARGE INDICATOR LOCATED ON THE DRIVER SIDE SEAT RISER
- SIX ADJUSTABLE SHELVES LOCATED PER SHOP ORDER
- ALUMINUM FERGBOARD LOCATED PER SHOP ORDER
- ONE TILTING/SLIDE-OUT TRAY LOCATED PER SHOP ORDER
- ONE SWING-OUT TOOLBOARD LOCATED PER SHOP ORDER
- THREE 120V DUPLEX RECEPTACLES LOCATED PER SHOP ORDER

- ONE HANNAY ELECTRIC REWIND CORD REEL MODEL 1618-17-18 WITH 200' OF 12/3 CABLE LOCATED IN COMPARTMENT L53
- HANNAY BOOSTER REEL MODEL SBEF52-21-22-8 WITH 200' OF 1.00" BOOSTER HOSE LOCATED IN COMPARTMENT B1



HOSEBED CAPACITY	
BED 1	600' OF 2.50" D.J. HOSE
BED 2	1000' OF 4.00" L.D. HOSE
BED 3	600' OF 1.75" D.J. HOSE
BED 4	EMPTY BED FOR WALKWAY



		JOB NO.	34816
		SCALE	DATE
CHASSIS DATA MAKE MODEL ENFORCER	TITLE	PIERCE PUC PUMPER APPROVAL DRAWING	
	FOR	WINSLOW FIRE DEPARTMENT WINSLOW, MAINE	
REV	DATE	CHECKED BY	SHEET NO.
20APR20	COL JGO	NPE	24FEB20
13MAR20	COL JGO		
		DWG NO.	34816AD
			1 OF 1