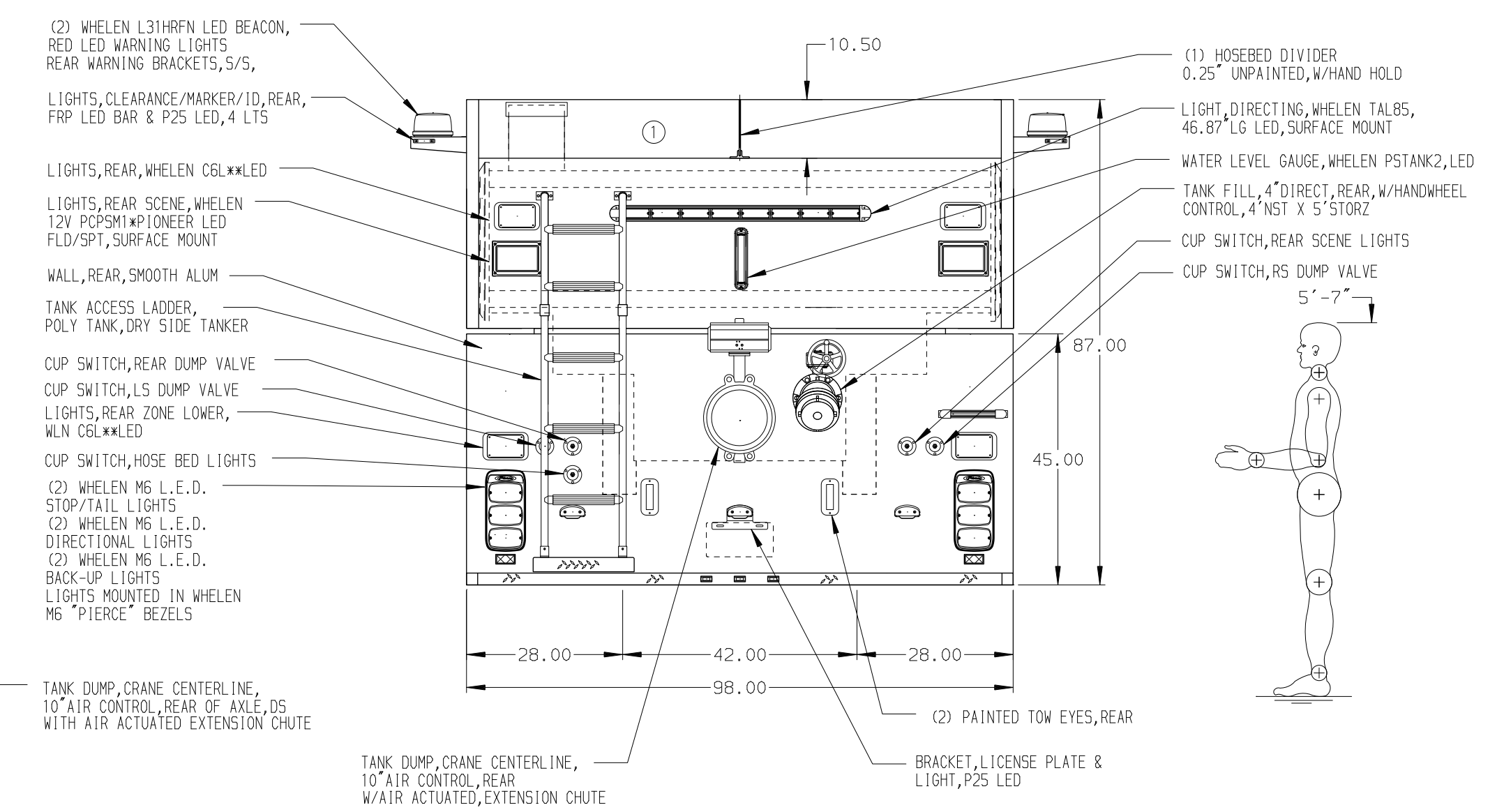
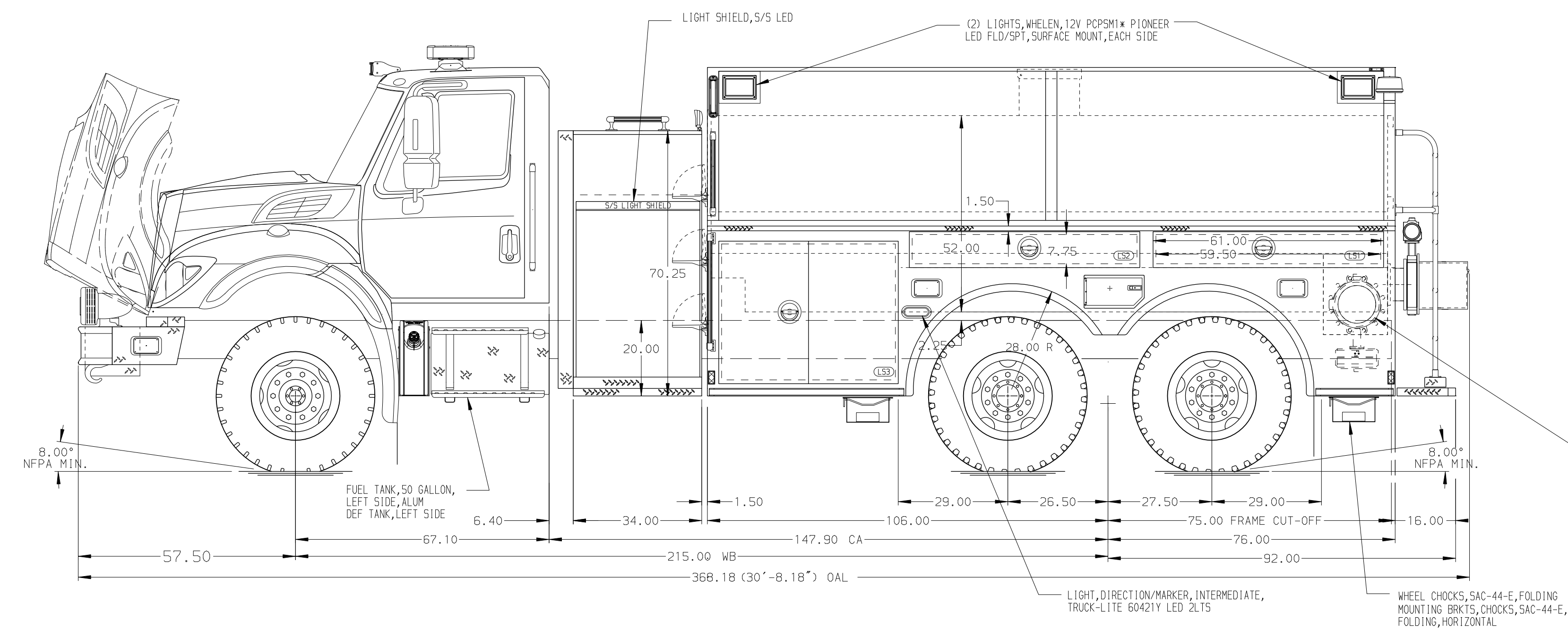


HOSEBED CAPACITIES  
 (1) 200' OF 2.50" D.J. POLYESTER HOSE



ALUMINUM BODY

NOTE  
 DIMENSIONS SHOWN ARE APPROXIMATE AND ARE SUBJECT TO MINOR DEVIATIONS AS MAY OCCUR OR BE NECESSARY IN CONSTRUCTION. MINOR DETAILS NOT SHOWN.

REV	DATE	BY	CH	HV
03AUG29	JLA	GSC	IHC	MODEL
18JUN20	CRH	GSC	MODEL	CHASSIS DATA

		JOB NO.	34809
		SCALE	DATE
TITLE	1000-D-2500 WIDE POLY, 182" DRYSIDE BODY 34.00" SIDE CONTROL, NO CROSSLAYS	DRAWN BY	JLA 23MAR20
FOR	WHATCOM COUNTY FD #7 FERDALE, WASHINGTON	CHECKED BY	RWI 27MAR20
DWG NO.	34809AD	SHEET SIZE	SHEET NO.
		D	1 OF 1