

PUMPER BODY

Medium Aluminum 2nd Gen Pumper

CHASSIS

Enforcer Chassis

CHASSIS AXLE, FRONT, CUSTOM

19,500 Lb TAK-4 Axle

AXLE, REAR

24,000 Lb Dana Axle

ENGINE

450 HP Cummins L9 Engine

TRANSMISSION

Allison 5th Gen, 3000 EVS P

BUMPER

26" Extended Painted Steel Underslung

CAB

7010 Enforcer Cab

BODY WATER TANK

750 Gallon New York Style Water Tank

COMPT, PUMPER, REAR

37.75" FF RollUp Rear Compt

COMPT, PUMPER, LEFT SIDE

152" RollUp Full Height Front & Rear FDLR
Special Depth Upper Compartments

COMPT, PUMPER, RIGHT SIDE

152" RollUp Full Height Front & Rear FDLR

FIRE SUPPRESSION PUMPHOUSE

52" Control Zone Side Mount

PUMP

1500 GPM Waterous CSU

CROSSLAYS, 1.50"

(2) 1.50" Standard Capacity

CROSSLAYS, 2.50"

(1) 2.50" Standard Capacity

SPEEDLAYS

Speedlays Not Required

GENERATOR

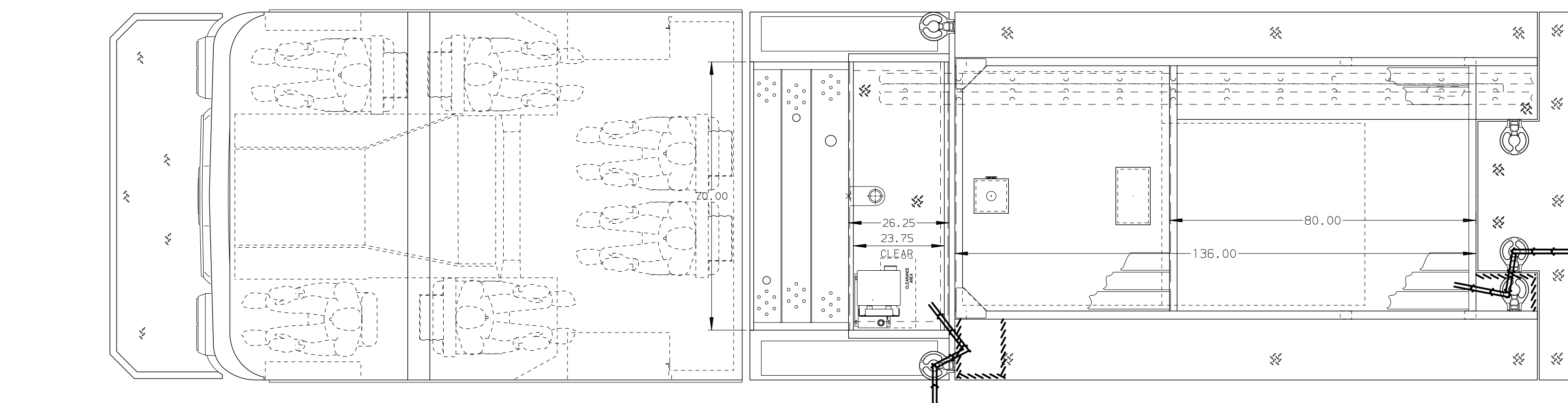
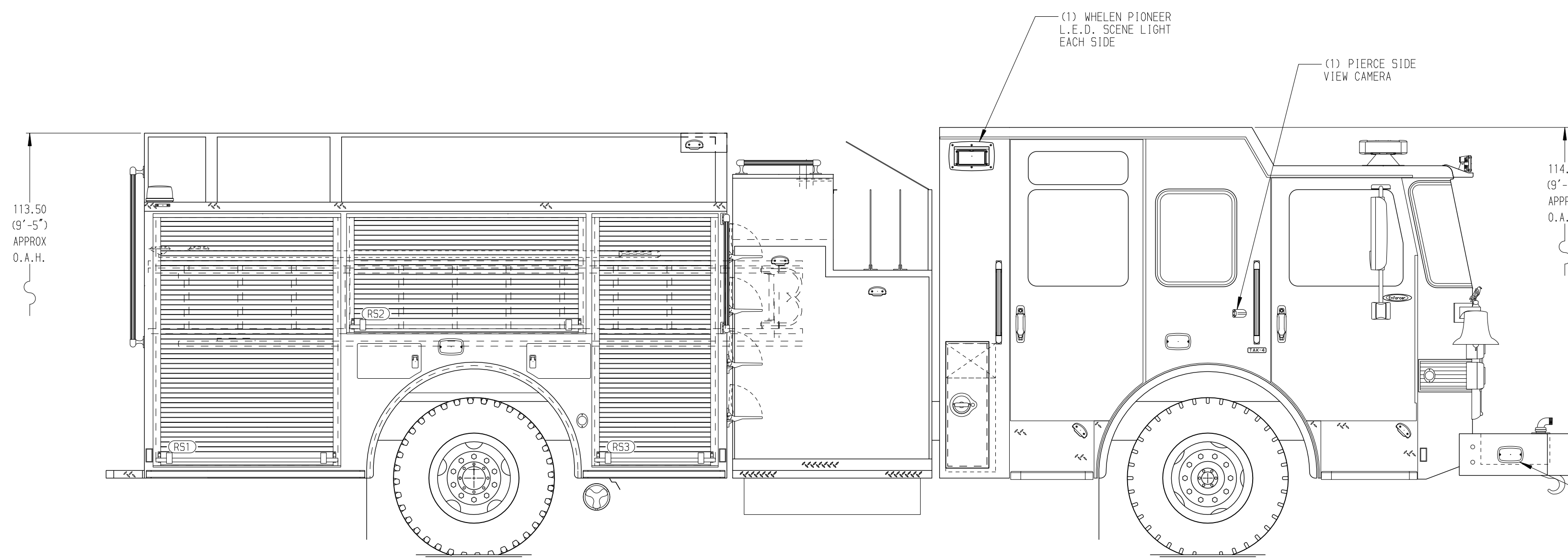
Generator Not Required

Foam System

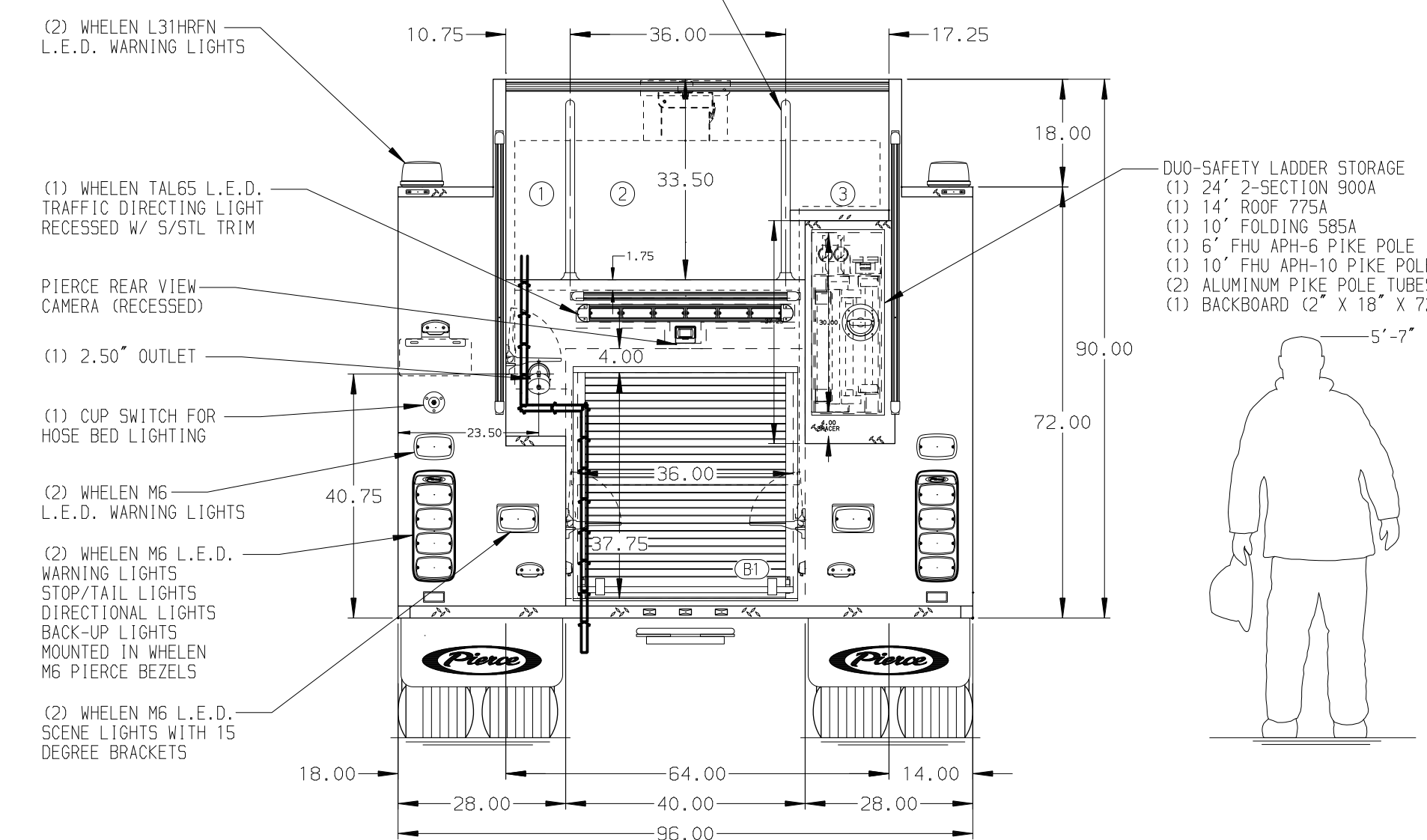
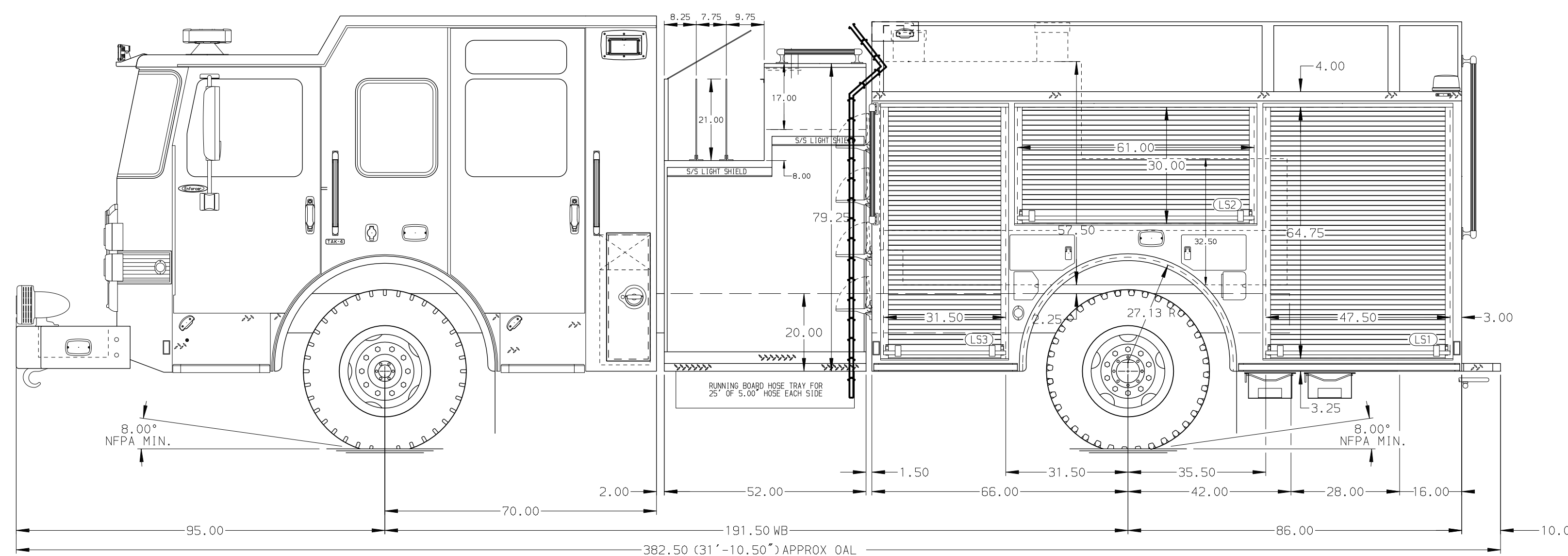
Husky 3 Single Agent Foam System

Foam Cell

50 Gallon Foam Cell, Not Reduced Water



HOSEBED CAPACITY	
BED 1	400' OF 2.50" D.J. POLY HOSE
BED 2	1000' OF 5.00" D.J. POLY HOSE
BED 3	400' OF 3.00" D.J. POLY HOSE



MAXIMUM O.A.H. - 115.00" MAXIMUM O.A.L. - 384.00"

NOTE
DIMENSIONS SHOWN ARE APPROXIMATE AND ARE SUBJECT TO MINOR DEVIATIONS AS MAY OCCUR OR BE NECESSARY IN CONSTRUCTION. MINOR DETAILS NOT SHOWN.

- SHORELINE RECEPTACLE WITH KUSSMAUL SUPER AUTO-EJECT LOCATED ON DRIVER SIDE OF THE CAB
- AIR INLET WITH DISCONNECT COUPLING IN THE DRIVER SIDE STEPWELL
- BATTERY CHARGER LOCATED BEHIND DRIVER'S SEAT
- EIGHT ADJUSTABLE SHELVES LOCATED PER SHOP ORDER
- ONE FLOOR MOUNTED SLIDE-OUT TRAY LOCATED PER SHOP ORDER
- FOUR ADJUSTABLE SLIDE-OUT TRAYS LOCATED PER SHOP ORDER
- ONE 120V DUPLEX RECEPTACLE LOCATED PER SHOP ORDER
- POLY MOUNTING BOARD LOCATED PER SHOP ORDER
- PAC TRAC LOCATED PER SHOP ORDER
- PARTITIONS LOCATED BETWEEN COMPARTMENTS LS1/B1 & RS1/B1

REV	DATE	BY	CH	ENFORCER
25SEP20	COL	PPE		CHASSIS DATA
20APR20	COL	PPE		MAKE
27MAR20	COL	PPE		PIERCE
25MAR20	COL	PPE		MODEL

Pierce MANUFACTURING INC.		JOB NO.	34802
		SCALE	DATE
		1:24	
TITLE		PIERCE Pumper Approval Drawing	
FOR		Fernandina Beach Fire Department	
DRAWN BY		COL	11FEB20
CHECKED BY		NPE	12FEB20
DWG NO.		34802AD	
SHEET NO.		D	1 OF 1