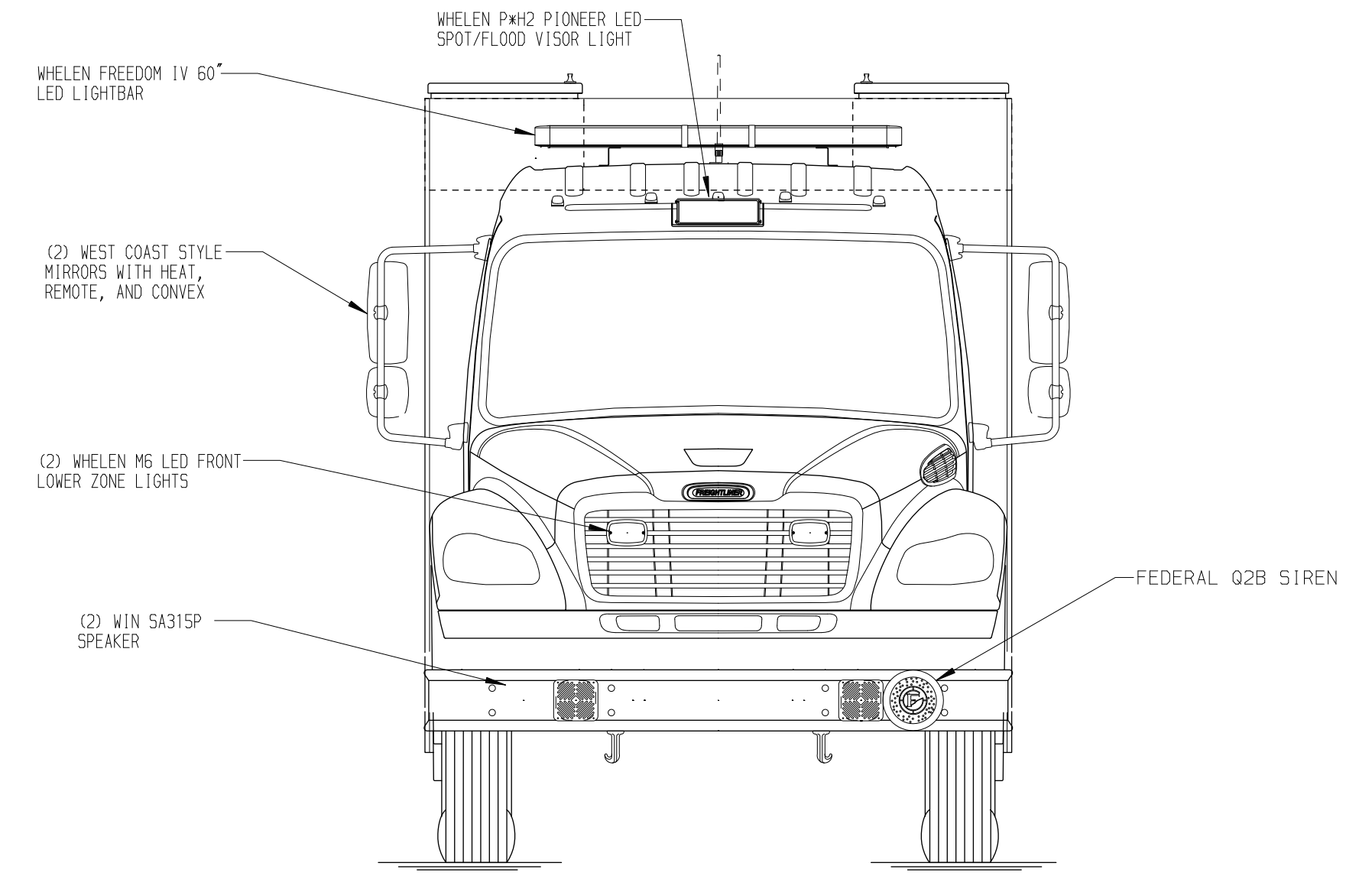
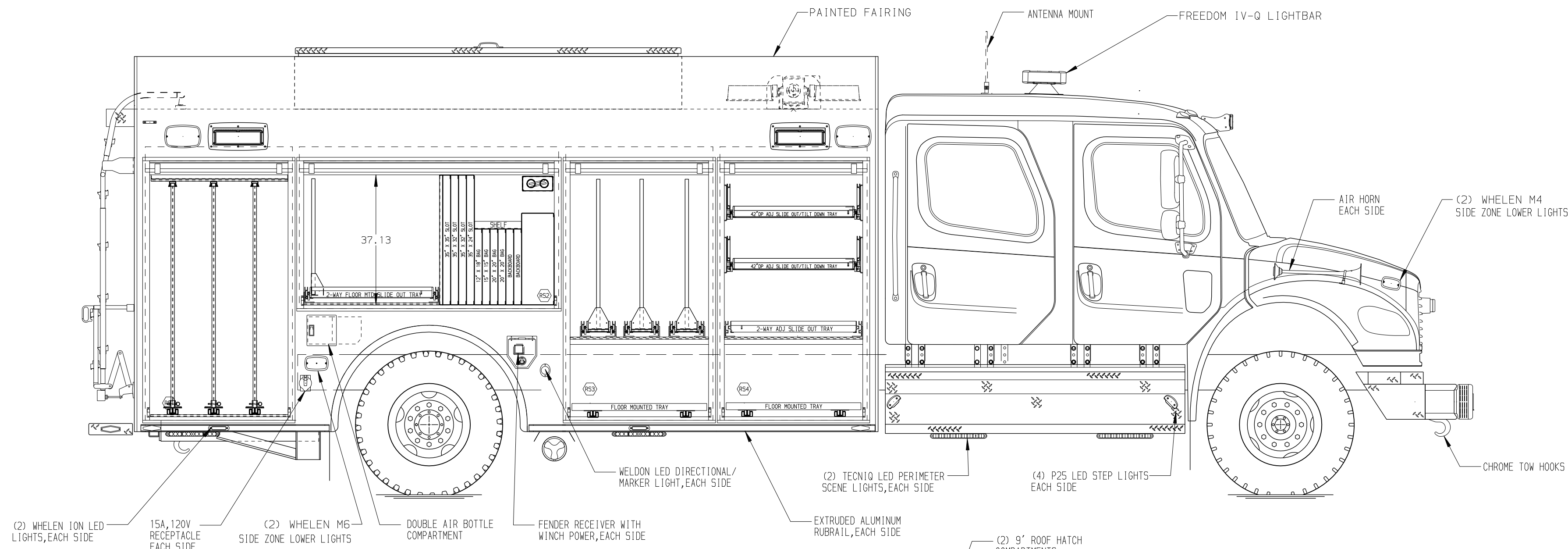
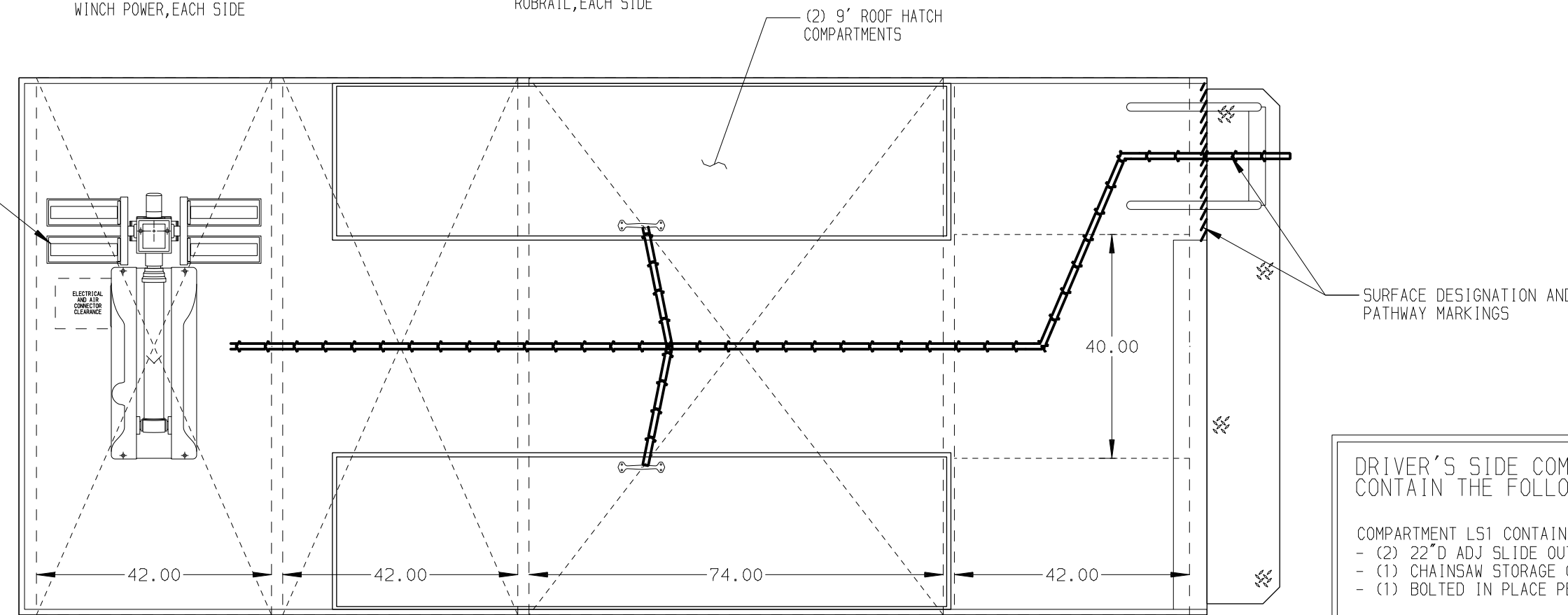


PASSENGER'S SIDE COMPARTMENTS CONTAIN THE FOLLOWING:

- COMPARTMENT RS1 CONTAINS:
 - (3) 22"D ADJ SLIDE OUT TOOLBOARDS
 -
- COMPARTMENT RS2 CONTAINS:
 - (1) VERTICAL COMPARTMENT DIVIDER
 - (1) 8 SLOT AIR BAG RACK
 - (1) STOKES BASKET STORAGE RACK
 - (1) STORAGE RACK FOR 2 BACKBOARDS
 - (2) PIKE POLE STORAGE TUBES
 - (1) 2-WAY FLOOR MOUNTED TRAY W/TOOLBOARD
 - (1) SHELF ON AIR BAG BACK
 -
- COMPARTMENT RS3 CONTAINS:
 - (1) FLOOR MOUNTED SLIDE OUT TRAY
 - (3) 42" DP TOOLBOARDS IN SLIDEOUT TRAYS
 - (1) HORIZONTAL FLOOR EXTENSION
 -
- COMPARTMENT RS4 CONTAINS:
 - (1) FLOOR MOUNTED SLIDE OUT TRAY
 - (1) FLOOR MOUNTED 2-WAY SLIDE OUT TRAY
 - (2) 42" DP SLIDE OUT/TILT DOWN TRAYS
 - (1) HORIZONTAL FLOOR EXTENSION
 -



WILL BURT NS CHIEF 1.8-640 WITH 4 FIRE RESEARCH MODEL V20 20,000 LUMENS LED LIGHT HEADS

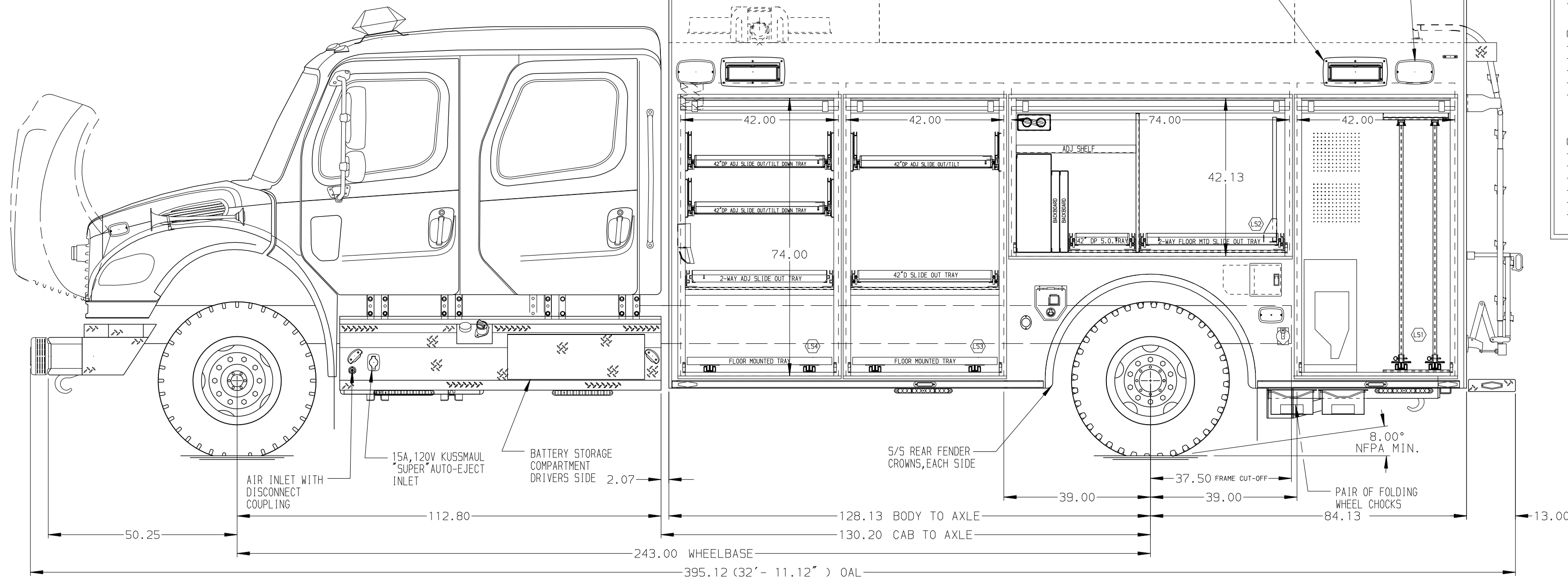
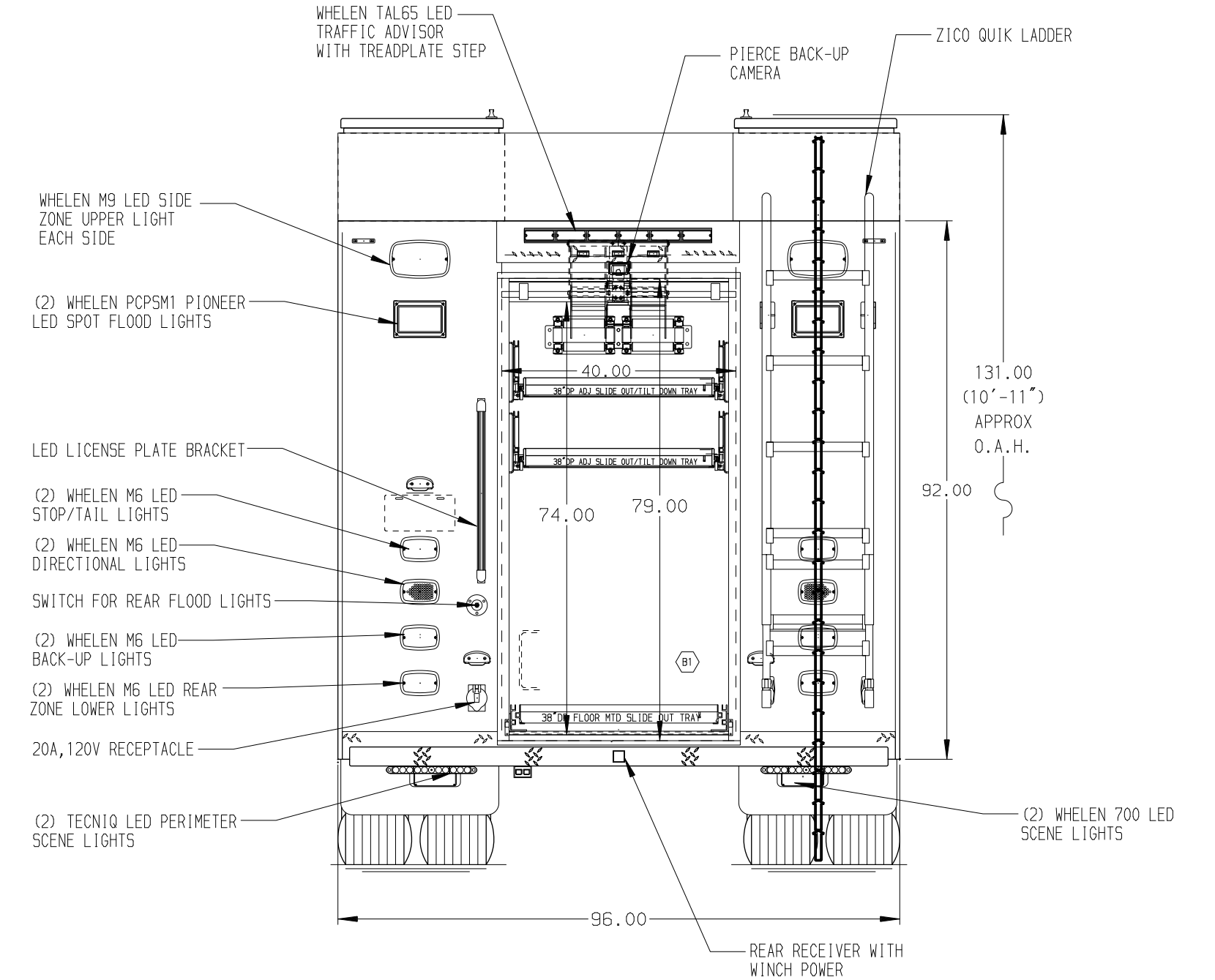


REAR COMPARTMENT CONTAINS THE FOLLOWING:

- COMPARTMENT R1 CONTAINS:
 - (2) 38" DP ADJ SLIDE OUT/TILT TRAYS
 - (1) 38" DP SLIDE OUT FLOOR TRAY
 - (1) CND 6011 DUAL HYD REEL WITH CAPTIVE ROLLER
 -

DRIVER'S SIDE COMPARTMENTS CONTAIN THE FOLLOWING:

- COMPARTMENT LS1 CONTAINS:
 - (2) 22"D ADJ SLIDE OUT TOOLBOARDS
 - (1) CHAINSAW STORAGE COMPT
 - (1) BOLTED IN PLACE PEGBOARD BACK WALL
 -
- COMPARTMENT LS2 CONTAINS:
 - (1) VERTICAL COMPARTMENT DIVIDER
 - (1) 42" DP SLIDE OUT FLOOR TRAY
 - (1) 2-WAY FLOOR MOUNTED TRAY W/TOOLBOARD
 - (1) STOKES BASKET STORAGE RACK
 - (1) STORAGE RACK FOR 2 BACKBOARDS
 - (2) PIKE POLE STORAGE TUBES
 - (1) 42" DP ADJ SHELF
 -
- COMPARTMENT LS3 CONTAINS:
 - (1) FLOOR MOUNTED SLIDE OUT TRAY
 - (1) 42" DP FLOOR MOUNTED SLIDE OUT TRAY
 - (1) 42" DP SLIDE OUT/TILT DOWN TRAY
 - (1) HORIZONTAL FLOOR EXTENSION
 -
- COMPARTMENT LS4 CONTAINS:
 - (1) FLOOR MOUNTED SLIDE OUT TRAY
 - (1) 2-WAY FLOOR MOUNTED SLIDE OUT TRAY
 - (1) HORIZONTAL FLOOR EXTENSION
 - (1) LIGHT MAST CONTROLLER
 - (1) KUSSMAUL CHARGER
 -



NOTE
 DIMENSIONS SHOWN ARE APPROXIMATE AND ARE SUBJECT TO MINOR DEVIATIONS AS MAY OCCUR OR BE NECESSARY IN CONSTRUCTION. MINOR DETAILS NOT SHOWN.

- NOTES:**
 1. 9000 LB PORTABLE WARN WINCH
 2. PULL-STRAPS ON ALL BODY ROLL-UP DOORS
 3. PIERCE LED LIGHTS IN ALL BODY COMPARTMENTS

REV	DATE	BY	CH	CHASSIS DATA
070C120	DHE	CDK		MAKE
28AUG20	DHE	CDK		FL
				MODEL
				M2-106

		JOB NO.	34787
		SCALE	DATE
TITLE	ENCORE RESCUE VEHICLE	DRAWN BY	JSW
FOR	42.42.74.42	CHECKED BY	JJF
	LAFAYETTE FIRE DEPT.	SHEET SIZE	SHEET NO.
DWG NO.	34787AD		1 OF 1