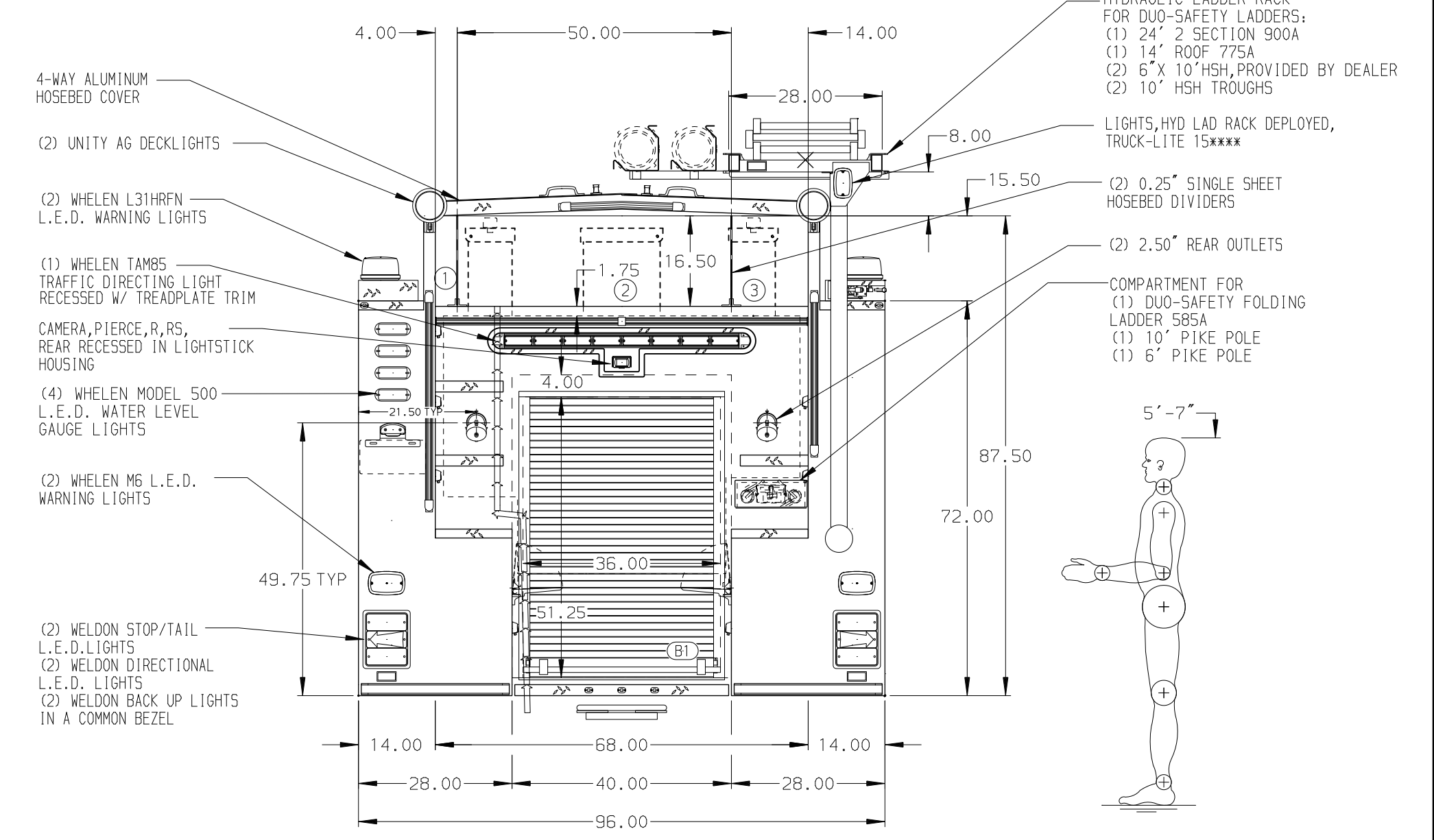
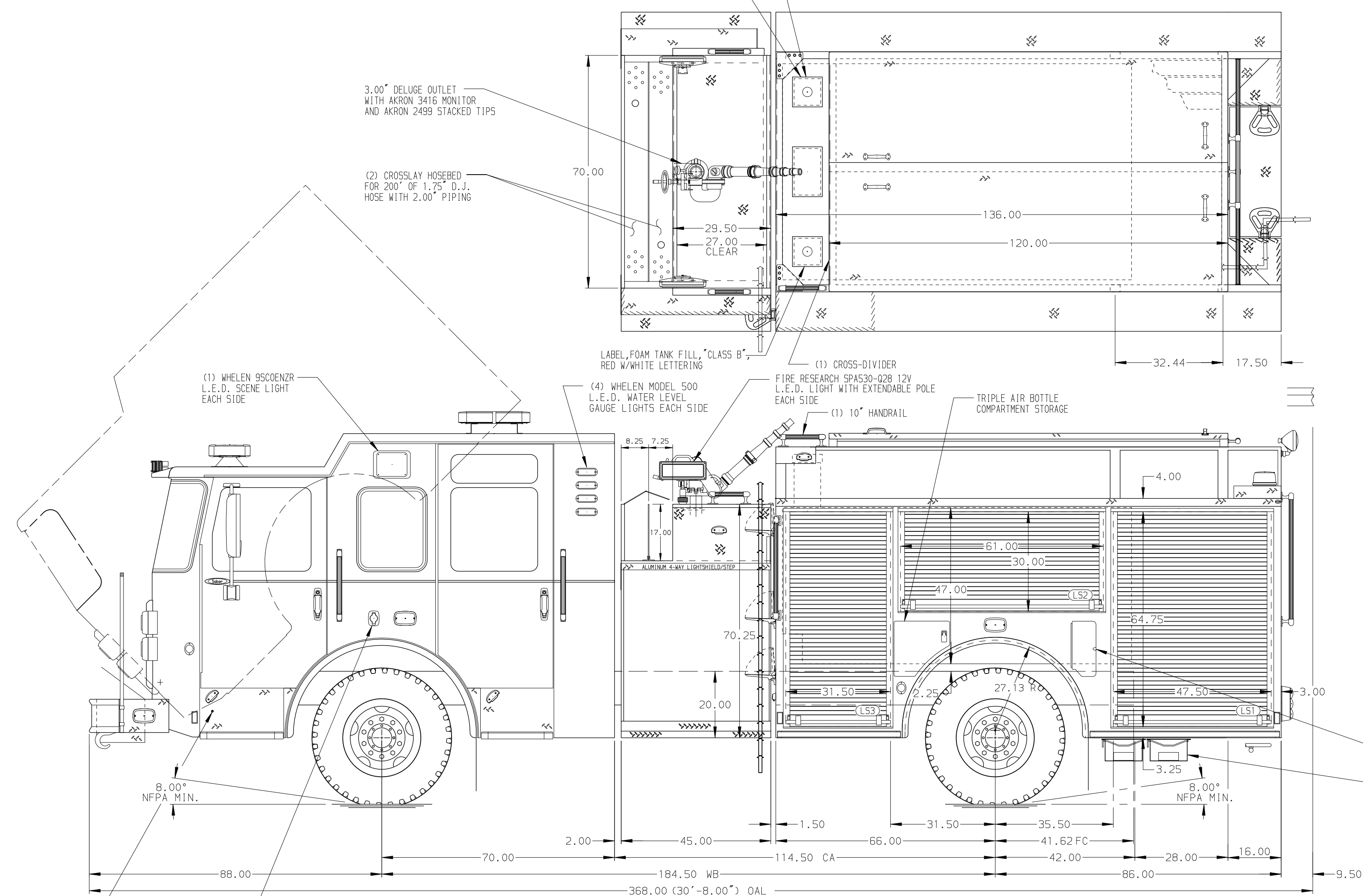


HOSEBED CAPACITIES

① 200' OF 1.75" D.J. HOSE

② 1200' OF 5.00" D.J. HOSE

③ 600' OF 2.50" D.J. HOSE



ALUMINUM BODY

NOTE
DIMENSIONS SHOWN ARE APPROXIMATE AND ARE SUBJECT TO MINOR DEVIATIONS AS MAY OCCUR OR BE NECESSARY IN CONSTRUCTION. MINOR DETAILS NOT SHOWN.

REV	DATE	BY	CH	SABER FR
06APR20	JLA	GSC		
16MAR20	JLA	GSC		

		JOB NO.	34786
		SCALE	DATE
TITLE	1250-D-970G WATER W/ TWO 30G FOAM 152" FH FDLR HYD LADDER RACK, AKRON 3416 MONITOR, (2)CROSSLAYS	DRAWN BY	KLE
FOR	EL PASO COUNTY ESD #2 EL PASO, TEXAS	CHECKED BY	WKL
DWG NO.	34786AD	SHEET SIZE	SHEET NO.
		D	1 OF 1