

Pumper, PUC

BODY

Pumper, PUC, Aluminum

CHASSIS

Enforcer Chassis, PUC

CHASSIS AXLE, FRONT, CUSTOM

19,500 Lb TAK-4 Axle

AXLE, REAR

31,000 Lb Dana Axle

ENGINE

450 HP Cummins L9 Engine

TRANSMISSION

Allison 5th Gen, 3000 EVS P

BUMPER

19" Extended Stainless Steel

CAB

7010 Enforcer Cab, PUC

BODY

WATER TANK

1000 Gallon Poly Water Tank

COMPT, PUMPER, REAR

40.50" FF RollUp Rear Compt w/Tailboard, PUC

COMPT, PUMPER, LEFT SIDE

189" RollUp Full Height & Depth Front & Rear, PUC

COMPT, PUMPER, RIGHT SIDE

189" RollUp Full Height & Depth Front & Rear, PUC

FIRE SUPPRESSION PUMPHOUSE

Control Zone, PUC

PUMP

1500 GPM Pierce PUC

CROSSLAYS, 1.50"

(2) 1.50", Poly Trays, 200'

CROSSLAYS, 2.50"

(1) 2.50", Poly Tray, 200'

GENERATOR

Generator Not Required

Foam System

Husky 3 Single Agent Foam System

Foam Cell

30 Gallon Foam Cell, Not Reduced Water, PUC

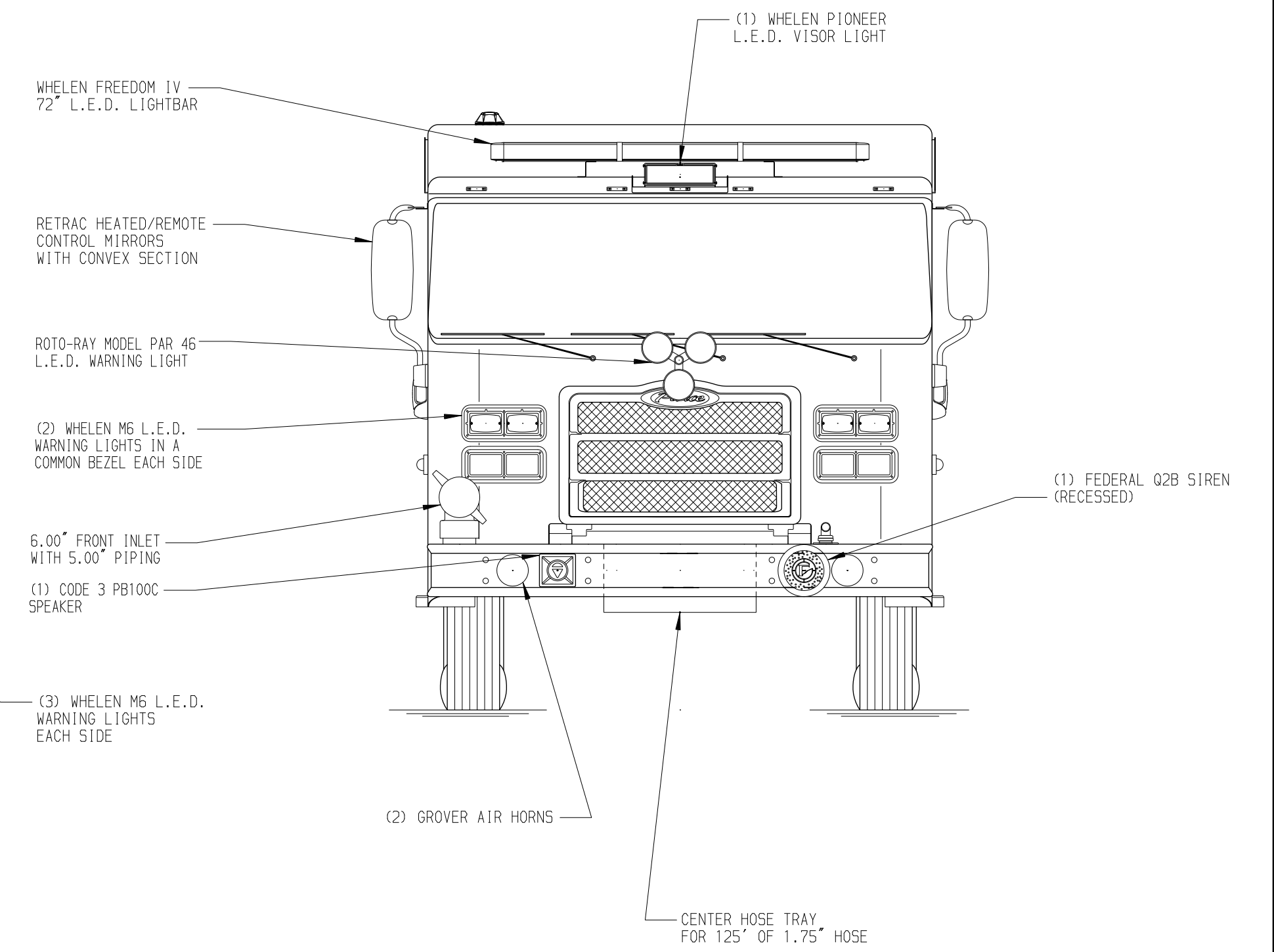
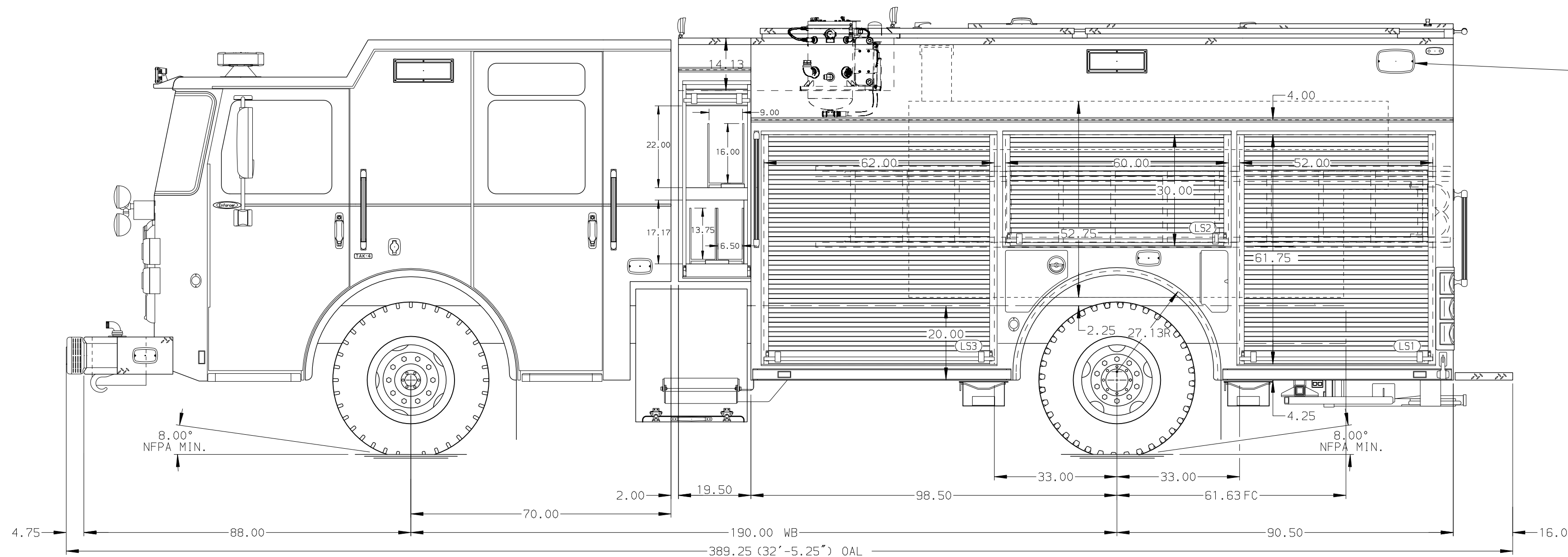
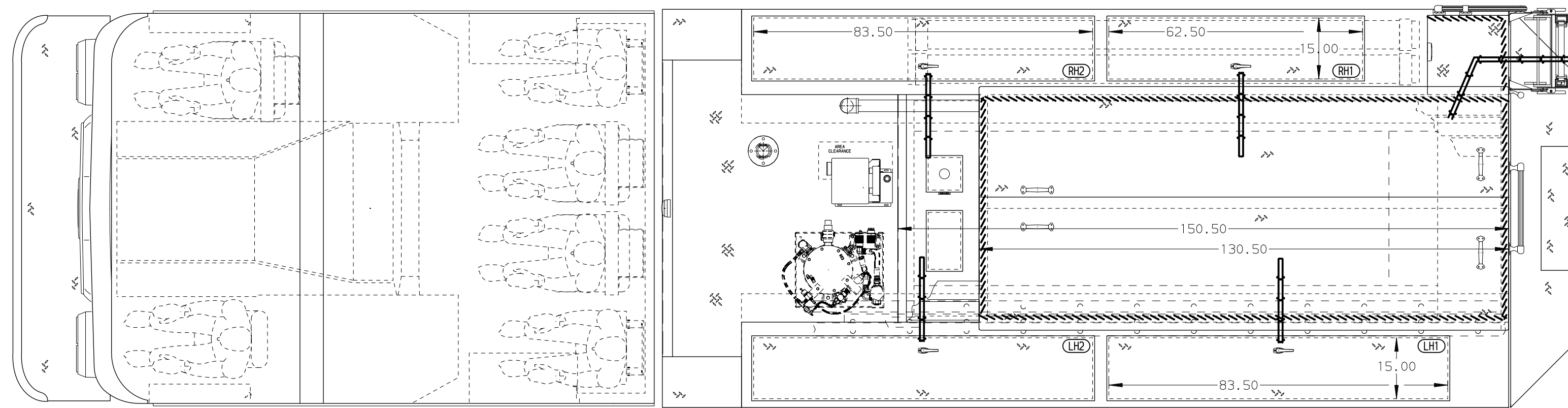
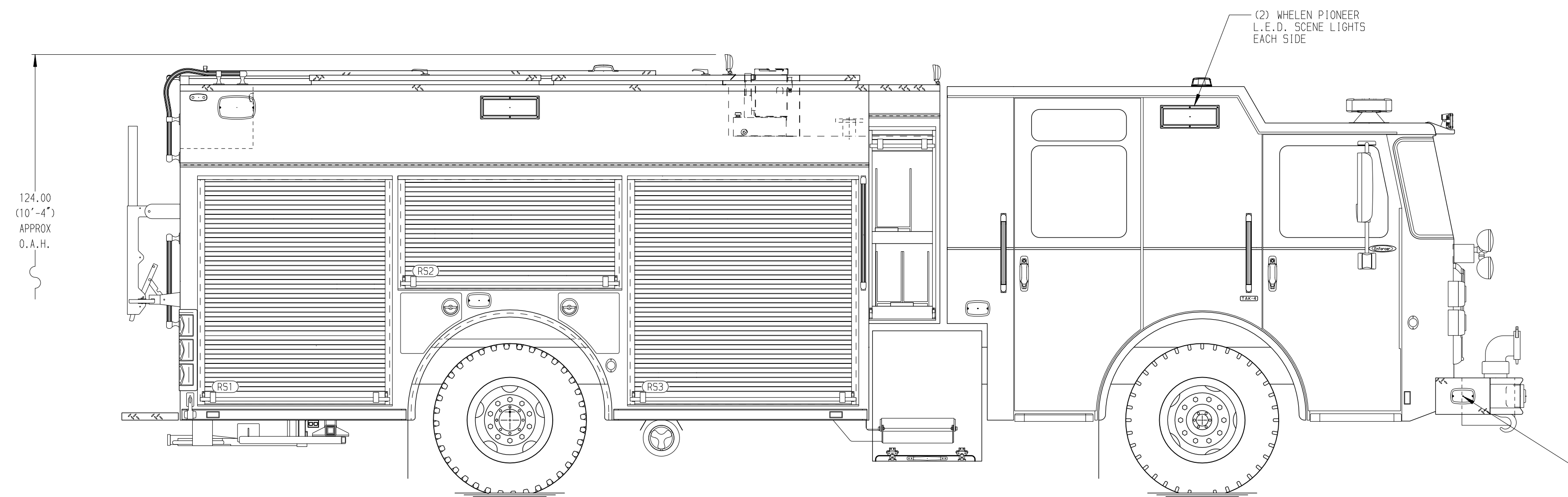
Side Roll and Frontal Impact Protection

NOTE

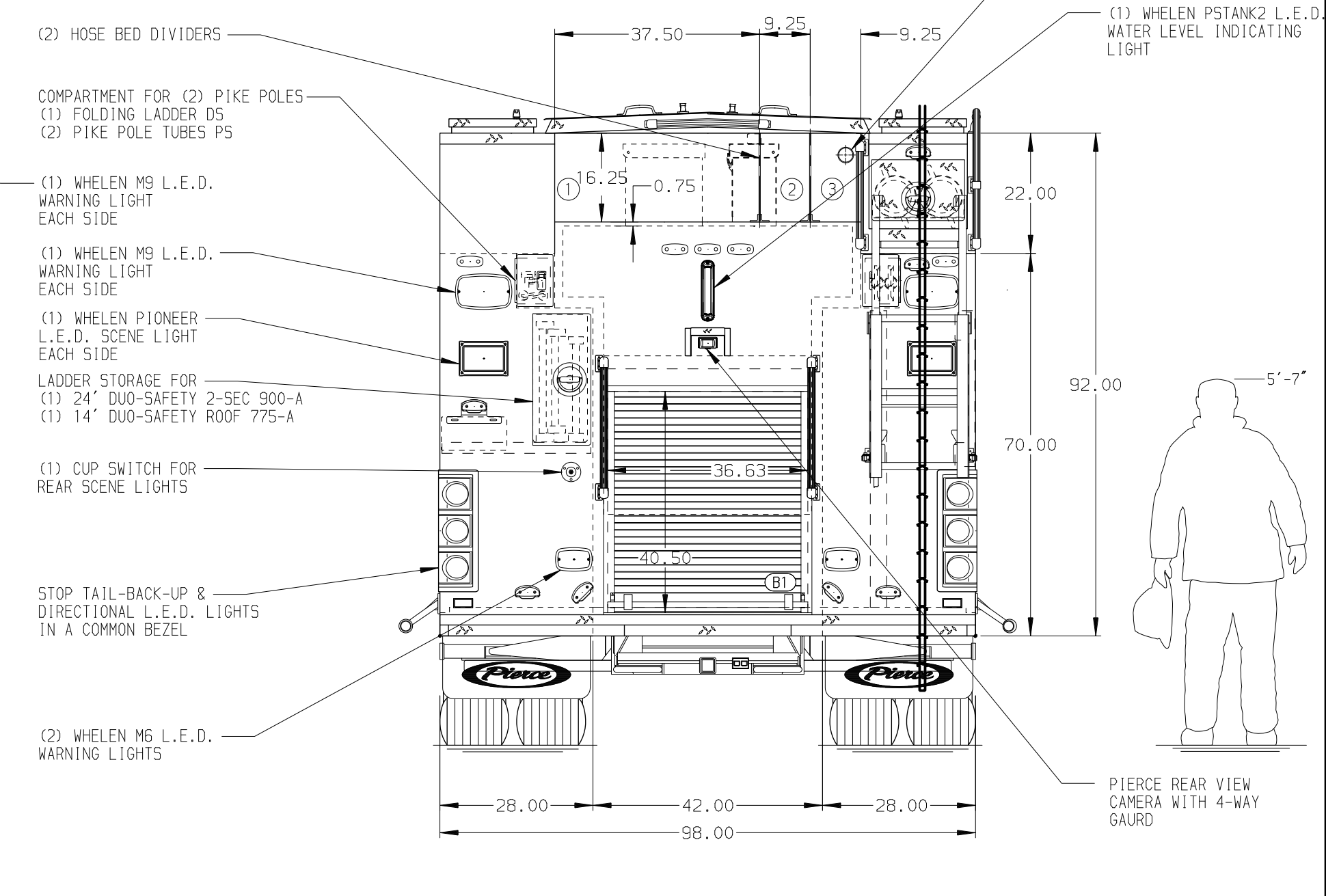
DIMENSIONS SHOWN ARE APPROXIMATE AND ARE SUBJECT TO MINOR DEVIATIONS AS MAY OCCUR OR BE NECESSARY IN CONSTRUCTION. MINOR DETAILS NOT SHOWN.

- ONE 1.50" OUTLET WITH 2.00" PIPING AND SHIVEL LOCATED IN CENTER BUMPER TRAY
- SHORELINE RECEPTACLE WITH KISSMALL SUPER AUTO-EJECT LOCATED ON DRIVER SIDE OF THE CAB
- AIR INLET WITH DISCONNECT COUPLING IN THE DRIVER SIDE STEPMELL
- BATTERY CHARGER LOCATED BEHIND DRIVER'S SEAT
- BATTERY CHARGE INDICATOR LOCATED ON THE DRIVER SIDE SEAT RISER
- THREE FULL WIDTH/DEPTH ADJUSTABLE SHELVES LOCATED PER SHOP ORDER
- FOUR FLOOR MOUNTED SLIDE-OUT TRAYS LOCATED PER SHOP ORDER
- ONE TOOLBOARD ADDED TO STANDARD DEPTH SLIDE-OUT TRAY LOCATED PER SHOP ORDER
- TWO SWING-OUT TOOLBOARDS LOCATED PER SHOP ORDER
- CTECH 2 DRAWER ASSEMBLY LOCATED PER SHOP ORDER
- FOUR ADJUSTABLE SLIDE-OUT TRAYS LOCATED PER SHOP ORDER
- ONE TILTING/SLIDE-OUT TRAY LOCATED PER SHOP ORDER
- ONE FLOOR MOUNTED SLIDE-OUT TRAY WITH SPECIAL SIDES LOCATED PER SHOP ORDER
- PARTITIONS BETWEEN COMPARTMENTS LS1/B1 & RS1/B1
- ONE VERTICAL PARTITION LOCATED PER SHOP ORDER
- ONE ADJUSTABLE FULL WIDTH/HALF DEPTH SHELF LOCATED PER SHOP ORDER

- ONE 1.50" OUTLET WITH 2.00" PIPING AND SHIVEL LOCATED IN CENTER BUMPER TRAY
- SHORELINE RECEPTACLE WITH KISSMALL SUPER AUTO-EJECT LOCATED ON DRIVER SIDE OF THE CAB
- AIR INLET WITH DISCONNECT COUPLING IN THE DRIVER SIDE STEPMELL
- BATTERY CHARGER LOCATED BEHIND DRIVER'S SEAT
- BATTERY CHARGE INDICATOR LOCATED ON THE DRIVER SIDE SEAT RISER
- THREE FULL WIDTH/DEPTH ADJUSTABLE SHELVES LOCATED PER SHOP ORDER
- FOUR FLOOR MOUNTED SLIDE-OUT TRAYS LOCATED PER SHOP ORDER
- ONE TOOLBOARD ADDED TO STANDARD DEPTH SLIDE-OUT TRAY LOCATED PER SHOP ORDER
- TWO SWING-OUT TOOLBOARDS LOCATED PER SHOP ORDER
- CTECH 2 DRAWER ASSEMBLY LOCATED PER SHOP ORDER
- FOUR ADJUSTABLE SLIDE-OUT TRAYS LOCATED PER SHOP ORDER
- ONE TILTING/SLIDE-OUT TRAY LOCATED PER SHOP ORDER
- ONE FLOOR MOUNTED SLIDE-OUT TRAY WITH SPECIAL SIDES LOCATED PER SHOP ORDER
- PARTITIONS BETWEEN COMPARTMENTS LS1/B1 & RS1/B1
- ONE VERTICAL PARTITION LOCATED PER SHOP ORDER
- ONE ADJUSTABLE FULL WIDTH/HALF DEPTH SHELF LOCATED PER SHOP ORDER



HOSEBED CAPACITY	
BED 1	1000' OF 4.00" D.J. POLY HOSE
BED 2	300' OF 2.50" D.J. POLY HOSE
BED 3	300' OF 2.50" D.J. POLY HOSE



Pierce MANUFACTURING INC.		JOB NO.	34731
		SCALE	DATE
		1:24	
Pierce PUC Pumper Approval Drawing		DRAWN BY	30MAR20
Winthrop Fire Department		CHECKED BY	01APR20
DWG NO. 34731AD		SHEET SIZE	SHEET NO.
		D	1 OF 1

REV	DATE	BY	CH	ENFORCER
20JUL20	MMF	JGO		CHASSIS DATA
04JUN20	MMF	JGO		PIERCE
				MODEL
				ENFORCER