

# Pumper, PUC BODY

Pumper, PUC, Aluminum

## CHASSIS

Enforcer Chassis, PUC

## CHASSIS AXLE, FRONT, CUSTOM

20,000 Lb Dana Axle

## AXLE, REAR

27,000 Lb Dana Axle

## ENGINE

450 HP Cummins L9 Engine

## TRANSMISSION

Allison 5th Gen, 3000 EVS P

## BUMPER

19" Extended Painted Steel

## CAB

7010 Enforcer Cab, PUC

## BODY

### WATER TANK

750 Gallon Poly Water Tank 67" Low Hosebed

### COMPT, PUMPER, REAR

33.50" FF RollUp Rear Compt w/Tailboard, PUC

### COMPT, PUMPER, LEFT SIDE

177" RollUp Full Height & Depth Front & Rear, PUC

### COMPT, PUMPER, RIGHT SIDE

177" RollUp Full Height & Depth Front & Rear, PUC

## FIRE SUPPRESSION PUMPHOUSE

Control Zone, PUC

### PUMP

1500 GPM Pierce PUC

### CROSSLAYS, 1.50"

1.50" CrossLay Not Required

### CROSSLAYS, 2.50"

2.50" CrossLay Not Required

### GENERATOR

Generator Not Required

### Foam System

Foam System Not Required

### Foam Cell

Foam Cell Not Required

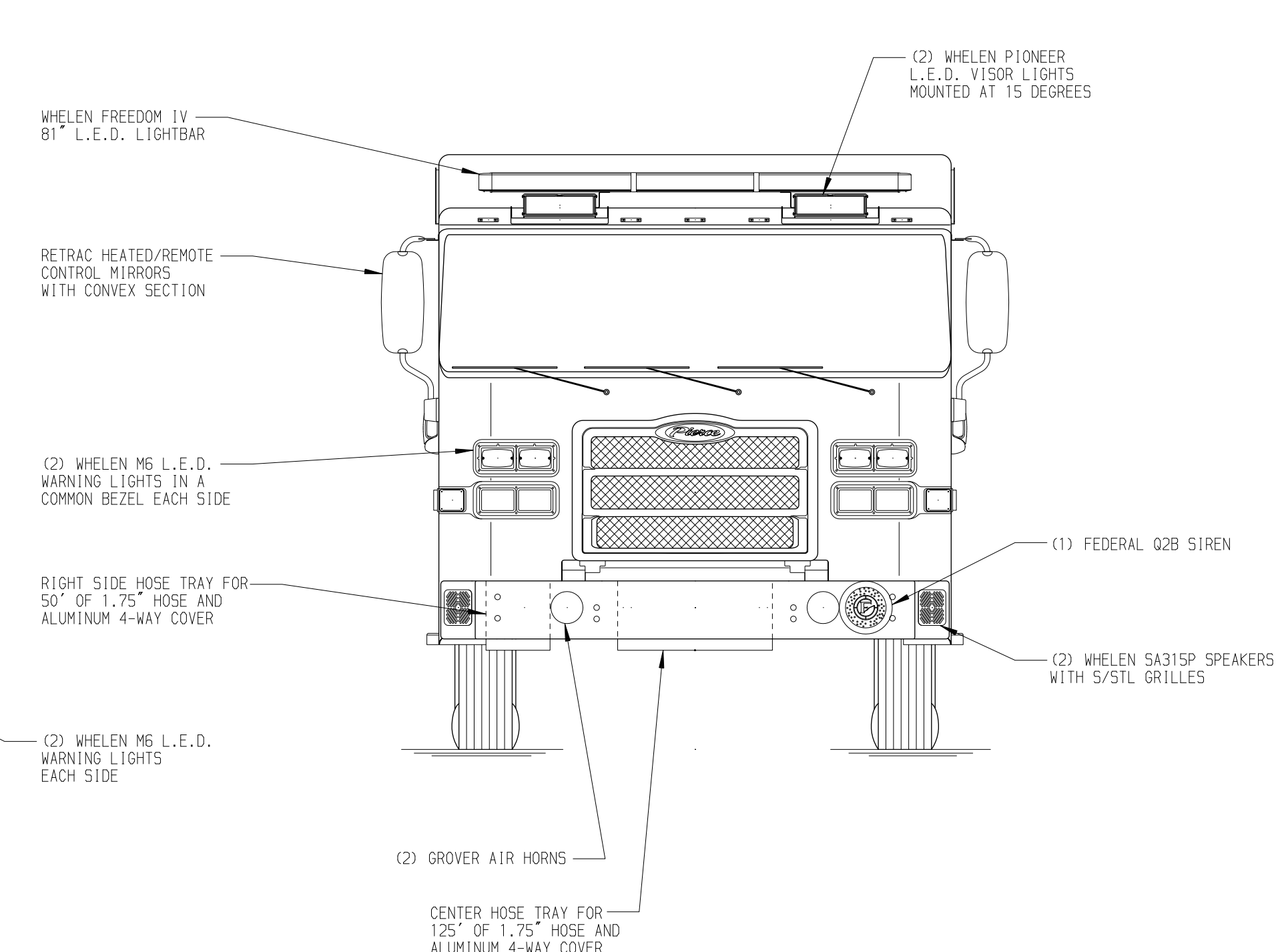
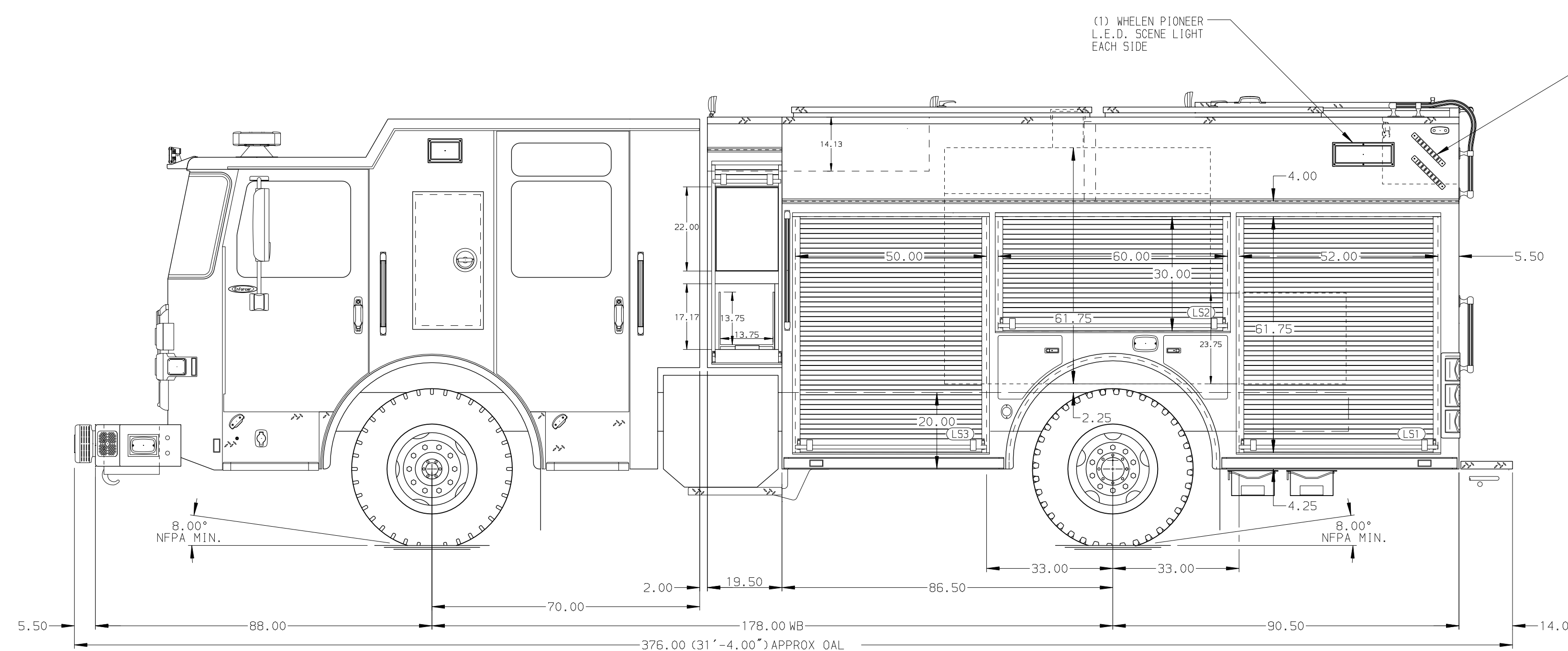
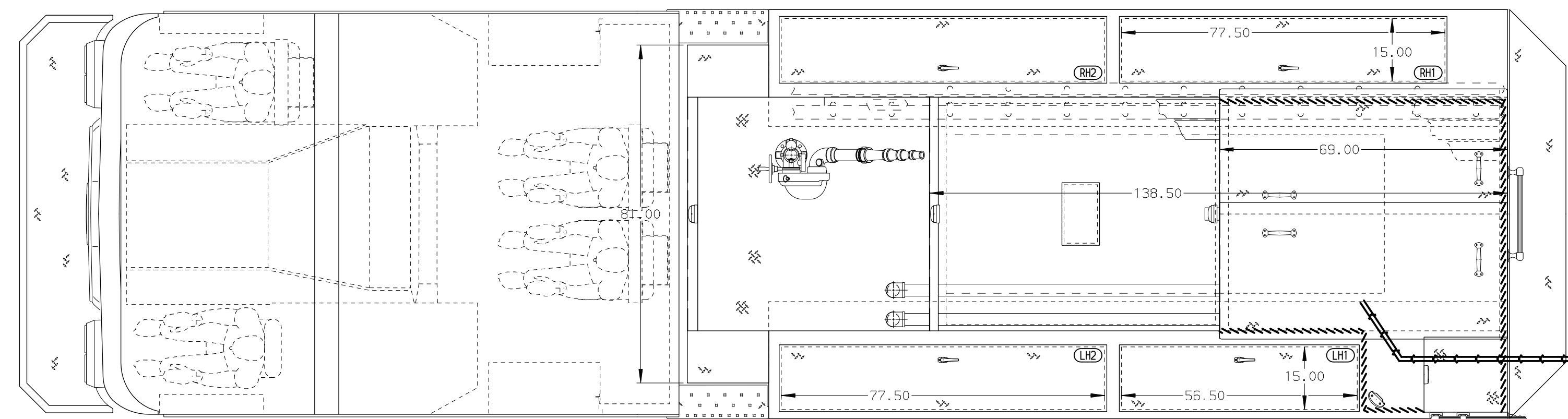
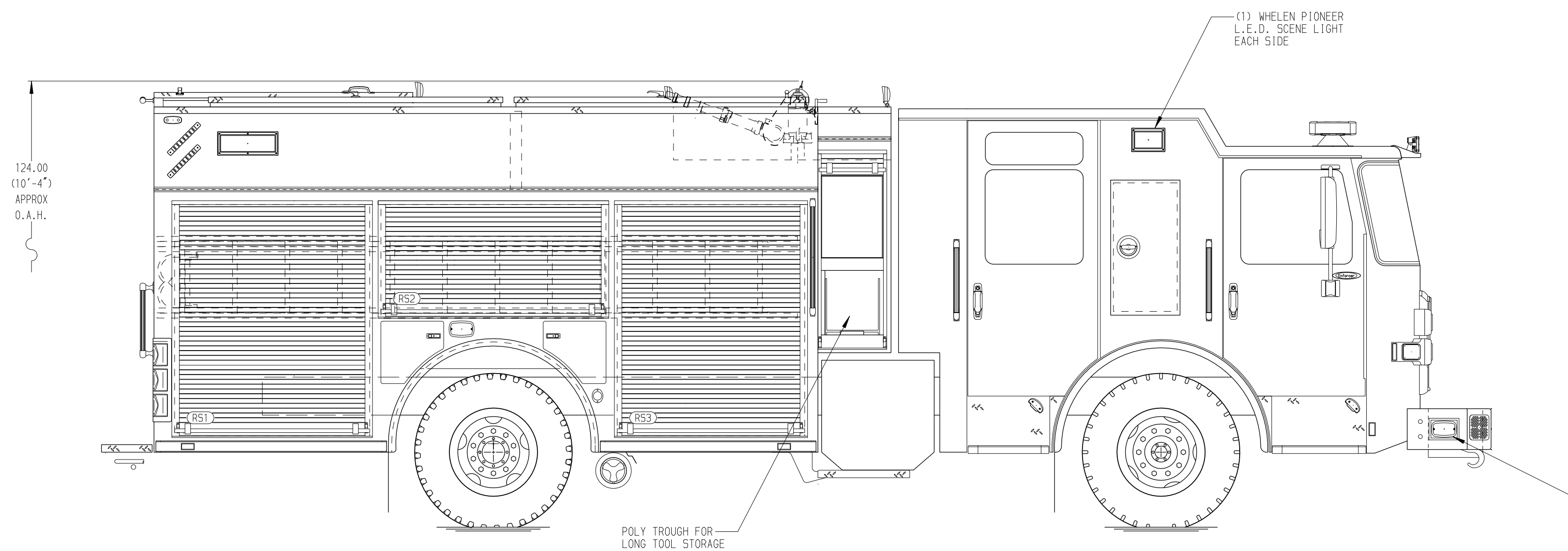
Side Roll and Frontal Impact Protection

### NOTE

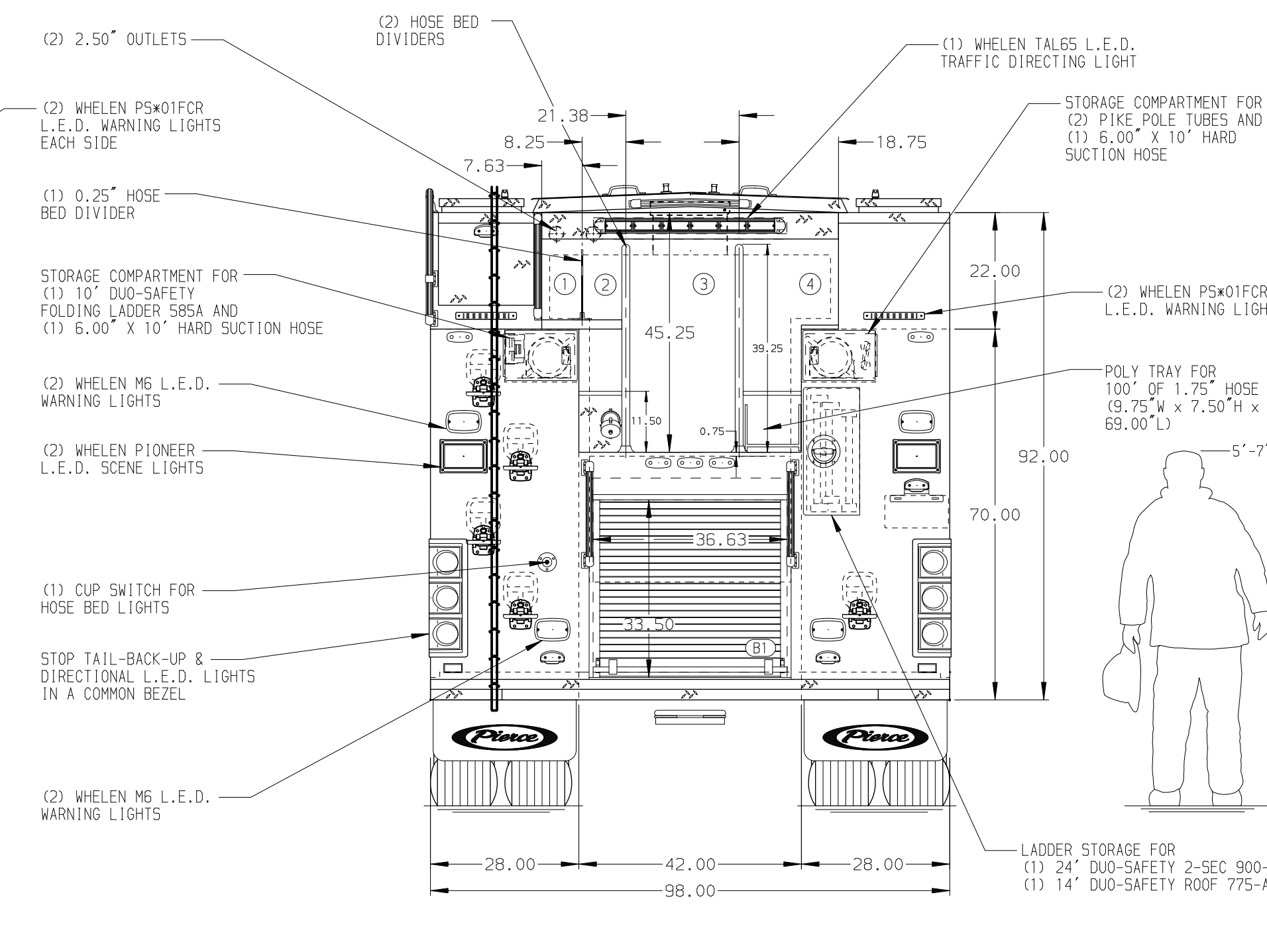
DIMENSIONS SHOWN ARE APPROXIMATE AND ARE SUBJECT TO MINOR DEVIATIONS AS MAY OCCUR OR BE NECESSARY IN CONSTRUCTION. MINOR DETAILS NOT SHOWN.

- ONE 2.50" OUTLET WITH 2.50" PIPING AND SWIVEL LOCATED IN CENTER BUMPER TRAY
- SHORELINE RECEPTACLE WITH KUSSMAUL SUPER AUTO-EJECT LOCATED ON DRIVER'S STEP AREA
- AIR INLET WITH DISCONNECT COUPLING IN THE DRIVER SIDE STEPWELL
- BATTERY CHARGER LOCATED BEHIND DRIVER'S SEAT
- BATTERY CHARGE INDICATOR LOCATED ON THE DRIVER SIDE SEAT RISER
- SEVEN ADJUSTABLE SHELVES LOCATED PER SHOP ORDER
- THREE FLOOR MOUNTED SLIDE-OUT TRAYS LOCATED PER SHOP ORDER
- ONE TILTING/SLIDE-OUT TRAY LOCATED PER SHOP ORDER
- ONE SLIDE-OUT TOOLBOARD LOCATED PER SHOP ORDER
- ONE ADJUSTABLE SLIDE-OUT TRAY LOCATED PER SHOP ORDER

- ALUMINUM PEGBOARD LOCATED ON COMPARTMENT WALLS PER SHOP ORDER
- FIVE Z100 AIR BOTTLE HOLDERS LOCATED PER SHOP ORDER
- THREE 120V DUPLEX RECEPTACLES LOCATED PER SHOP ORDER
- FOUR 120V 6-PLACE RECEPTACLES LOCATED PER SHOP ORDER
- ONE VERTICAL DIVIDER LOCATED PER SHOP ORDER
- RETENTION WEBBING LOCATED PER SHOP ORDER



HOSEBED CAPACITY	
BED 1	200' OF 1.75" D.J. POLY HOSE
BED 2	200' OF 1.75" D.J. POLY HOSE
BED 3	900' OF 4.00" D.J. POLY HOSE
BED 4	650' OF 2.50" D.J. POLY HOSE



		JOB NO.	34719
		SCALE	DATE
<b>Pierce</b> MANUFACTURING INC.	TITLE	Pierce Pumper Approval Drawing	
	FOR	Wrentham Fire Department	
REV	DATE	BY	CH
12MAR20	COL	JGO	
28FEB20	COL	JGO	
CHASSIS DATA		DWG NO.	34719AD
PIERCE		SHEET NO.	1 OF 1