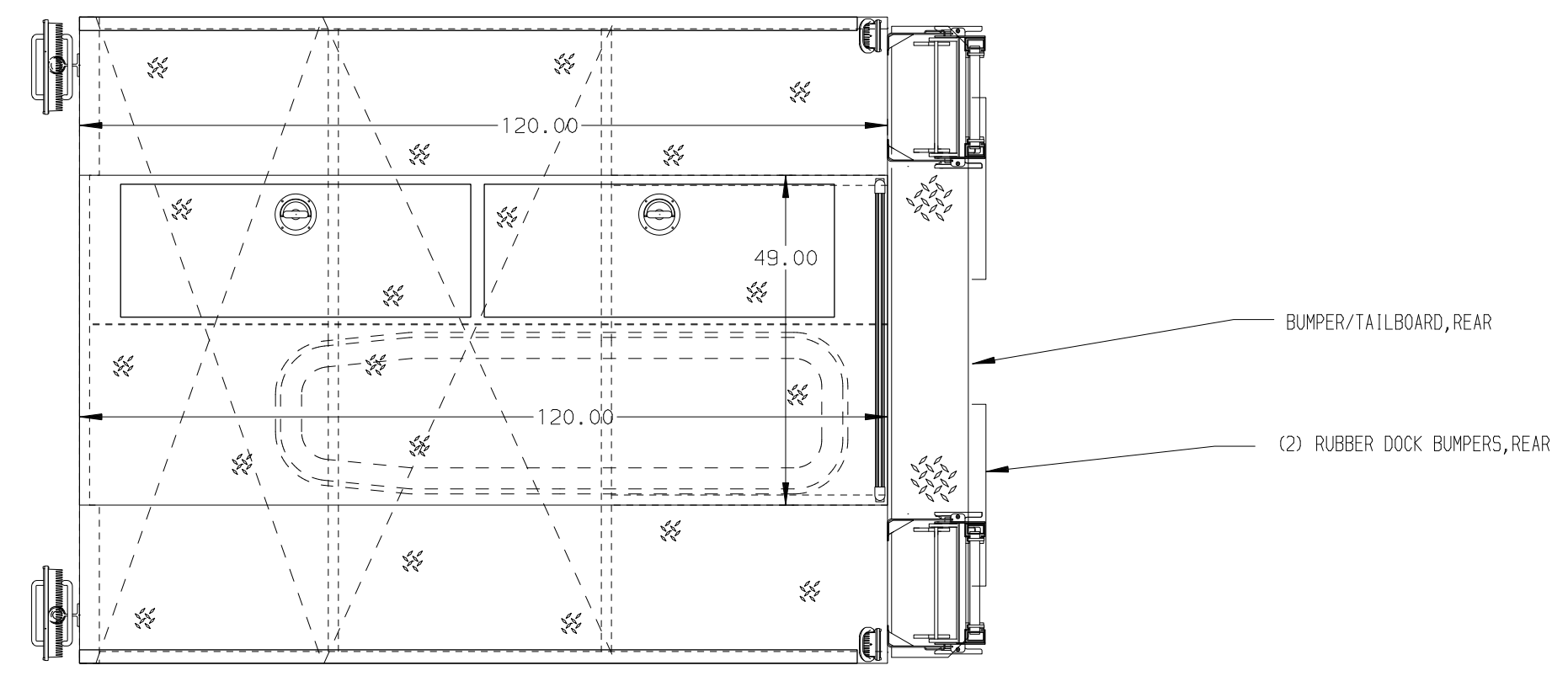
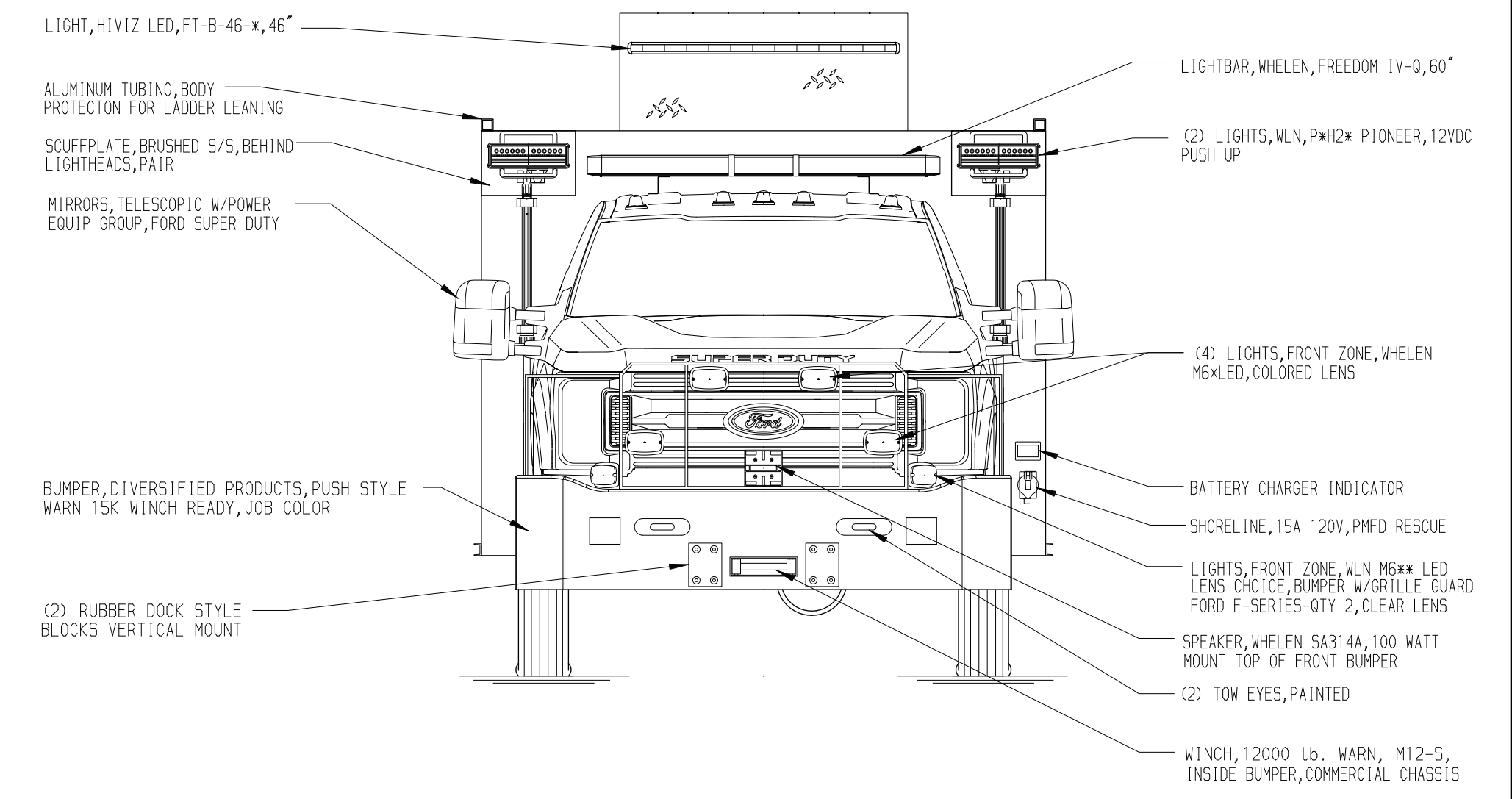
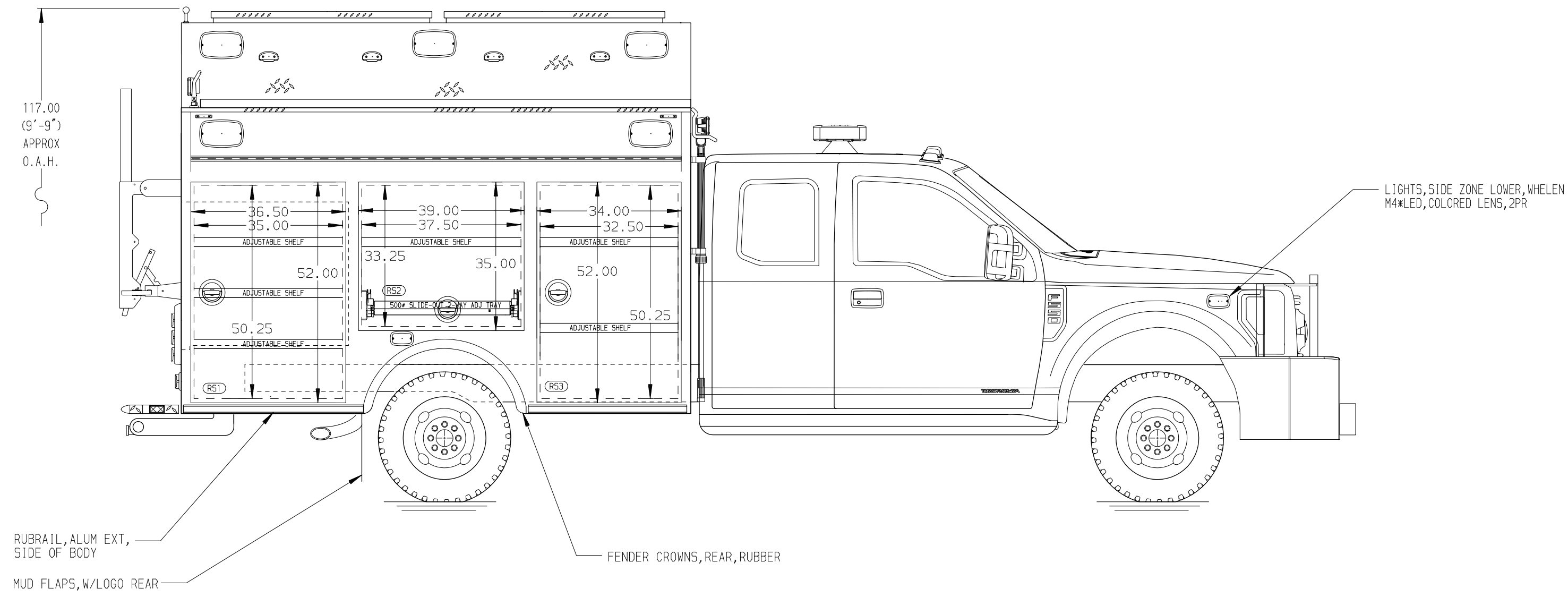


PASSENGER'S SIDE COMPARTMENTS CONTAIN THE FOLLOWING:

COMPARTMENT R51 CONTAINS:
 - (3) SHELF, ADJUSTABLE, 500LB CAP, STD DEPTH COMPT

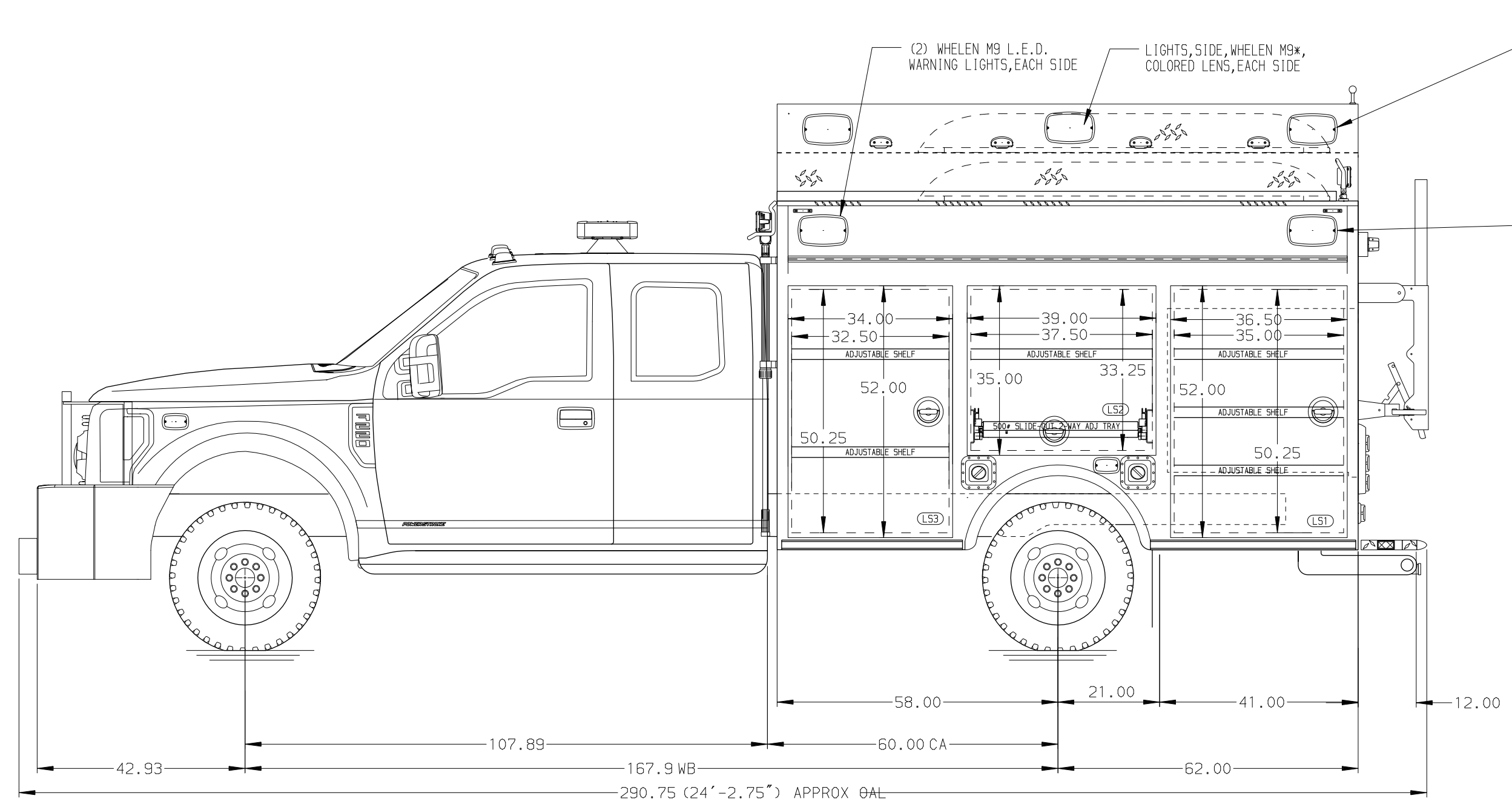
COMPARTMENT R52 CONTAINS:
 - (1) SHELF, ADJUSTABLE, 500LB CAP, TRANSVERSE COMPT
 - (1) TRAY, SLIDE OUT, TWO WAY, TRANSVERSE COMPT
 ADJUSTABLE HEIGHT, 500LB CAPACITY

COMPARTMENT R53 CONTAINS:
 - (2) SHELF, ADJUSTABLE, 500LB CAP, 1/2 DEPTH OF TRANSVERSE COMPT



REAR COMPARTMENT B1 CONTAINS THE FOLLOWING:

COMPARTMENT B1 CONTAINS:
 - (1) TRAY, FLOOR MOUNTED SLIDE OUT, 500LB CAPACITY, 2 SIDES
 - (1) SHELF, ADJUSTABLE, 500LB CAP, STANDARD DEPTH COMPT
 - (1) COMPARTMENT DIVIDER, VERTICAL

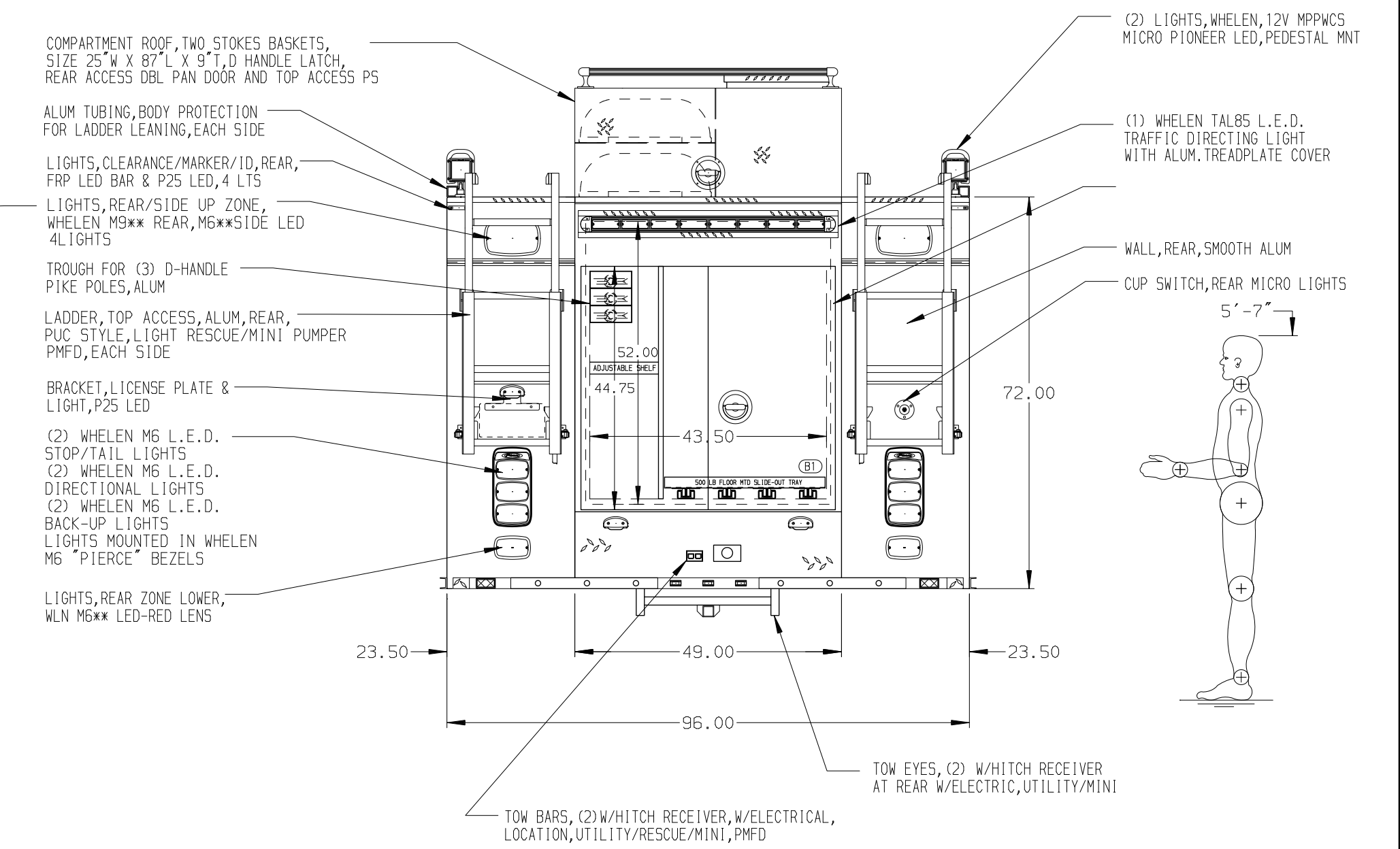


DRIVER'S SIDE COMPARTMENTS CONTAIN THE FOLLOWING:

COMPARTMENT L51 CONTAINS:
 - (3) SHELF, ADJUSTABLE, 500LB CAP, STD DEPTH COMPT

COMPARTMENT L52 CONTAINS:
 - (1) SHELF, ADJUSTABLE, 500LB CAP, TRANSVERSE COMPT
 - (1) TRAY, SLIDE OUT, TWO WAY, TRANSVERSE COMPT
 ADJUSTABLE HEIGHT, 500LB CAPACITY

COMPARTMENT L53 CONTAINS:
 - (2) SHELF, ADJUSTABLE, 500LB CAP, 1/2 DEPTH OF TRANSVERSE COMPT



NOTE
 DIMENSIONS SHOWN ARE APPROXIMATE AND ARE SUBJECT TO MINOR DEVIATIONS AS MAY OCCUR OR BE NECESSARY IN CONSTRUCTION. MINOR DETAILS NOT SHOWN.

REV.	DATE	BY	CHK'D	CHASSIS DATA
18NOV20	JLA	AJA		CHASSIS DATA
02OCT20	RHU	AJA		CHASSIS FORD
13AUG20	JLA	RWI		MODEL F550 4X4

<p>MANUFACTURING INC. BRADENTON, FLORIDA</p>		JOB NO.	34703
		DATE	22JUL20
TITLE	PMFD RESCUE, 60 CA NON-WALKIN	SCALE	1:24
FOR	NEW JERSEY TRANSIT NEWARK, NEW JERSEY	DRAWN BY	JLA
DRWG. NO.	34703AD	CHK'D BY	RWI
		SHEET NO.	1 OF 1
		SHEET SIZE	D