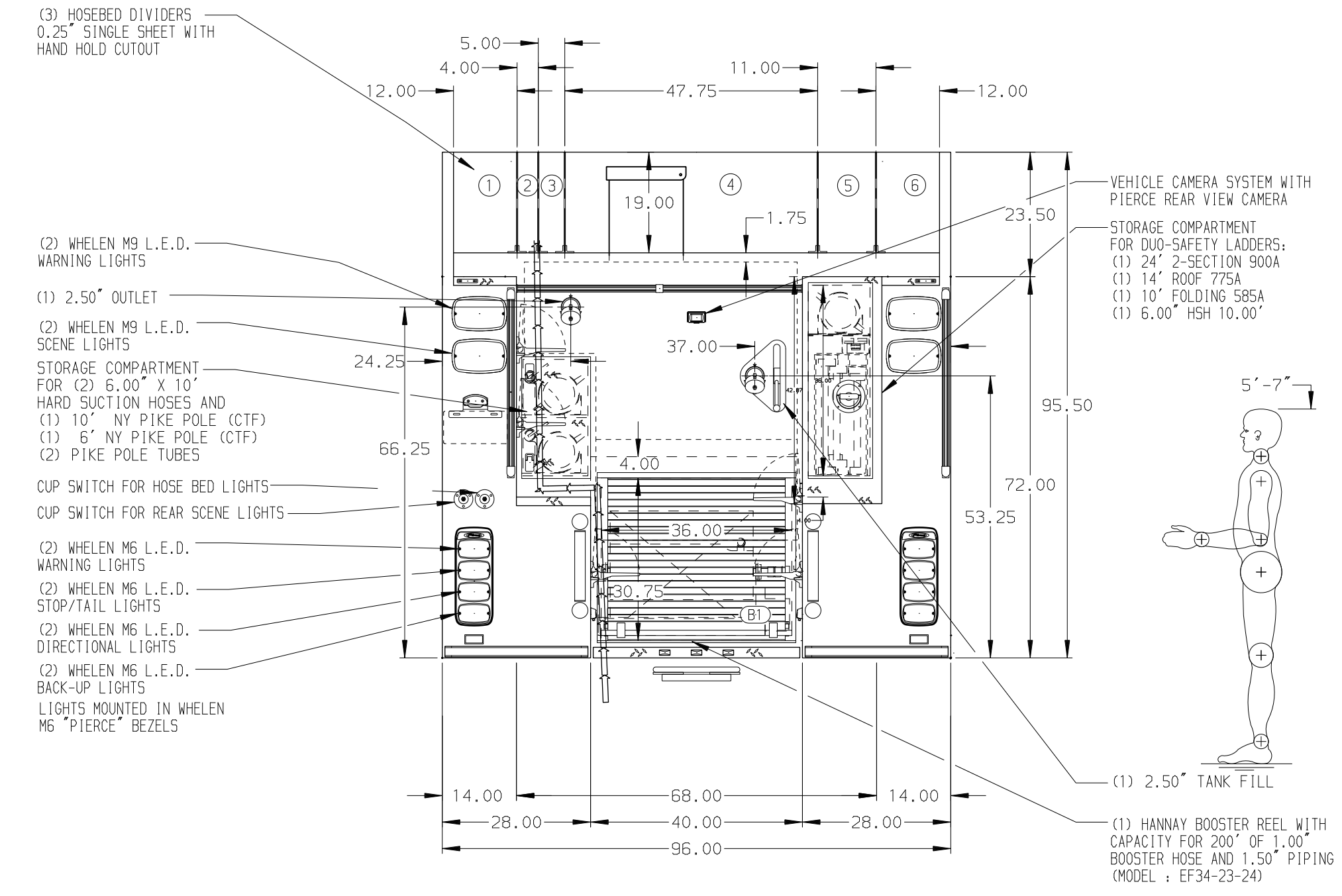
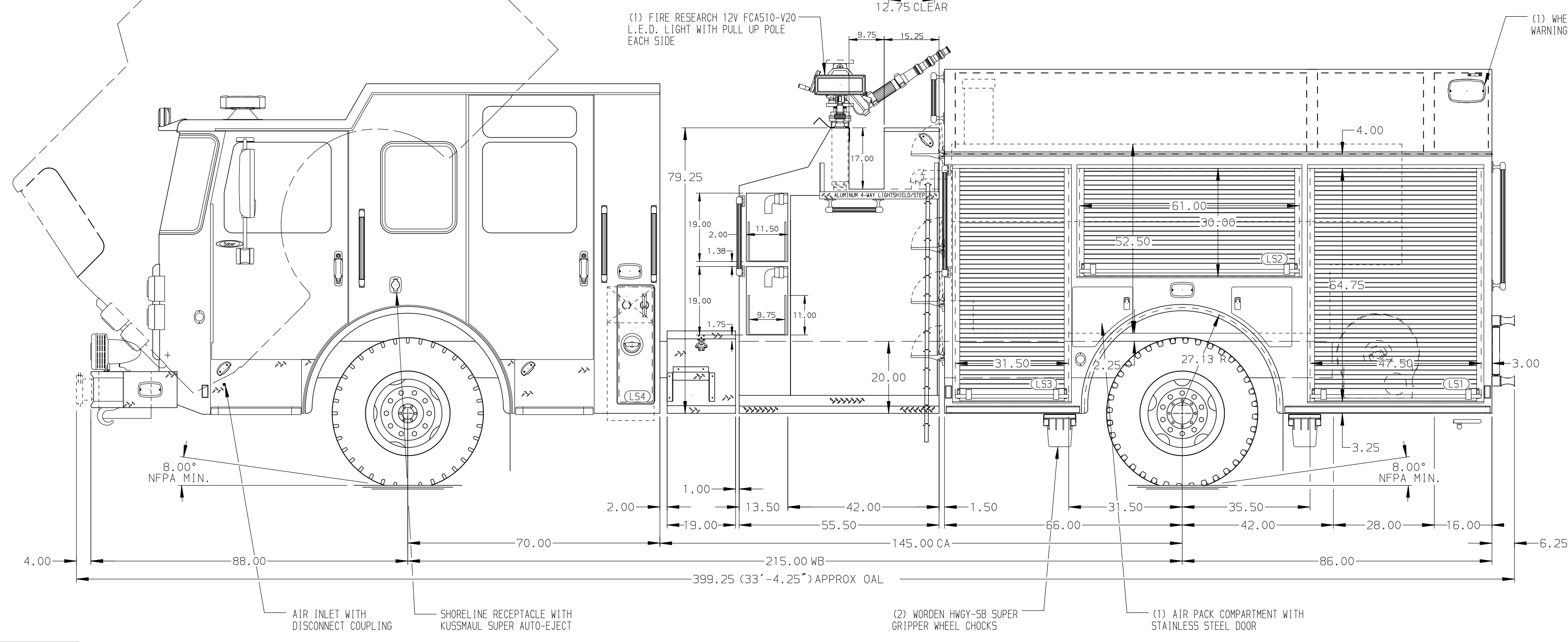


- HOSEBED CAPACITIES**
- ① EMPTY FOR EQUIPMENT
  - ② 250' OF 1.75\"/>



**ALUMINUM BODY**

**NOTE**  
DIMENSIONS SHOWN ARE APPROXIMATE AND ARE SUBJECT TO MINOR DEVIATIONS AS MAY OCCUR OR BE NECESSARY IN CONSTRUCTION. MINOR DETAILS NOT SHOWN.

|  |  |            |        |          |      |         |     |     |        |         |     |     |       |     |      |    |    |          |            |           |
|--|--|------------|--------|----------|------|---------|-----|-----|--------|---------|-----|-----|-------|-----|------|----|----|----------|------------|-----------|
|  |  | JOB NO.    | 34701  |          |      |         |     |     |        |         |     |     |       |     |      |    |    |          |            |           |
|  |  | SCALE      | 1:24   |          |      |         |     |     |        |         |     |     |       |     |      |    |    |          |            |           |
| <b>TITLE</b><br>1500-D-1000G TANK, 152" FH FDLR BODY, HSH COMPT LS LADDERS BTWN TANK & SS, (1) XLAY, (2) SPEEDLAYS | <b>FOR</b><br>TOWNSHIP OF WEST MILFORD<br>WEST MILFORD, NEW JERSEY   | DRAWN BY   | KLE    |          |      |         |     |     |        |         |     |     |       |     |      |    |    |          |            |           |
|  |  | CHECKED BY | CDU    |          |      |         |     |     |        |         |     |     |       |     |      |    |    |          |            |           |
| <b>DWG NO.</b><br>34701AD  | <b>DATE</b><br><table border="1"> <tr><td>30MAR20</td><td>CRH</td><td>AJA</td><td>MAKE</td></tr> <tr><td>05MAR20</td><td>CRH</td><td>AJA</td><td>PIERCE</td></tr> <tr><td>14JAN20</td><td>KLE</td><td>CDU</td><td>MODEL</td></tr> <tr><td>REV</td><td>DATE</td><td>BY</td><td>CH</td><td>SABER FR</td></tr> </table> | 30MAR20    | CRH    | AJA      | MAKE | 05MAR20 | CRH | AJA | PIERCE | 14JAN20 | KLE | CDU | MODEL | REV | DATE | BY | CH | SABER FR | SHEET SIZE | SHEET NO. |
|  |  | 30MAR20    | CRH    | AJA      | MAKE |         |     |     |        |         |     |     |       |     |      |    |    |          |            |           |
| 05MAR20  | CRH  | AJA        | PIERCE |          |      |         |     |     |        |         |     |     |       |     |      |    |    |          |            |           |
| 14JAN20  | KLE  | CDU        | MODEL  |          |      |         |     |     |        |         |     |     |       |     |      |    |    |          |            |           |
| REV  | DATE   | BY         | CH     | SABER FR |      |         |     |     |        |         |     |     |       |     |      |    |    |          |            |           |
|  |  | D          | 1 OF 1 |          |      |         |     |     |        |         |     |     |       |     |      |    |    |          |            |           |