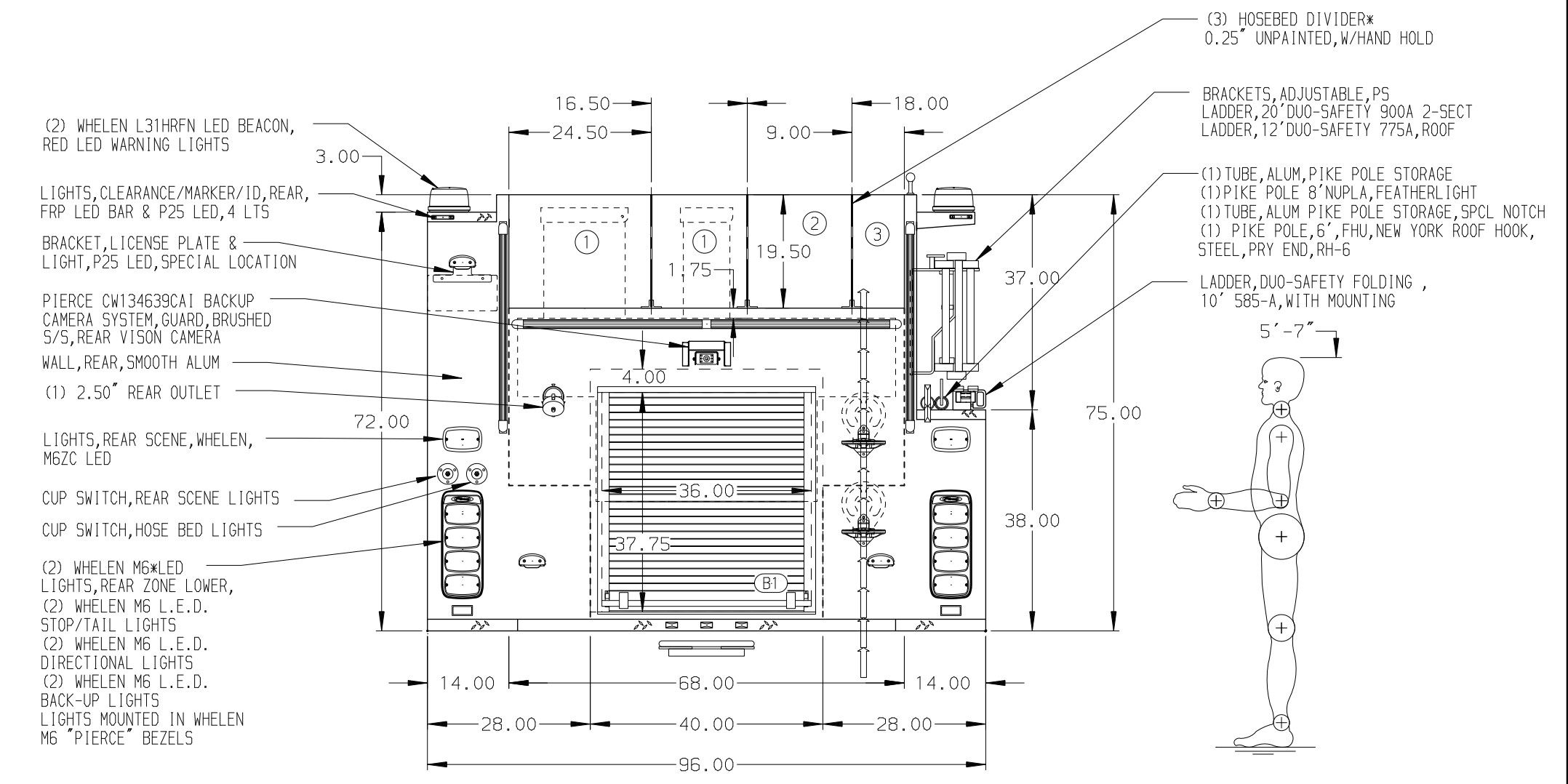
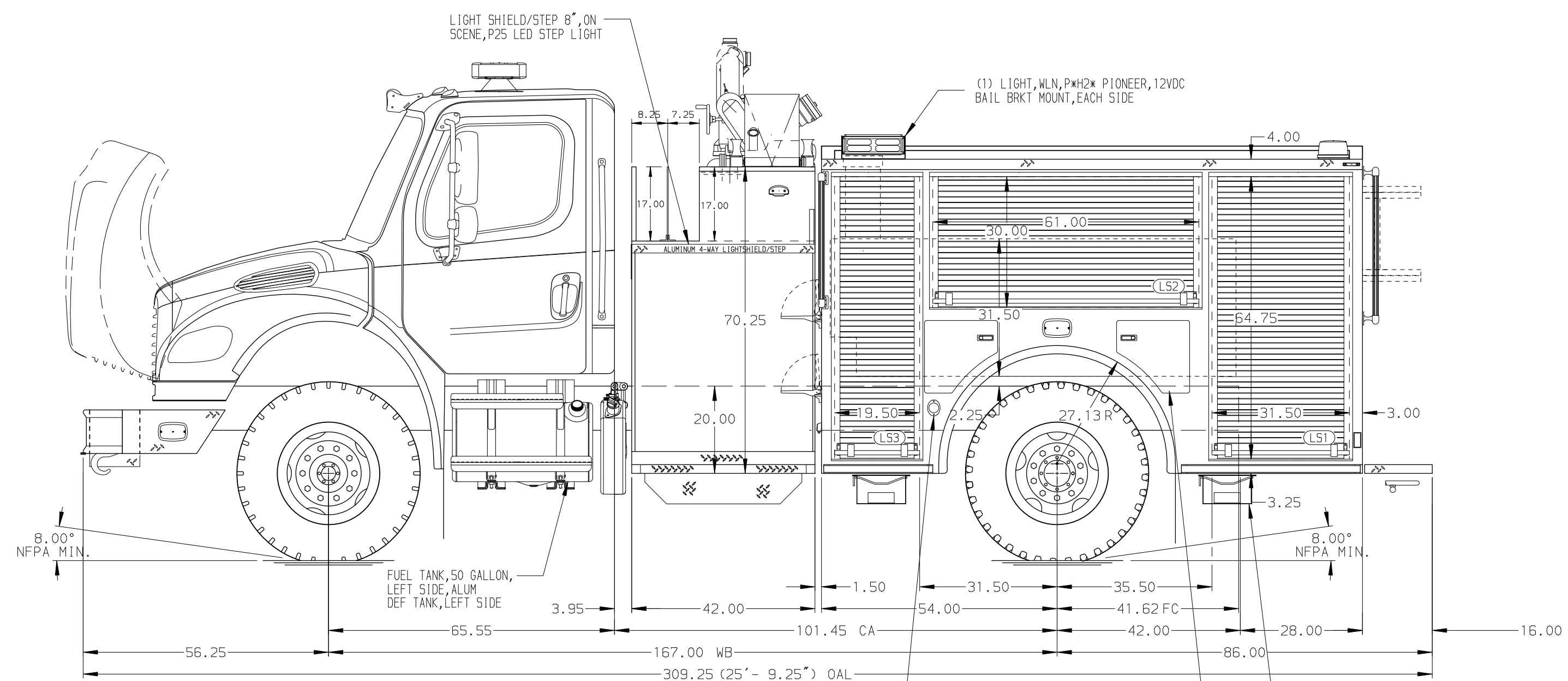


- HOSEBED CAPACITIES
- ① 1000' OF 5.00" D.J. HOSE
 - ② 500' OF 3.00" D.J. HOSE
 - ③ 400' OF 1.75" D.J. HOSE



ALUMINUM BODY

NOTE
DIMENSIONS SHOWN ARE APPROXIMATE AND ARE SUBJECT TO MINOR DEVIATIONS AS MAY OCCUR OR BE NECESSARY IN CONSTRUCTION. MINOR DETAILS NOT SHOWN.

						JOB NO.	34677
						SCALE	DATE
						1:24	30MAR20
						DRAWN BY	JLA
						CHECKED BY	RWI
						SHEET SIZE	SHEET NO.
						D	1 OF 1
REV	DATE	BY	CH	CHASSIS DATA	TITLE	1250-D-500P, 30G FOAM, 124" BDY, FL HGHT FRT&RR LS, LOW RS 42" SIDE CONTROL, (2) 1.5" CROSSLAYS	
03AUG20	JLA	GSC		MAKE	FOR	LAKE CONROE-TX MONTGOMERY, TEXAS	
22JUN20	CRH	GSC		FL	DWG NO.	34677AD	
24APR20	JLA	GSC		MODEL			
				M2-106			