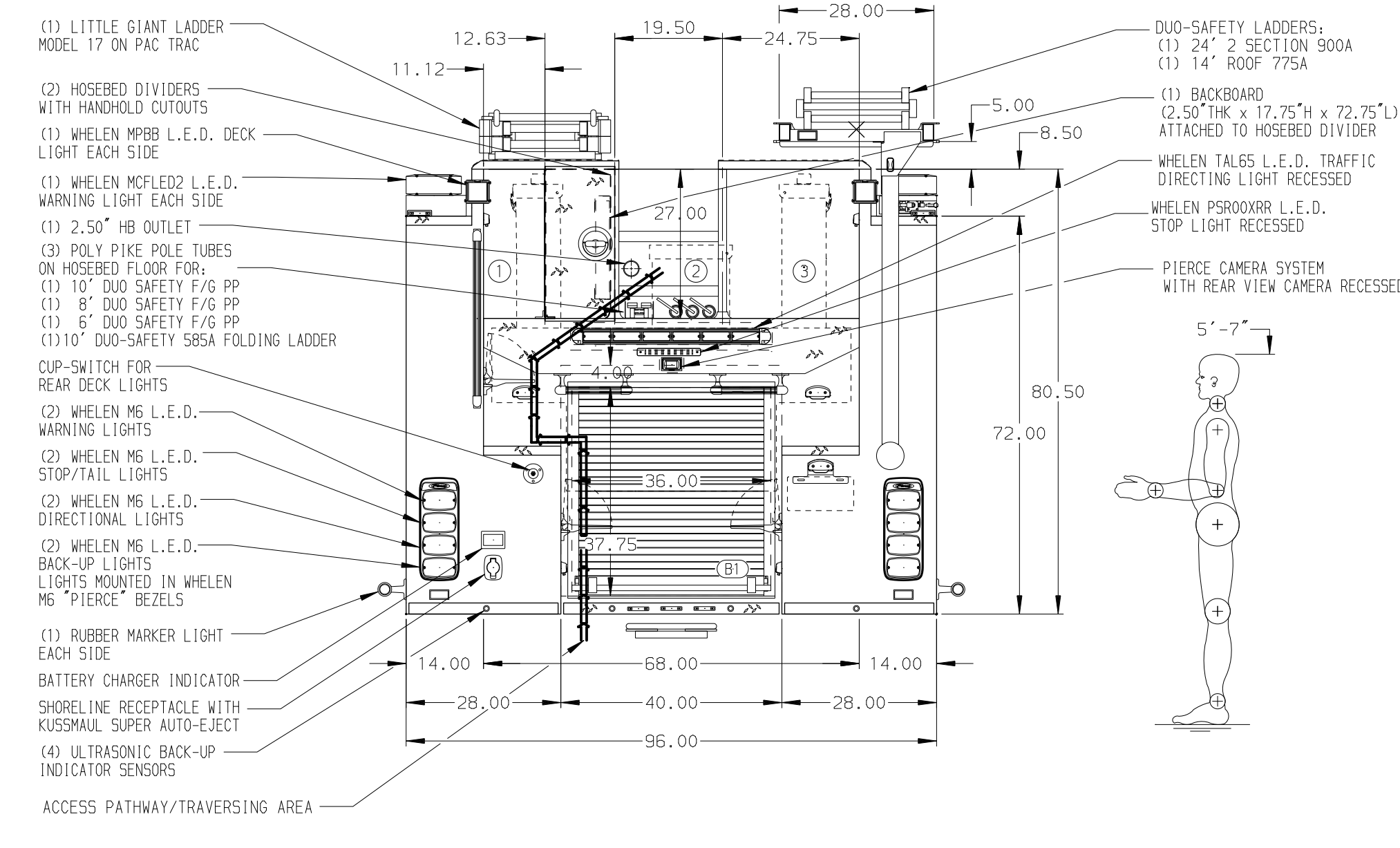
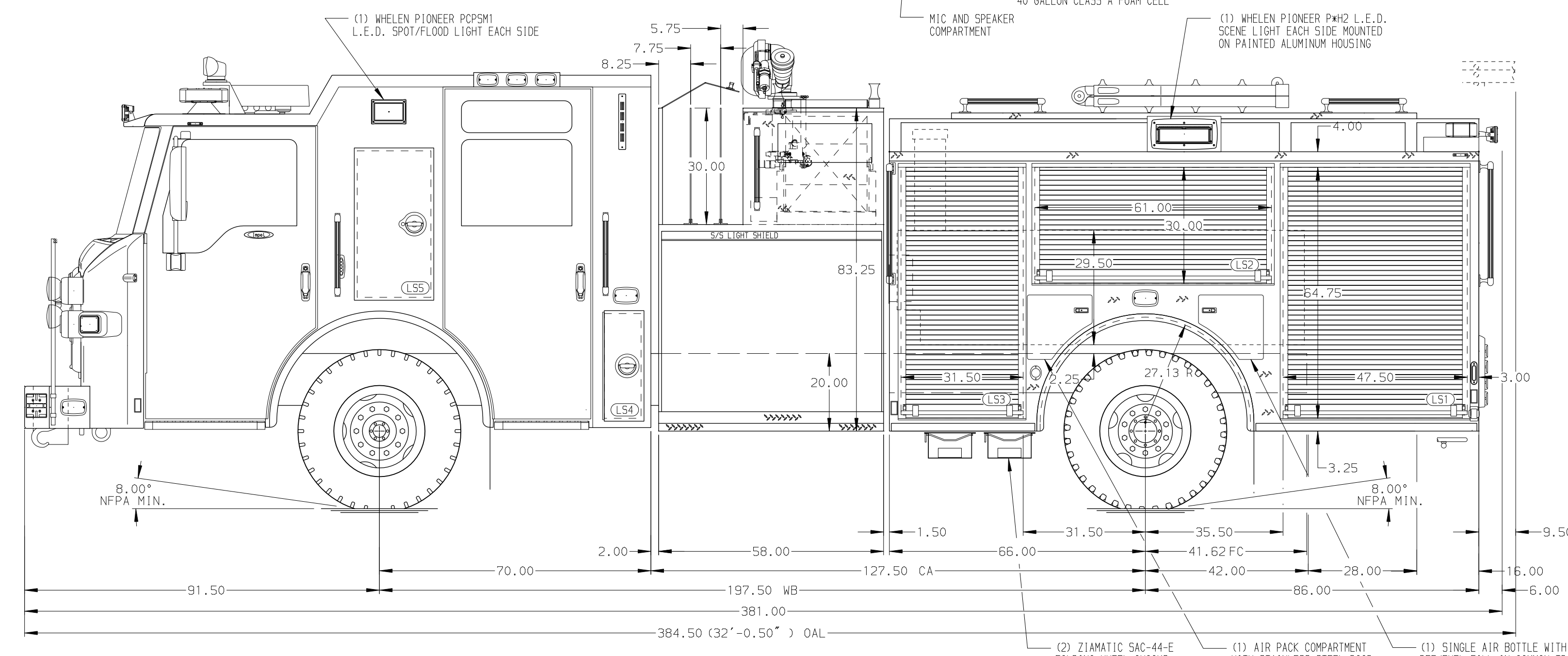


HOSEBED CAPACITIES

①	650' OF 3.00" D.J. POLY HOSE
②	300' OF 2.50" D.J. POLY HOSE
③	1000' OF 5.00" D.J. POLY HOSE



**ALUMINUM BODY**

**NOTE**  
DIMENSIONS SHOWN ARE APPROXIMATE AND ARE SUBJECT TO MINOR DEVIATIONS AS MAY OCCUR OR BE NECESSARY IN CONSTRUCTION. MINOR DETAILS NOT SHOWN.

- AIR INLET WITH DISCONNECT COUPLING LOCATED IN DRIVER'S SIDE STEP WELL
- AIR OUTLET WITH SHUT OFF VALVE LOCATED IN DRIVER'S SIDE STEP WELL
- BATTERY CHARGER LOCATED BEHIND DRIVER'S SEAT ON EMS COMPARTMENT WALL
- DRIP PAN GUARD FOR ROLL-UP DOOR LOCATED L51, L52, L53, R51, R52, R53, & B1
- ONE FULL WIDTH/DEPTH ADJUSTABLE SHELF IN COMPARTMENT L52; TWO IN L51 AND L53; THREE IN R53
- ONE FLOOR MOUNTED SLIDE-OUT TRAY IN COMPARTMENT L51, R51 & B1
- ONE ALUMINUM SWING-OUT TOOLBOARDS WITH PAC TRAC IN COMPARTMENTS R51 AND R52
- ALL BODY COMPARTMENTS WITH COVERS SHALL HAVE A REMOVABLE FILTER
- ONE CTECH DRAWER ASSEMBLY IN COMPARTMENT R53
- TWO VERTICAL DIVIDERS IN COMPARTMENT L53
- PAC TRAC ON THE REAR WALL OF COMPARTMENT L52, L53, R51, AND R52
- ONE VERTICAL PARTITION IN COMPARTMENT L52

REV	DATE	BY	CH	IMPEL
22JUL20	KLE	SMA	CHASSIS DATA	
23JUN20	KLE	SMA	MAKE	
15APR20	JAJ	SMA	PIERCE	
01APR20	KLE	SMA	MODEL	
11MAR20	KLE	SMA		

		JOB NO.	34673
		SCALE	1:24
<b>TITLE</b> 1500-D-500P W/(2)40 GAL FOAM CELLS, 152" FDLER (3)XLAYS, DELUGE, (2)BOOSTER REELS, HYD. LADDER RACK.		DATE	
		DRAWN BY	KLE
<b>FOR</b> TULSA FIRE DEPARTMENT TULSA, OKLAHOMA		CHECKED BY	SMA
		DATE	29JAN20
<b>DWG NO.</b> 34673AD		SHEET SIZE	D
		SHEET NO.	1 OF 1