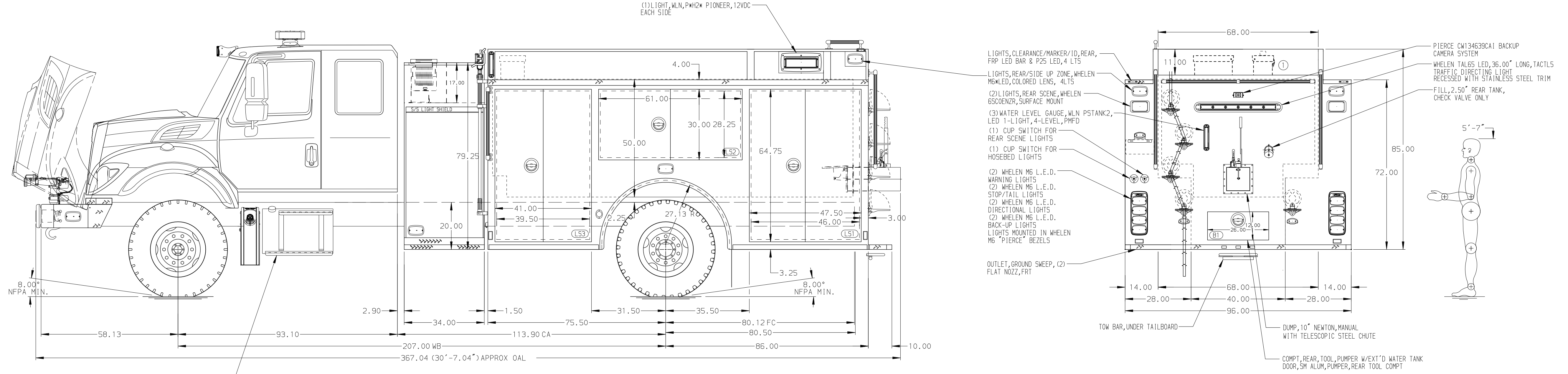


HOSEBED CAPACITIES
 (1) 200' OF 2.50" HOSE



ALUMINUM BODY

NOTE
 DIMENSIONS SHOWN ARE APPROXIMATE AND ARE SUBJECT TO MINOR DEVIATIONS AS MAY OCCUR OR BE NECESSARY IN CONSTRUCTION. MINOR DETAILS NOT SHOWN.

STEPS AS PROVIDED BY MFG.
 FUEL TANK, 50 GALLON, LEFT SIDE, ALUM DEF TANK, LEFT SIDE

REV	DATE	BY	CH	HV	4X2
03AUG20	CRH	AJA	DATA		
16JUN20	CRH	AJA	MAKE		
17APR20	RWI	JLA	IHC		
02APR20	CRH	RWI	MODEL		

		JOB NO.	34641
		SCALE	DATE
TITLE	750-D-1580P, 20G FOAM, 161" BODY, FULL HGT FRNT&REAR, FDLER, 45" SIDE CNTRL, NEWTON REAR DUMP, REEL IN CARGO	DRAWN BY	CRH
FOR	PALM SPRINGS FIRE DEPARTMENT PALM SPRINGS, CALIFORNIA	CHECKED BY	RWI
DWG NO.	34641AD	SHEET SIZE	SHEET NO.
		D	1 OF 1