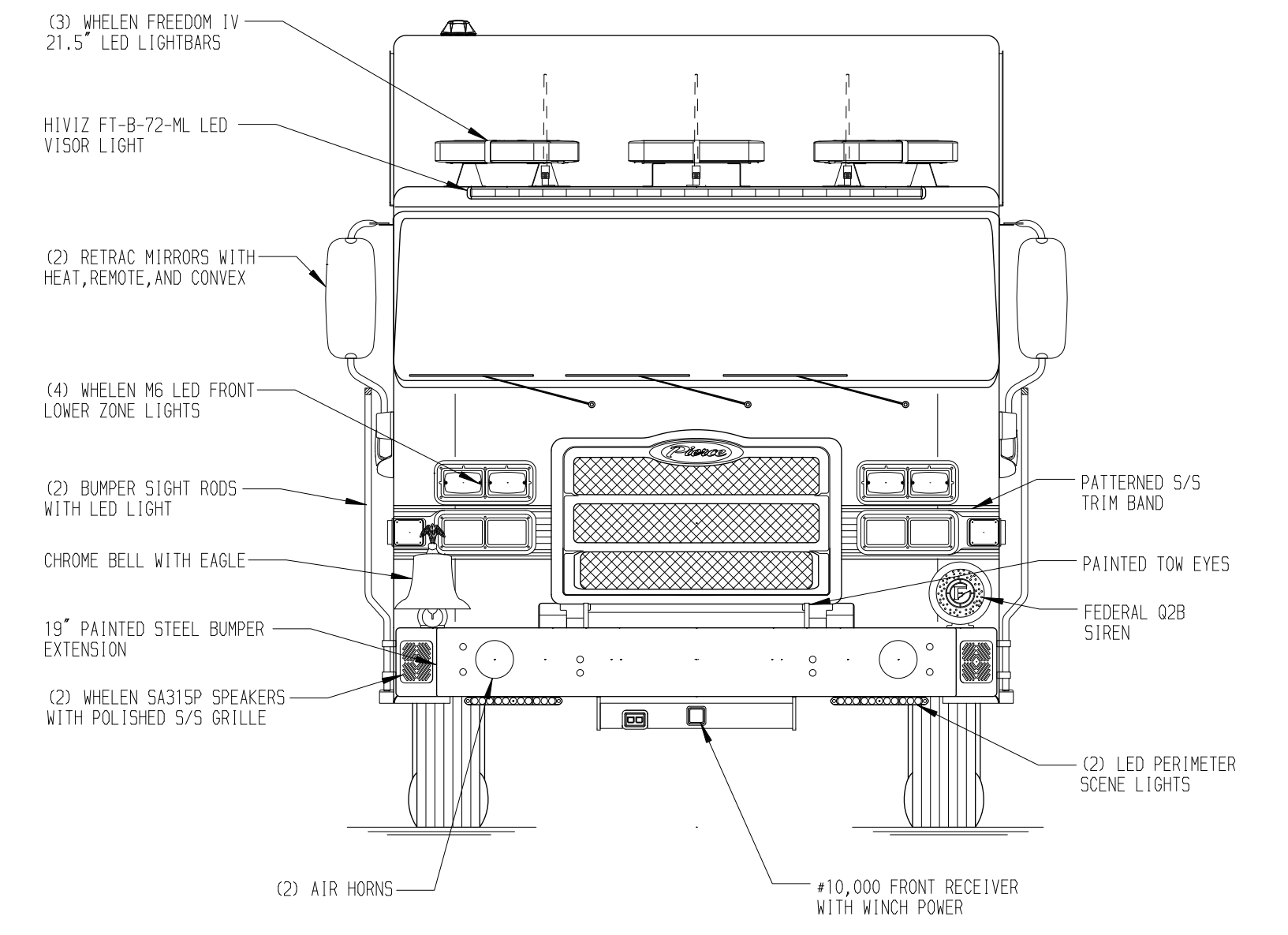
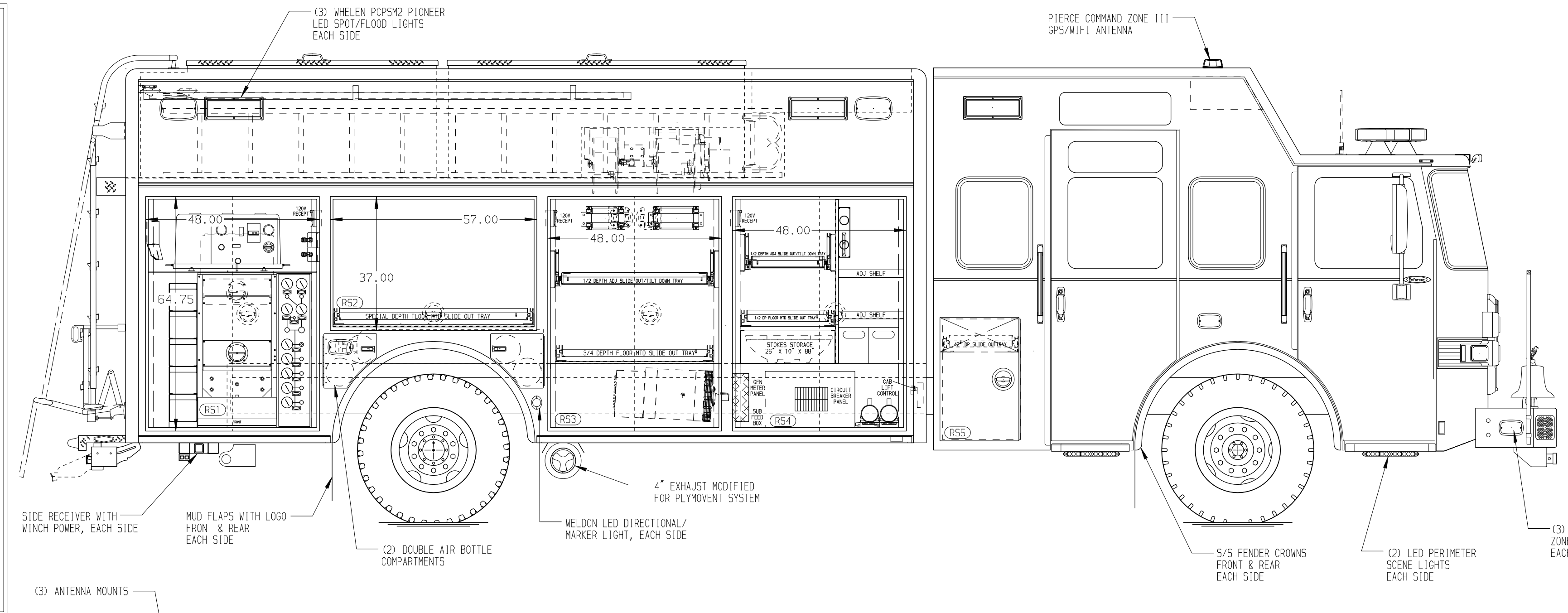
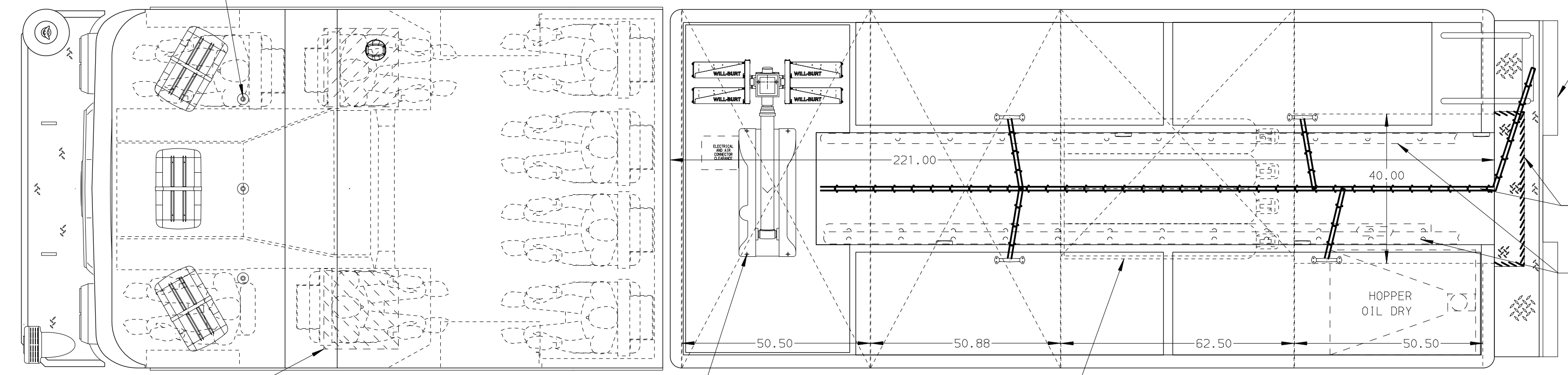


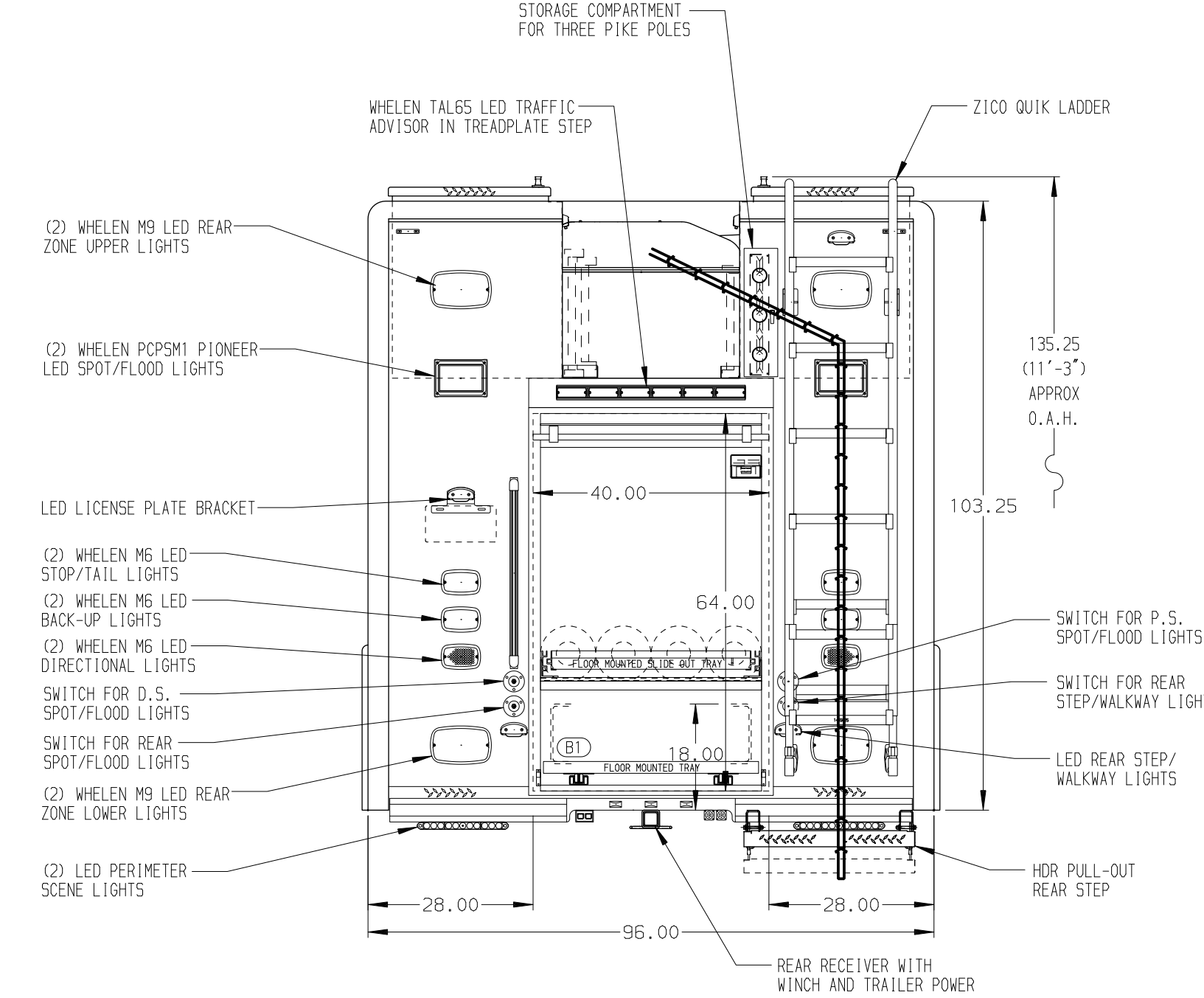
- RIGHT SIDE COMPARTMENTS CONTAIN THE FOLLOWING:**
- COMPARTMENT RS1 CONTAINS:**
- (1) STD DEPTH FLAT TOP SHELF
 - (1) RACK FOR 5 SOBA BOTTLES
 - (1) 15A, 120V DUPLEX RECEPTACLE
 - (1) LIGHT TOWER CONTROLLER
 - (1) CASCADE SYSTEM CONTROL PANEL
 - (1) SPACE SAVER 4-BOTTLE FILL ENCLOSURE
 - (1) SIERRA BREATHING AIR BOOSTER PUMP
 - (2) LOW PRESSURE BREATHING AIR OUTLETS
- COMPARTMENT RS2 CONTAINS:**
- (1) SPECIAL DEPTH FLOOR MOUNTED TRAY
- COMPARTMENT RS3 CONTAINS:**
- (1) HORIZONTAL FLOOR EXTENSION
 - (1) 1/2 DEPTH ADJ SLIDE OUT/TILT TRAY
 - (1) 3/4 DEPTH FLOOR MTD SLIDE OUT TRAY
 - (1) ELECTRIC CORD REEL WITH 200' OF 10/4 YELLOW CORD
 - (1) 15A, 120V DUPLEX RECEPTACLE
 - (2) ROLLER GUIDES ON COMPARTMENT DOORS
 - (1) TOOL AIR REEL W/150' OF HOSE
- COMPARTMENT RS4 CONTAINS:**
- (1) CAB LIFT CONTROLLER
 - (1) STOKES BASKET RACK W/REINFORCED TOP
 - (1) HORIZONTAL FLOOR EXTENSION
 - (1) VERTICAL COMPARTMENT DIVIDER
 - (2) STD DEPTH ADJ SHELVES
 - (1) HALF DEPTH ADJ SLIDE OUT/TILT TRAY
 - (1) HALF DEPTH FLOOR MOUNTED TRAY
 - (1) RACK FOR 2 PIKE POLES (1 EACH SIDE)
 - (1) 15A, 120V DUPLEX RECEPTACLE
 - (2) ALUMINUM TOOL BOXES
 - (1) CIRCUIT BREAKER PANEL
 - (1) SUB FEED PANEL
 - (1) GENERATOR METER PANEL
 - (1) WIRING FOR TWO HAND LIGHTS
- COMPARTMENT RS5 CONTAINS:**
- (1) 42" DP SLIDE OUT TRAY



- REAR COMPARTMENT CONTAINS THE FOLLOWING:**
- COMPARTMENT B1 CONTAINS:**
- (1) HORIZONTAL FLOOR EXTENSION
 - (1) STD DEPTH FLOOR MOUNTED TRAY
 - (1) 48" DP FLOOR MOUNTED TRAY
 - (1) RACK FOR 10" DUO-SAFETY FOLDING LADDER



- LEFT SIDE COMPARTMENTS CONTAIN THE FOLLOWING:**
- COMPARTMENT LS1 CONTAINS:**
- (1) OIL DRY HOPPER
 - (1) VERTICAL PEGBOARD DIVIDER
 - (1) STD DEPTH ADJ SHELF
 - (1) STD DEPTH ADJ SLIDE OUT TOOLBOARD
 - (1) 15A, 120V DUPLEX RECEPTACLE
 - (2) STD DEPTH ADJ SLIDE OUT/TILT TRAYS
 - (1) RACK FOR FOUR EXTINGUISHERS
 - (1) PEGBOARD ON RIGHT SIDE WALL
- COMPARTMENT LS2 CONTAINS:**
- (1) 26.5" DP ADJ SHELF
 - (1) VERTICAL REAR WALL DIVIDER
- COMPARTMENT LS3 CONTAINS:**
- (1) STD DEPTH ADJ SHELF
 - (1) 1/2 DEPTH ADJ SLIDE OUT TRAY
 - (1) 1/2 DEPTH ADJ SLIDE OUT/TILT TRAY
 - (1) ELECTRIC CORD REEL WITH 200' OF 10/4 YELLOW CORD
 - (1) 15A, 120V DUPLEX RECEPTACLE
 - (2) ROLLER GUIDES ON COMPARTMENT DOORS
 - (1) TOOL AIR REEL W/150' OF HOSE
 - (4) ALUMINUM TOOL BOXES
- COMPARTMENT LS4 CONTAINS:**
- (1) KUSSMAUL PUMP PLUS 1200 CHARGER
 - (1) STOKES BASKET RACK W/REINFORCED TOP
 - (1) HORIZONTAL FLOOR EXTENSION
 - (1) VERTICAL COMPARTMENT DIVIDER
 - (1) 3/4 DEPTH ADJ SLIDE OUT TOOLBOARD
 - (1) RACK FOR 2 PIKE POLES (1 EACH SIDE)
 - (1) 1/2 DEPTH ADJ SLIDE OUT TRAY
 - (1) 1/2 DEPTH ADJ SLIDE OUT/TILT TRAY
 - (2) EQUIPMENT RETAINING LIPS
 - (1) 3" F/S STEP LADDER
 - (1) 15A, 120V DUPLEX RECEPTACLE
- COMPARTMENT LS5 CONTAINS:**
- (1) 42" DP SLIDE OUT TRAY



NOTE
DIMENSIONS SHOWN ARE APPROXIMATE AND ARE SUBJECT TO MINOR DEVIATIONS AS MAY OCCUR OR BE NECESSARY IN CONSTRUCTION. MINOR DETAILS NOT SHOWN.

- NOTES:**
- ONAN 25KW SINGLE PHASE PTO DRIVEN GENERATOR WITH SPLASH GUARD LOCATED BETWEEN THE FRAME RAILS
 - AIR INLET WITH DISCONNECT COUPLING LOCATED IN DRIVER'S SIDE LOWER STEP WELL OF CAB
 - WARN ZEON #10,000 PORTABLE WINCH
 - ALUMINUM TREADPLATE ON REAR OF ENGINE TUNNEL
 - POLISHED S/S SCUFFPLATES ON CAB DOOR JAMBS
 - FLOOR IN CAB AND CREW CAB TO BE ALUMINUM TREADPLATE
 - BATTERY CHARGE INDICATOR LOCATED ON DRIVER'S SEAT RISER
 - S/S GUARD OVER REAR COMPARTMENT ROLL-UP DOOR
 - PIECE LED LIGHTS IN ALL BODY AND HATCH COMPARTMENTS
 - TURTLE TILE ON ALL COMPARTMENT SHELVES AND TRAYS
 - (5) STREAMLIGHT FIRE VULCAN HANDLIGHTS IN CAB AND CREW CAB
 - (1) STREAMLIGHT FIRE VULCAN HANDLIGHT SHIPPED LOOSE
 - (1) 3000# PINKABLE ROPE ANCHOR SHIPPED LOOSE
 - (1) 20A, 120V DUPLEX RECEPTACLE LOCATED BY DRIVER'S SIDE MOUNTING PLATE IN CAB

NOTE:
LAP DOORS HAVE BEEN SHOWN IN HIDDEN LINES TO CLEARLY IDENTIFY THE EQUIPMENT IN EACH COMPARTMENT. DASHED LINES ON SIDES ARE DOORS IN OPEN POSITION

REV	DATE	BY	CH	CHASSIS DATA
28AUG20	DHE	CDK	MAKE	
24JUL20	DHE	AZU	PIERCE	
26MAR20	DHE	CDK	MODEL	
			EN8424	

		JOB NO.	34638
		SCALE	DATE
TITLE	HEAVY DUTY RESCUE NON-WALK-IN	DRAWN BY	DHE 17MAR20
FOR	BOROUGH OF CLOSTER CLOSTER, NJ	CHECKED BY	CDK 23MAR20
DWG NO.	34638AD	SHEET SIZE	SHEET NO.
		D	1 OF 1