

PUMPER BODY
Long Aluminum 2nd Gen Pumper

CHASSIS
Impel Chassis

116.00 (9'-8") APPROX O.A.H.

CHASSIS AXLE, FRONT, CUSTOM
22,800 lb TAK-4 Axle

AXLE, REAR
27,000 lb Meritor Axle

ENGINE
370 HP Cummins L9 Engine

TRANSMISSION
Allison 5th Gen, 3000 EVS P

BUMPER
16" Extended Polished Stainless Steel

CAB
7010 Impel FR Cab

BODY WATER TANK
1000 Gallon Poly Water Tank

COMPT, PUMPER, REAR
51.25" FF RollUp, 41.88" Deep Flush Rear Compt

COMPT, PUMPER, LEFT SIDE
161" RollUp Full Height Front & Rear FDLER

COMPT, PUMPER, RIGHT SIDE
161" RollUp Full Height Front & Rear FDLER

FIRE SUPPRESSION PUMPHOUSE
48" Control Zone Top Mount

PUMP
1500 GPM Waterous CSU

CROSSLAYS, 1.50"
(1) 1.50" Crosslay, Special Capacity

CROSSLAYS, 2.50"
2.50" Crosslay Not Required

SPEEDLAYS
(2) 1.50" W/Troy Std. Capacity

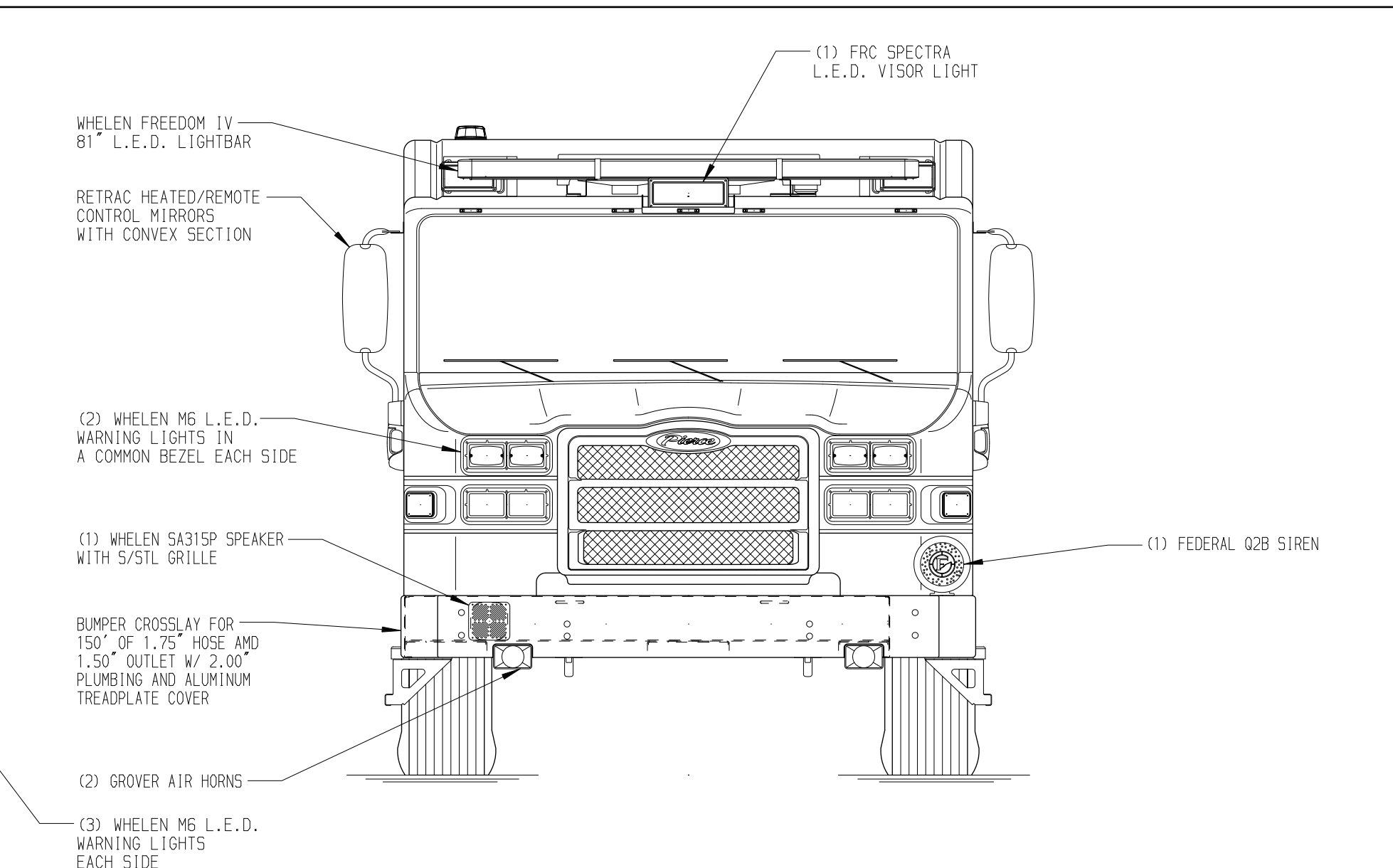
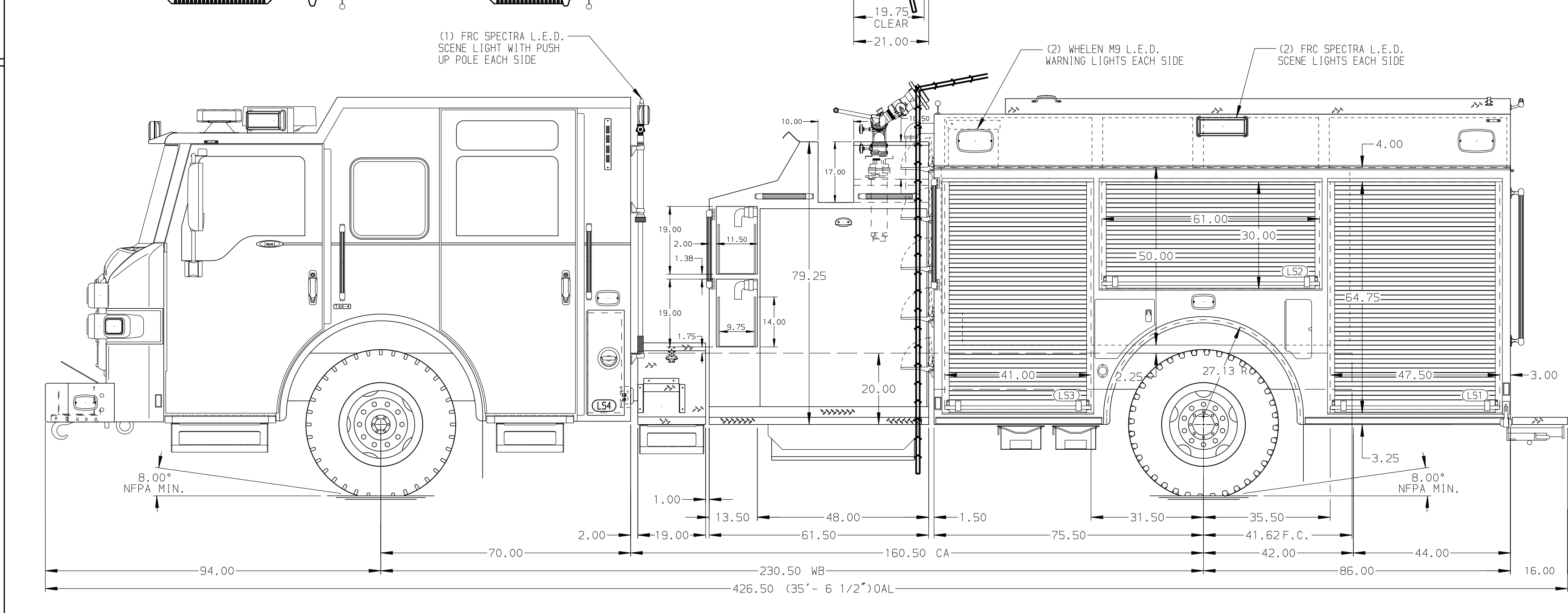
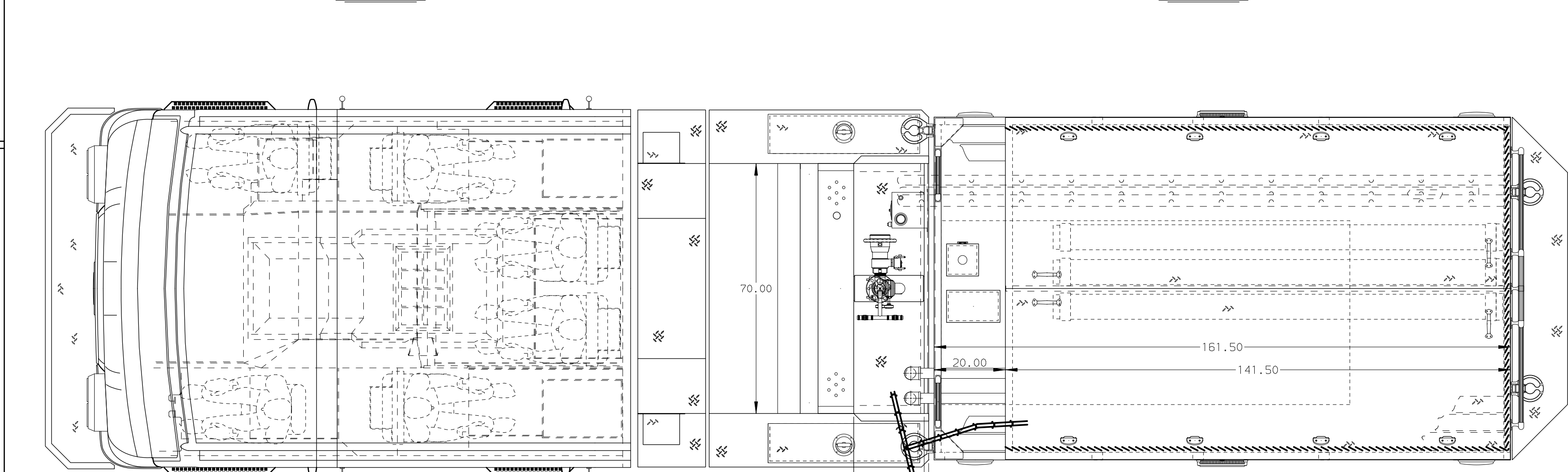
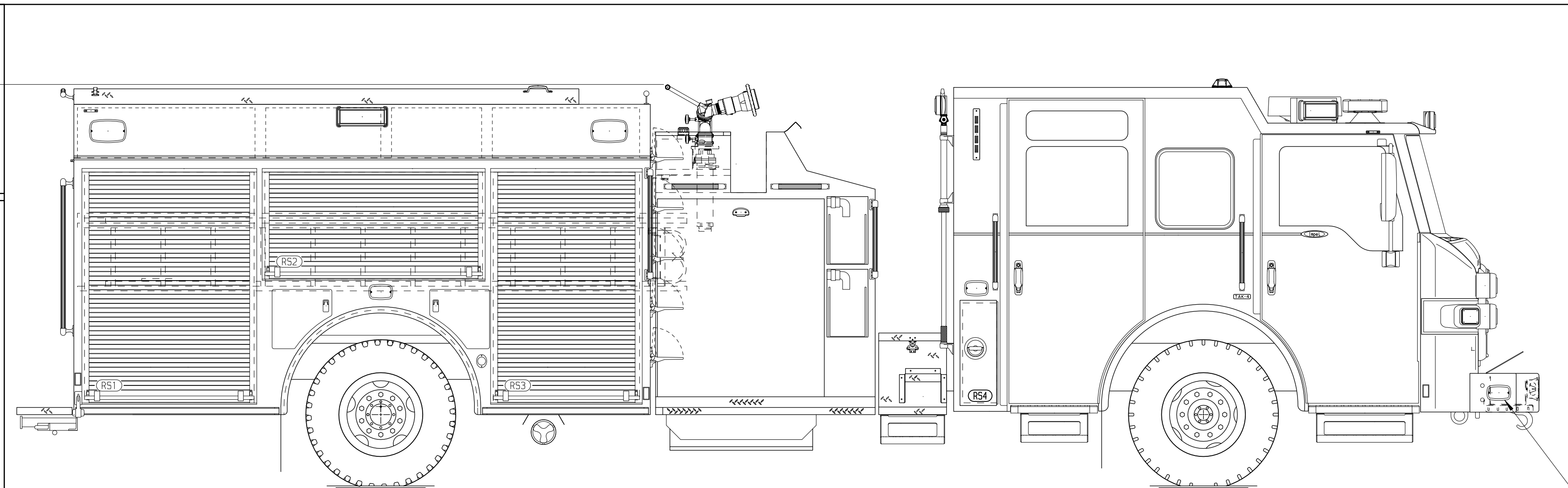
GENERATOR
Generator Not Required

Foam System
Husky 12 Single Agent Foam System

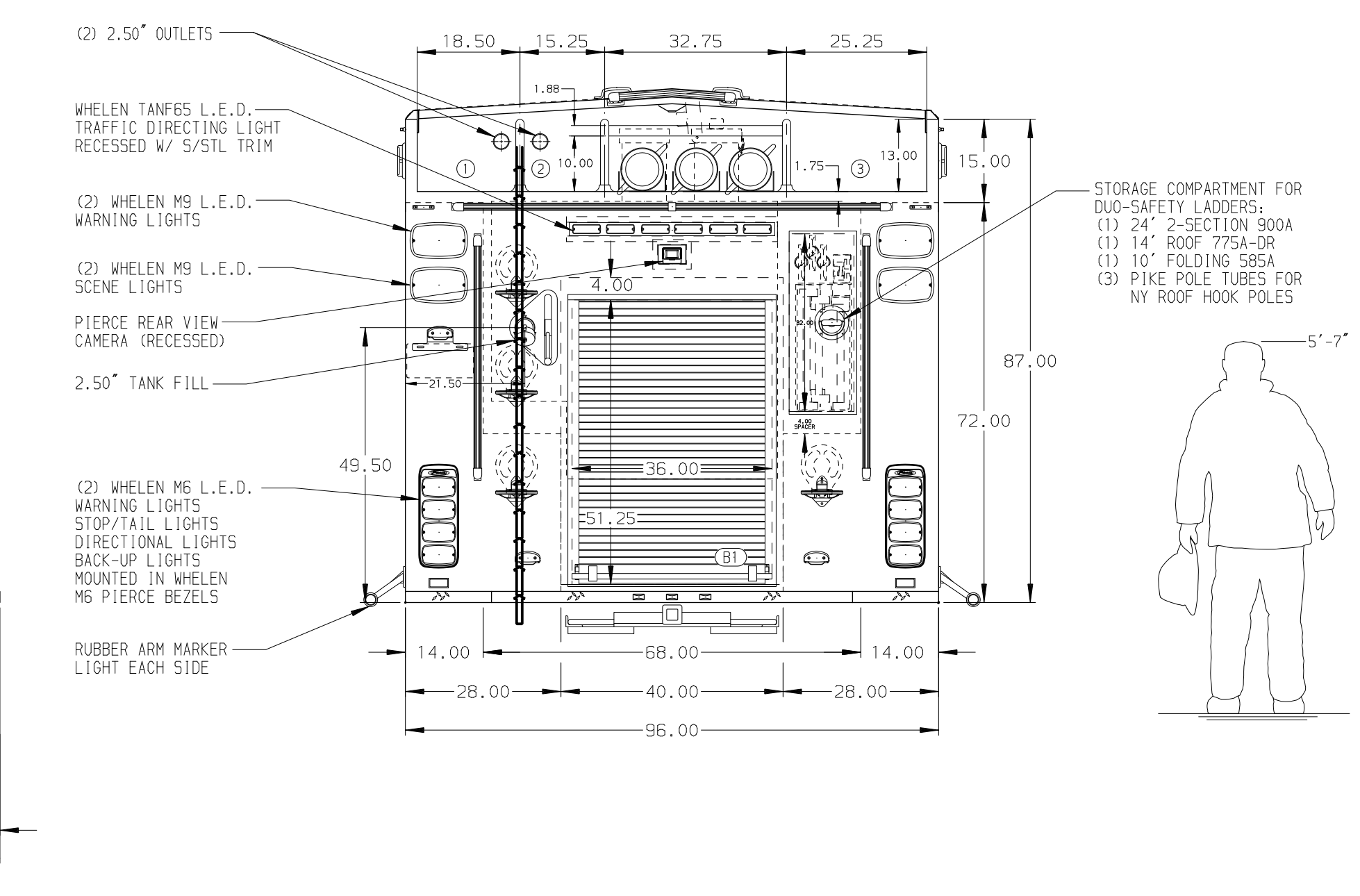
Foam Cell
30 Gallon Foam Cell, Not Reduced Water

Side Roll and Frontal Impact Protection

NOTE
DIMENSIONS SHOWN ARE APPROXIMATE AND ARE SUBJECT TO MINOR DEVIATIONS AS MAY OCCUR OR BE NECESSARY IN CONSTRUCTION. MINOR DETAILS NOT SHOWN.



HOSEBED CAPACITY	
BED 1	500' OF 2.50" D.J. POLY HOSE
BED 2	500' OF 2.50" D.J. POLY HOSE
BED 3	550' OF 5.00" D.J. POLY HOSE



MAXIMUM O.A.H. 116.00"

1. AUTOMATIC TIRE CHAINS
2. SHORELINE RECEPTACLE WITH KUSSMALL SUPER AUTO-EJECT LOCATED ON DRIVER SIDE REAR WALL OF CAB
3. BATTERY CHARGER LOCATED IN CREW CAB SEAT RISER
4. BATTERY CHARGE INDICATOR LOCATED NEAR DRIVER SEAT RISER WITH BRACKET
5. EIGHT ADJUSTABLE SHELVES LOCATED PER SHOP ORDER
6. ONE FLOOR MOUNTED SLIDE-OUT TRAY LOCATED PER SHOP ORDER
7. ONE ADJUSTABLE SLIDE-OUT TRAY LOCATED PER SHOP ORDER
8. FOUR Z100 SCBA BRACKETS LOCATED PER SHOP ORDER
9. PAC TRAC LOCATED PER SHOP ORDER
10. PARTITIONS BETWEEN COMPARTMENTS L51/B1 & R51/BA
11. ONE VERTICAL PARTITION LOCATED PER SHOP ORDER
12. THREE EXTINGUISHER STORAGE BINS LOCATED PER SHOP ORDER
13. NINE 120V DUPLEX RECEPTACLES LOCATED PER SHOP ORDER
14. TWO SWING-OUT TOOLBOARDS WITH PAC TRAC LOCATED PER SHOP ORDER
15. MOUNTING FOR HYDRAULIC RAM, SPREADER, AND CUTTER LOCATED PER SHOP ORDER

				CHASSIS DATA	TITLE	PIERCE PUMPER APPROVAL DRAWING	JOB NO.	34636
				MAKE	FOR	FAIRFAX FIRE DEPARTMENT	SCALE	1:24
				MODEL	DWG NO.	34636AD	DATE	
REV	DATE	BY	CH	IMPEL FR			CHECKED BY	KBO
	03JAN20	COL	AZA				DRAWN BY	COL
							SHEET NO.	1 OF 1