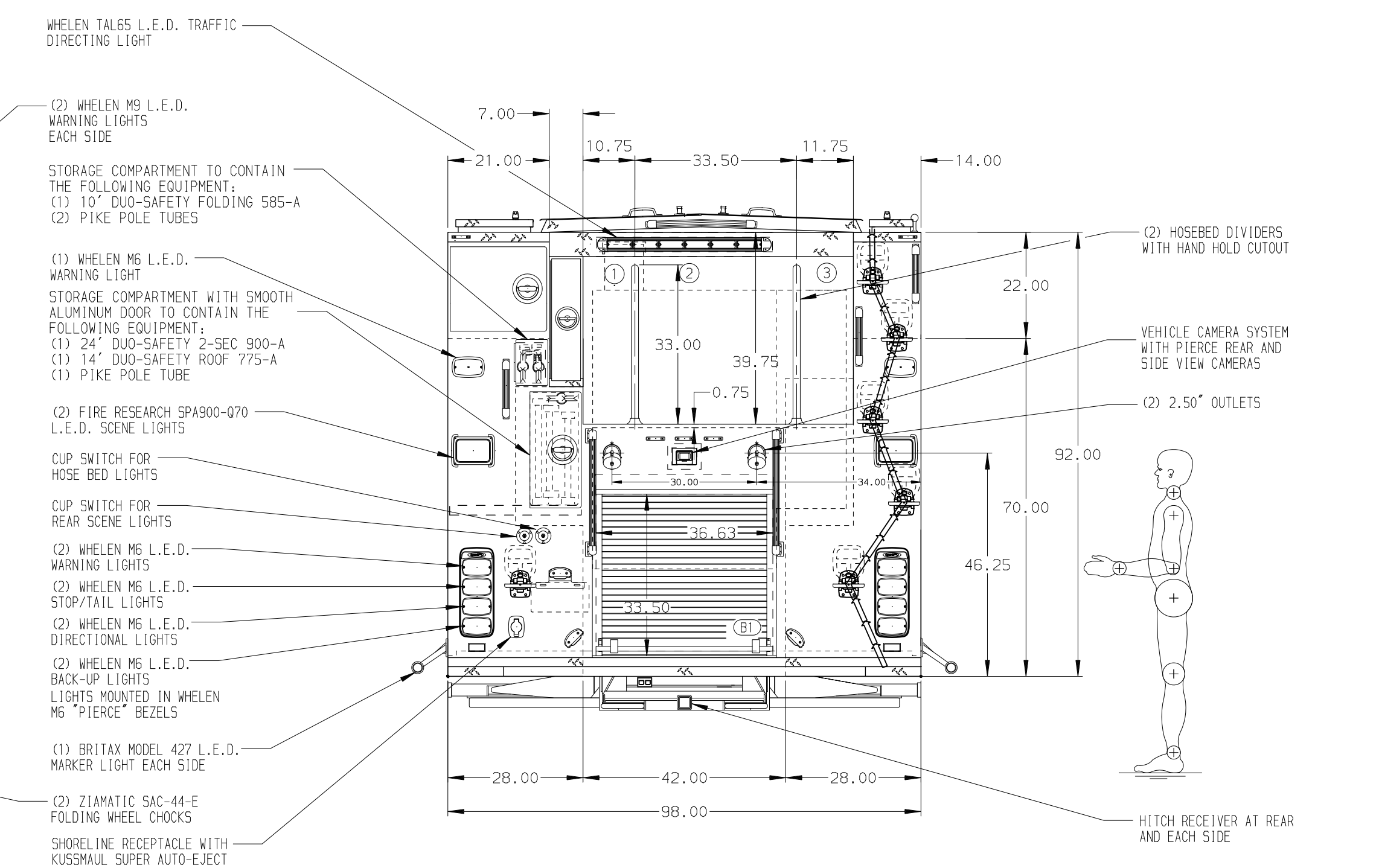
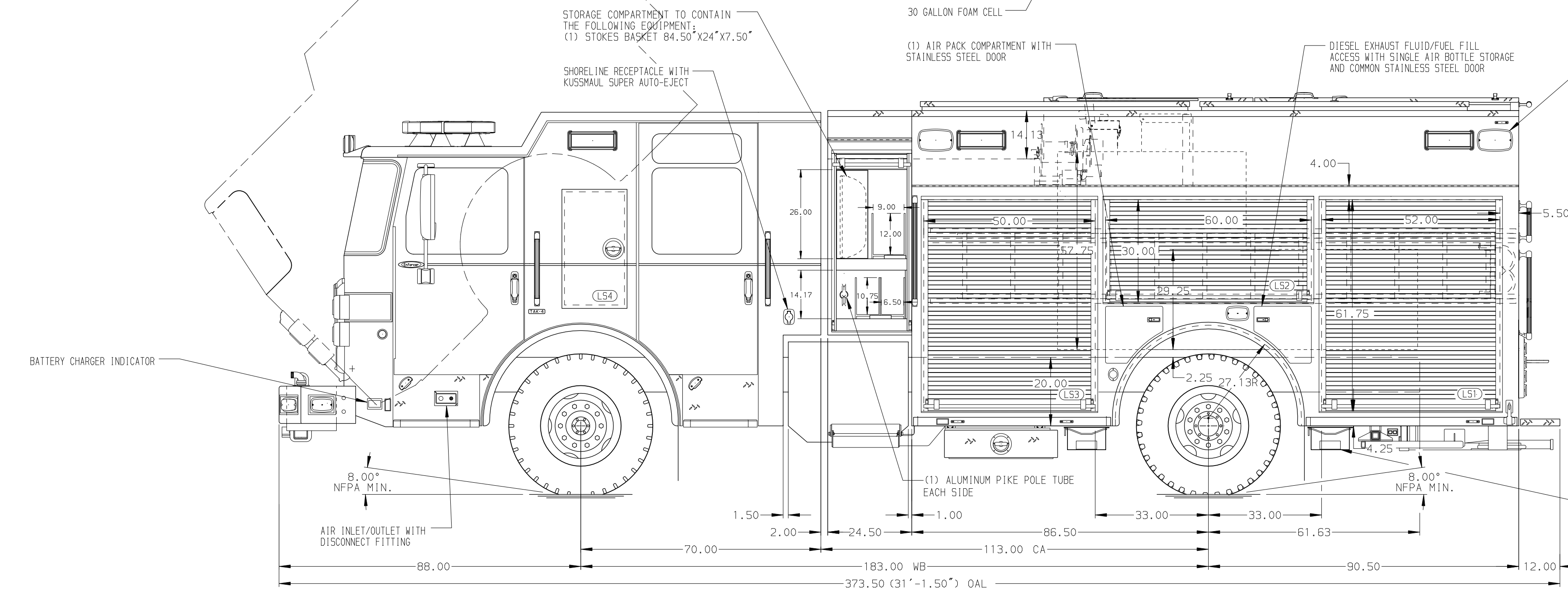


- HOSEBED CAPACITIES**
- ① 300' OF 2.50" HOSE
 - ② 1000' OF 4.00" HOSE
 - ③ 300' OF 3.00" HOSE



ALUMINUM BODY

NOTE
DIMENSIONS SHOWN ARE APPROXIMATE AND ARE SUBJECT TO MINOR DEVIATIONS AS MAY OCCUR OR BE NECESSARY IN CONSTRUCTION. MINOR DETAILS NOT SHOWN.

1. KUSSMAUL BATTERY CHARGER LOCATED BEHIND DRIVER'S SEAT
2. ONE FULL WIDTH/DEPTH ADJUSTABLE SHELF IN COMPARTMENTS RS1,RS2,LS3,B1,THREE IN RS3
3. TWO SLIDE-OUT TOOL BOARDS WITH PEGBOARD PATTERN IN COMPARTMENT RS1
4. THREE POLY TOOL BOXES IN COMPARTMENT B1
5. ONE ADJUSTABLE VERTICAL PARTITION IN COMPARTMENT RS1
6. ONE ADJUSTABLE BOLT-IN PARTITION BETWEEN COMPARTMENTS LS1/R1 AND RS1/R1
7. ALUMINUM PEGBOARD LOCATED ON THE BACK WALL OF COMPARTMENT LS1,LS2,LS3
8. VERTICAL EQUIPMENT MOUNTING TRACKS IN COMPARTMENT LS3
9. CIRCUIT BREAKER PANEL IN COMPARTMENT LS3
10. ONE HANNAY CORD REEL MODEL 1618-17-18 WITH 200' OF 10/3 CABLE LOCATED IN COMPARTMENT LH2

		JOB NO.	34630
		SCALE	DATE
Pierce MANUFACTURING INC.		DRAWN BY	JWO
TITLE 1500-D-780P, 750 GAL OF WATER W/ 30 GAL FOAM CELL 177" PUC PMPR,LDRS. BTWN TANK & S. SHEET,(3) X-LAYS		CHECKED BY	CDU
FOR BOROUGHS OF BELLMAWR BELLMAWR, NEW JERSEY		SHEET SIZE	SHEET NO.
DWG NO. 34630AD		D	1 OF 1

CHASSIS DATA	MAKE	PIERCE	MODEL	ENFORCER
REV	DATE	BY	CH	
02MAR20	JWO	CSH		
07FEB20	JWO	CSH		