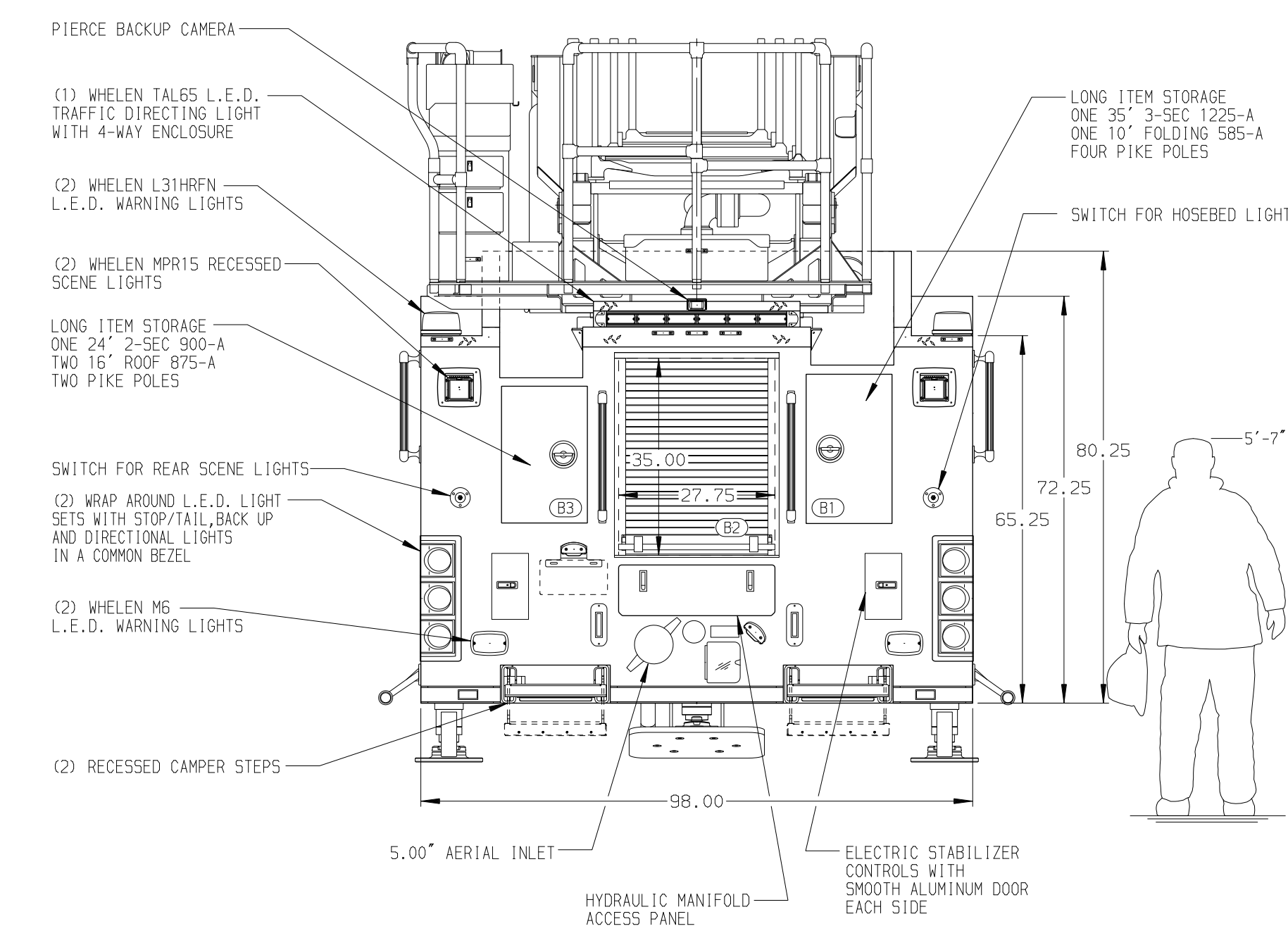
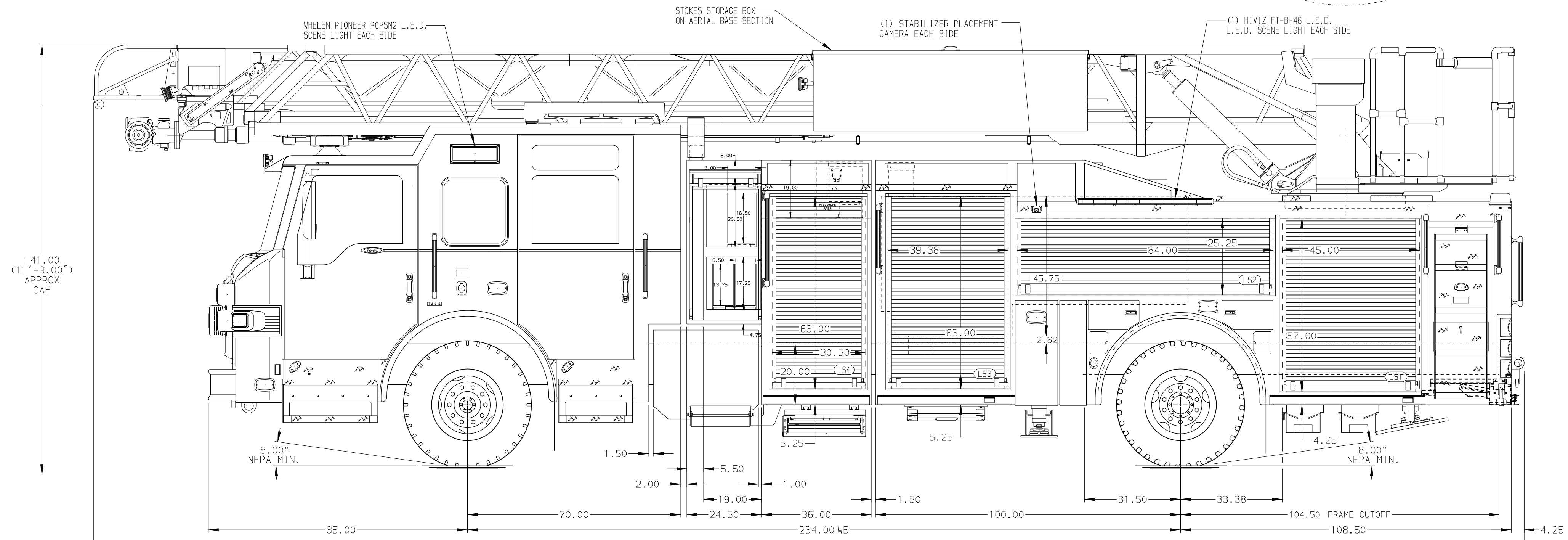


BODY 107' ASL Aluminum Body PUC COMPT, LEFT SIDE FRONT Full Height RollUp Forward COMPT, LEFT SIDE REAR Full Height RollUp Rearward COMPT, RIGHT SIDE FRONT Full Height RollUp Forward COMPT, RIGHT SIDE REAR Full Height RollUp Rearward	WATER TANK 500 Gallon Poly Water Tank Foam System Husky 3 Single Agent Foam System Foam Cell 20 Gallon Foam Cell, Non-Reduced Water
---	---



CHASSIS Velocity Chassis (Big Block) ENGINE 525 HP DD13 Engine	CAB 7010 Velocity Notched Cab, PUC BUMPER Non-Extended Stainless Steel	AXLE, FRONT, CUSTOM 24,000 Lb TAK-4 Axle AXLE, REAR 33,500 Lb Meritor Axle	TRANSMISSION Allison 5th Gen, 4500 EV5 P	PUMPHOUSE Control Zone, PAL/PAP PUC PUMP 1500 GPM Pierce PUC	CROSSLAYS, 1.50" (2) 1.50", Full Width Trays, 200' CROSSLAYS, 2.50" (1) 2.50", Full Width Tray, 200'	SPEEDLAYS Speedlays Not Required GENERATOR Generator Not Required	SAFETY Side Roll and Frontal Impact Protection	CUSTOMER APPROVAL APPROVED BY: _____ DATE: _____		JOB NO. 34595 SCALE 1:24 DATE DRAWN BY TKA 25NOV19 CHECKED BY THS 03DEC19 SHEET SIZE D SHEET NO. 1 OF 1
NOTE DIMENSIONS SHOWN ARE APPROXIMATE AND ARE SUBJECT TO MINOR DEVIATIONS AS MAY OCCUR OR BE NECESSARY IN CONSTRUCTION. MINOR DETAILS NOT SHOWN.										
1. SHORELINE RECEPTACLE WITH KUSSMAUL SUPER AUTO-EJECT LOCATED ON DRIVER SIDE OF THE CAB 2. AIR INLET WITH DISCONNECT COUPLING IN THE DRIVER SIDE STEPPWELL 3. BATTERY CHARGER LOCATED LOCATED BEHIND DRIVER'S SEAT 4. BATTERY CHARGE INDICATOR LOCATED ON DRIVER SIDE OF THE CAB 5. DUAL L.E.D. LIGHT STRIPS LOCATED IN HOSE BED 6. SEVEN ADJUSTABLE SHELVES IN COMPARTMENTS PER SHOP ORDER 7. FIVE FLOOR MOUNTED SLIDE-OUT TRAYS IN COMPARTMENTS PER SHOP ORDER 8. NON-RAISED AERIAL PEDESTAL 9. 1500 GPM HIGH FLOW WATERWAY 10. LIMITED RETRACTION NOT REQUIRED										
REV 13FEB20 DATE BY TKA CH THS	MAKE PIERCE MODEL VELOCITY	TITLE 107' ASCENDANT AERIAL LADDER AND BODY ASSEMBLY FOR PIERCE FIELD UNIT APPLETON, WISCONSIN DWG NO. 34595AD								