

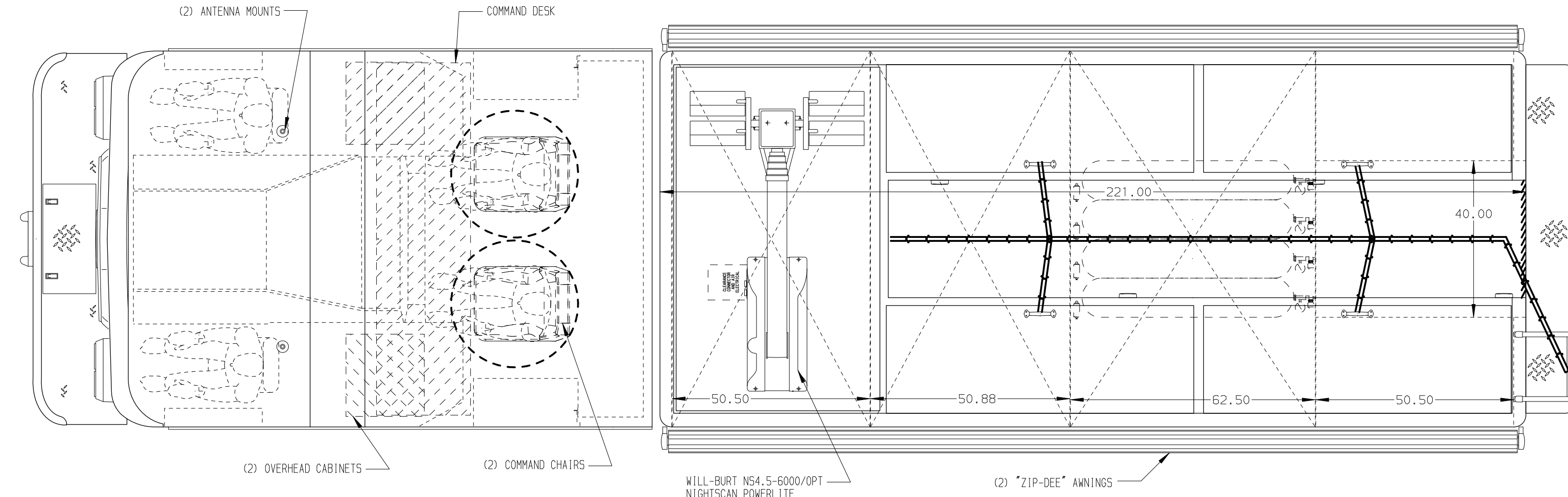
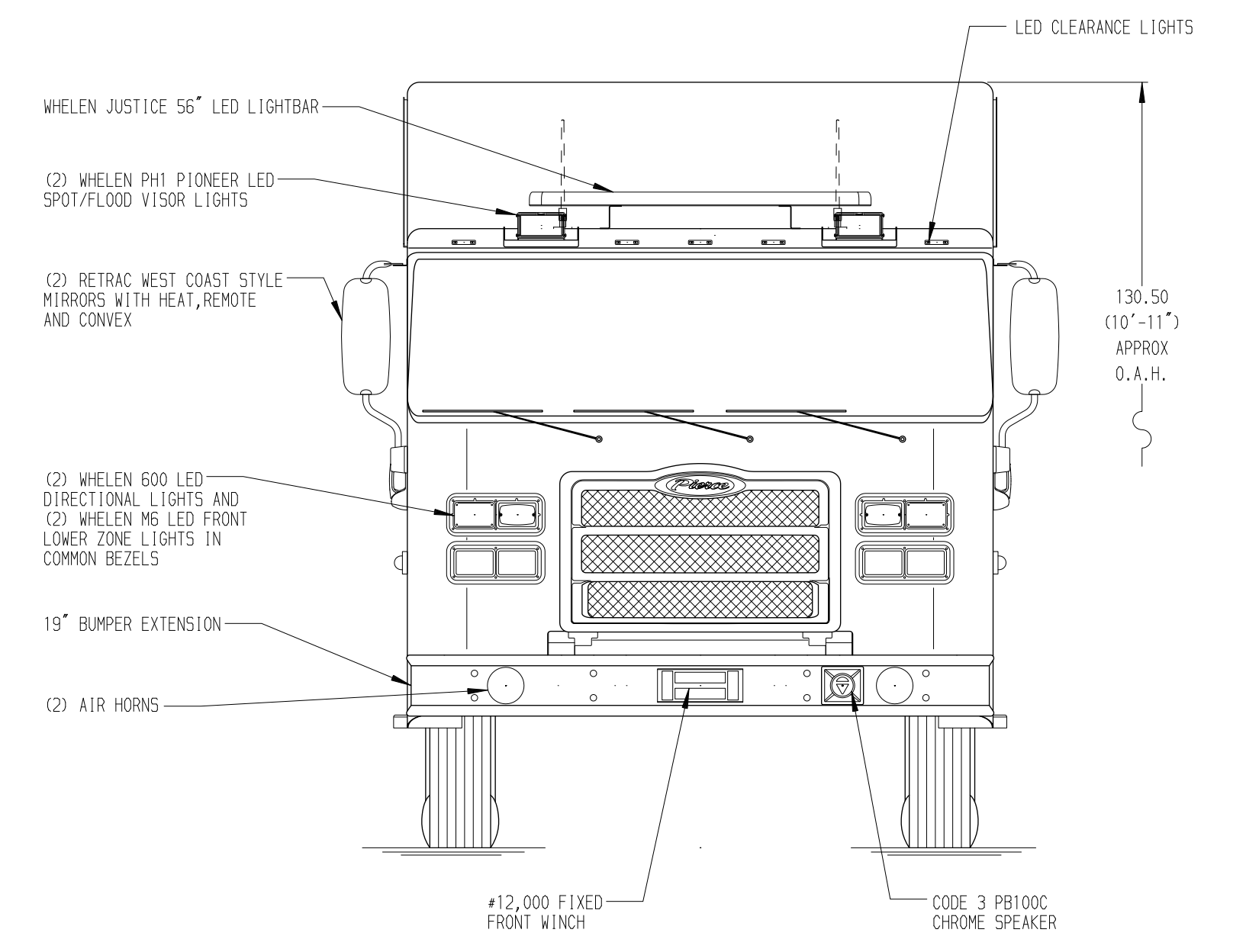
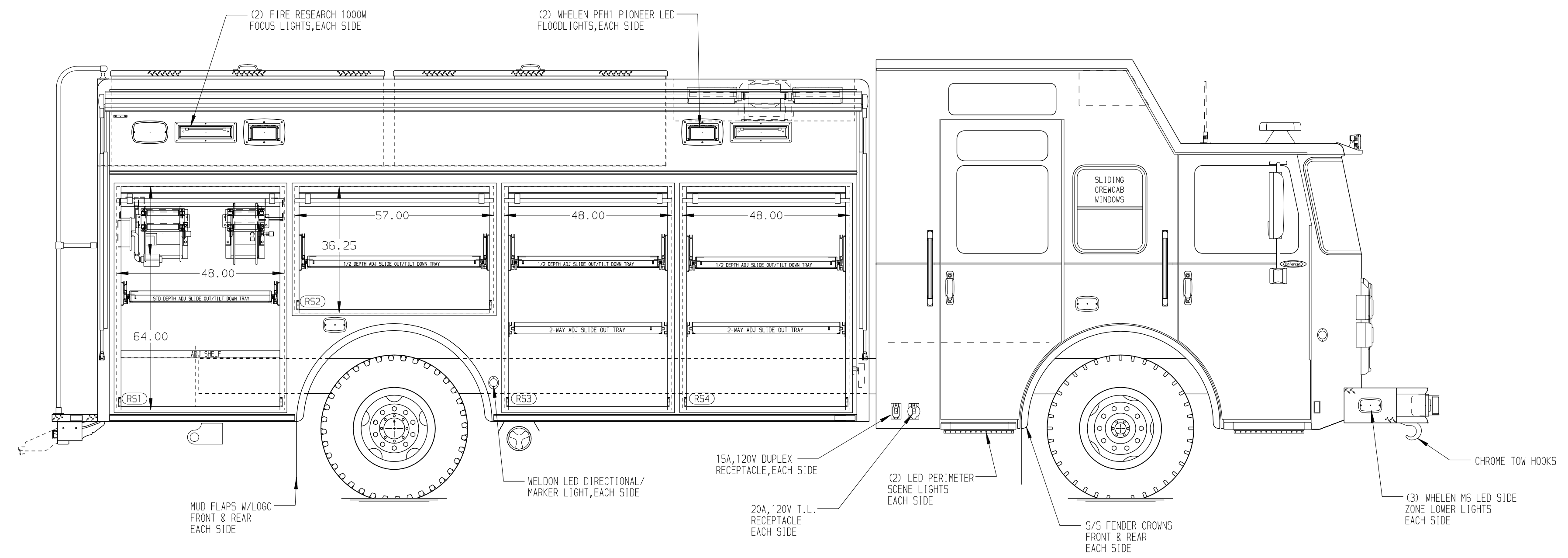
**RIGHT SIDE COMPARTMENTS CONTAIN THE FOLLOWING:**

COMPARTMENT RS1 CONTAINS:  
 - (1) STD DEPTH ADJ SHELF  
 - (1) STD DEPTH ADJ SLIDE OUT/TILT TRAY  
 - (1) ELECTRIC CORD REEL WITH 200' OF 10/3 YELLOW CORD  
 - (1) TOOL AIR REEL WITH 150' OF HOSE

COMPARTMENT RS2 CONTAINS:  
 - (1) 1/2 DEPTH ADJ SLIDE OUT/TILT TRAY

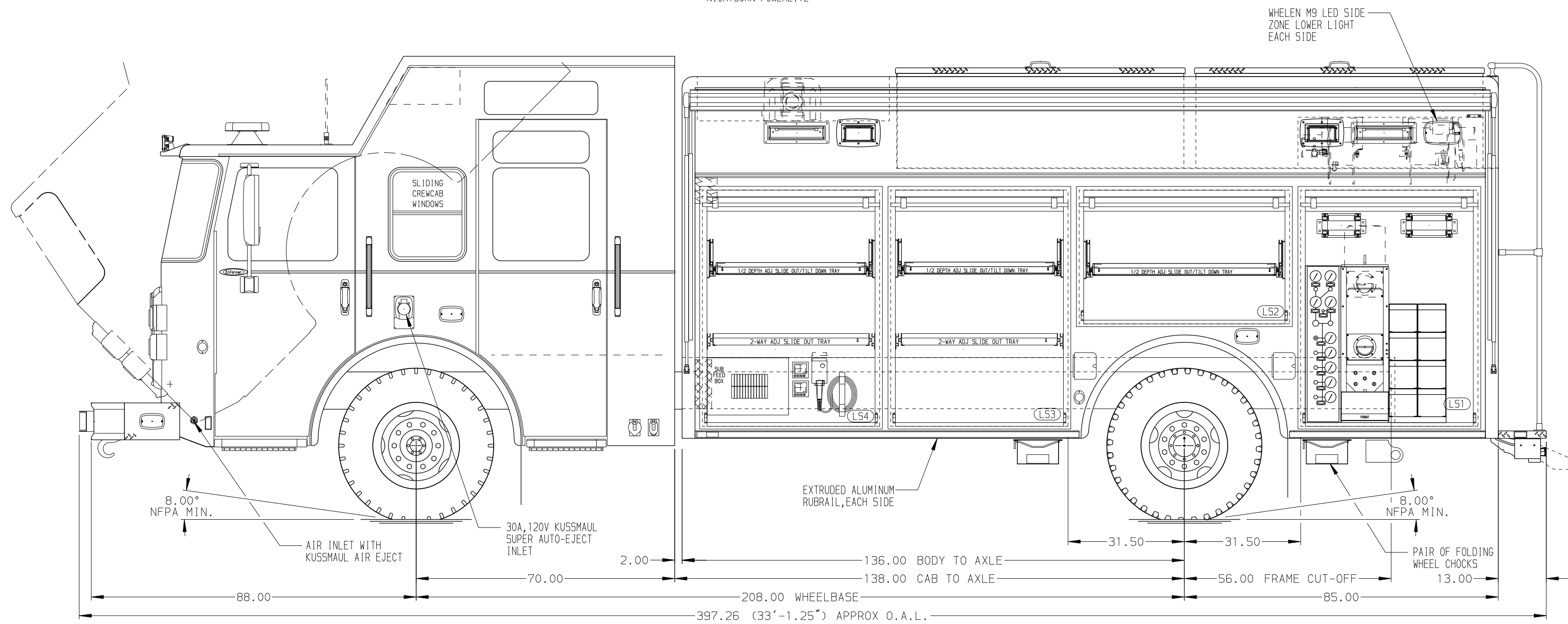
COMPARTMENT RS3 CONTAINS:  
 - (1) 1/2 DEPTH ADJ SLIDE OUT/TILT TRAY  
 - (1) 2-WAY ADJ SLIDE OUT TRAY

COMPARTMENT RS4 CONTAINS:  
 - (1) CAB LIFT CONTROLLER  
 - (1) 1/2 DEPTH ADJ SLIDE OUT/TILT TRAY  
 - (1) 2-WAY ADJ SLIDE OUT TRAY



**REAR COMPARTMENT CONTAINS THE FOLLOWING:**

COMPARTMENT B1 CONTAINS:  
 - (1) 48" DP ADJ SHELF  
 - (4) ASME AIR STORAGE BOTTLES  
 - (1) 48" DP ADJ SLIDE OUT/TILT TRAY



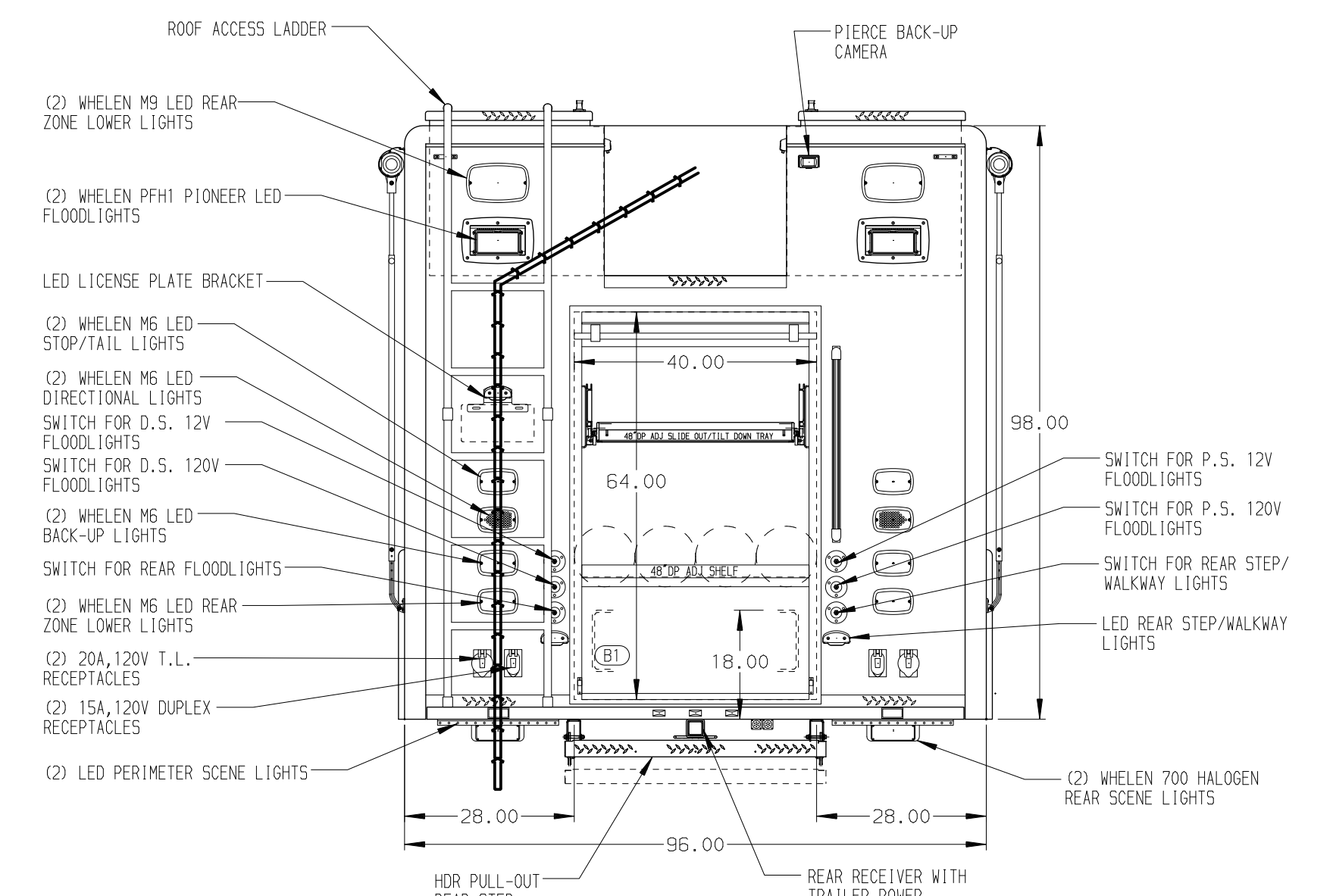
**LEFT SIDE COMPARTMENTS CONTAIN THE FOLLOWING:**

COMPARTMENT LS1 CONTAINS:  
 - (1) CASCADE SYSTEM CONTROL PANEL  
 - (1) "SPACESAVER" 2-BOTTLE FILL ENCLOSURE  
 - (1) ELECTRIC CORD REEL WITH 200' OF 10/3 YELLOW CORD  
 - (1) TOOL AIR REEL WITH 150' OF HOSE

COMPARTMENT LS2 CONTAINS:  
 - (1) 1/2 DEPTH ADJ SLIDE OUT/TILT TRAY

COMPARTMENT LS3 CONTAINS:  
 - (1) 1/2 DEPTH ADJ SLIDE OUT/TILT TRAY  
 - (1) 2-WAY ADJ SLIDE OUT TRAY

COMPARTMENT LS4 CONTAINS:  
 - (1) IOTA 75 AMP BATTERY CHARGER  
 - (1) 1/2 DEPTH ADJ SLIDE OUT/TILT TRAY  
 - (1) 2-WAY ADJ SLIDE OUT TRAY  
 - (1) CIRCUIT BREAKER PANEL  
 - (1) GENERATOR METER PANEL  
 - (1) SUB FEED BOX  
 - (1) NIGHT SCAN CONTROLLER



**NOTE**  
 DIMENSIONS SHOWN ARE APPROXIMATE AND ARE SUBJECT TO MINOR DEVIATIONS AS MAY OCCUR OR BE NECESSARY IN CONSTRUCTION. MINOR DETAILS NOT SHOWN.

**NOTES:**

- ONAN 25kW SINGLE PHASE PTO DRIVEN GENERATOR LOCATED BETWEEN THE FRAME RAILS
- FLOOR IN CAB AND CREW CAB TO BE PADDED RUBBER
- BATTERY CHARGE INDICATOR LOCATED ON DRIVER'S SEAT RISER
- PULL STRAPS ON ALL BODY ROLL-UP DOORS
- 5/5 GUARDS ON ALL BODY ROLL-UP DOORS
- PIERCE LED LIGHTS IN ALL BODY AND HATCH COMPARTMENTS
- DRI-DECK MATTING ON ALL COMPARTMENT FLOORS, SHELVES AND TRAYS

CLEAR DOOR WIDTH KEY		REV	DATE	BY	CH	EN7024
AMOR ROLL UP DOORS:	-2 1/4"	10JUN20	DHE	CDK	CHASSIS DATA	
CORTITE ROLL UP DOORS:	-2 1/2"	09JUN20	DHE	CDK	MAKE	
PIERCE DOUBLE LIP DOORS:	-4 1/4"	18MAY20	DHE	CDK	PIERCE	
PIERCE LIFT-UP LAP DOORS:	-1 1/2"	02APR20	DHE	CDK	MODEL	
(EX: 60" F-F - 2 1/4" = 57 3/4" CLEAR)		27MAR20	DHE	CDK		
(F-F) = FRAME TO FRAME						

		JOB NO.	34581
		SCALE	DATE
TITLE	HEAVY DUTY RESCUE NON-WALKIN	DRAWN BY	DHE
FOR	US AIR FORCE	CHECKED BY	AZU
	BID #798		30JAN20
DWG NO.	34581AD	SHEET SIZE	SHEET NO.
		D	1 OF 1