

PUMPER BODY
Short Aluminum 2nd Gen Pumper

CHASSIS
Arrow XT Chassis

CHASSIS AXLE, FRONT, CUSTOM
22,800 Lb TAK-4 Axle

AXLE, REAR
27,000 Lb Meritor Axle

ENGINE
525 HP DD13 Engine

TRANSMISSION
Allison 5th Gen, 4500 EVS P

BUMPER
10" Extended Steel Painted

CAB
6700 Arrow XT Cab

BODY WATER TANK
750 Gallon Poly Water Tank, NY Style

COMPT, PUMPER, REAR
30.75" FF RollUp Rear Compt

COMPT, PUMPER, DRIVER SIDE
140" RollUp Full Height Front & Rear

COMPT, PUMPER PASS. SIDE
140" RollUp 3/4 Height Front & Rear, (1) Broom

FIRE SUPPRESSION PUMPHOUSE
45" Control Zone Side Mount

PUMP
2000 GPM Waterous CMU

CROSSLAYS, 1.50"
(2) 1.50" Standard Capacity

CROSSLAYS, 2.50"
2.50" Crosslays Not Required

SPEEDLAYS
Speedlays Not Required

GENERATOR
Generator Not Required

Foam System
Husky 12 Single Agent Foam System

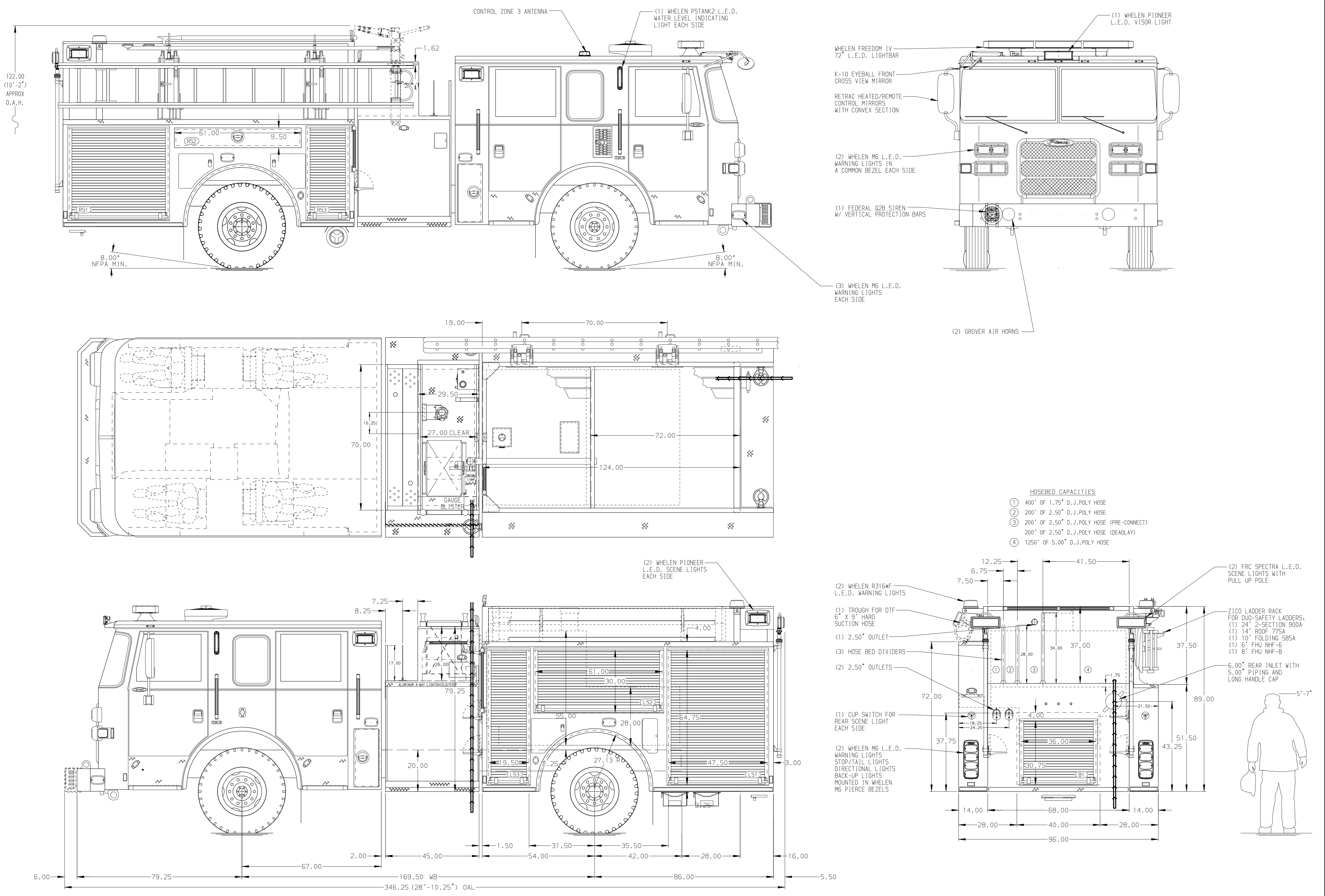
Foam Cell
30 Gallon Foam Cell, Not Reduced Water

Side Roll and Frontal Impact Protection

NOTE
DIMENSIONS SHOWN ARE APPROXIMATE AND ARE SUBJECT TO MINOR DEVIATIONS AS MAY OCCUR OR BE NECESSARY IN CONSTRUCTION.
MINOR DETAILS NOT SHOWN.

- AIR INLET WITH DISCONNECT COUPLING ON DRIVER SIDE STEPWELL
- BATTERY CHARGER LOCATED IN COMPARTMENT D3
- BATTERY CHARGE INDICATOR LOCATED ON D.S. SEAT RISER
- FOUR ADJUSTABLE SHELVES LOCATED PER SHOP ORDER
- TWO FLOOR MOUNTED SLIDE-OUT TRAYS LOCATED PER SHOP ORDER
- ONE SWING-OUT TOOLBOARD LOCATED PER SHOP ORDER
- ONE 120V SHORELINE RECEPTACLE LOCATED PER SHOP ORDER
- FOUR 120V RECEPTACLES LOCATED PER SHOP ORDER
- PROSINE XANTREX INVERTER LOCATED PER SHOP ORDER

- HANNAY BOOSTER REEL MODEL SBE24-28-29 WITH CAPACITY FOR 150' OF 1.00" BOOSTER HOSE LOCATED IN CARGO AREA



		JOB NO.	34541-01-02
		SCALE	1:24
		DATE	
Pierce Pumper Approval Drawing		DRAWN BY	COL
Charleston Fire Department		CHECKED BY	KBO
DWG NO.		SHEET SIZE	D
34541AD		SHEET NO.	1 OF 1

REV	DATE	BY	CH	ARROW XT
24JAN20	COL	KBO		
04DEC19	COL	KBO		