

RIGHT SIDE COMPARTMENTS CONTAIN THE FOLLOWING:

COMPARTMENT R51 CONTAINS:

- (1) VERTICAL PEGBOARD DIVIDER
- (1) HORIZONTAL FLOOR EXTENSION
- (1) STD DEPTH FLOOR MTD TRAY W/SIDE SLIDES
- (1) 3/4 DEPTH SLIDEMASTER TRAY W/TOOLBOARD
- TOOLBOARD MOUNTED TO REAR WALL, FORWARD FACING SIDE WALL AND REAR FACING SIDE OF VERTICAL DIVIDER

COMPARTMENT R52 CONTAINS:

- (1) VERTICAL REAR WALL DIVIDER
- PITCHED COMPARTMENT FLOOR
- CARGO RETENTION NETTING
- (1) PLYWOOD STORAGE TROUGH
- (1) REINFORCED HORIZONTAL DIVIDER

COMPARTMENT R53 CONTAINS:

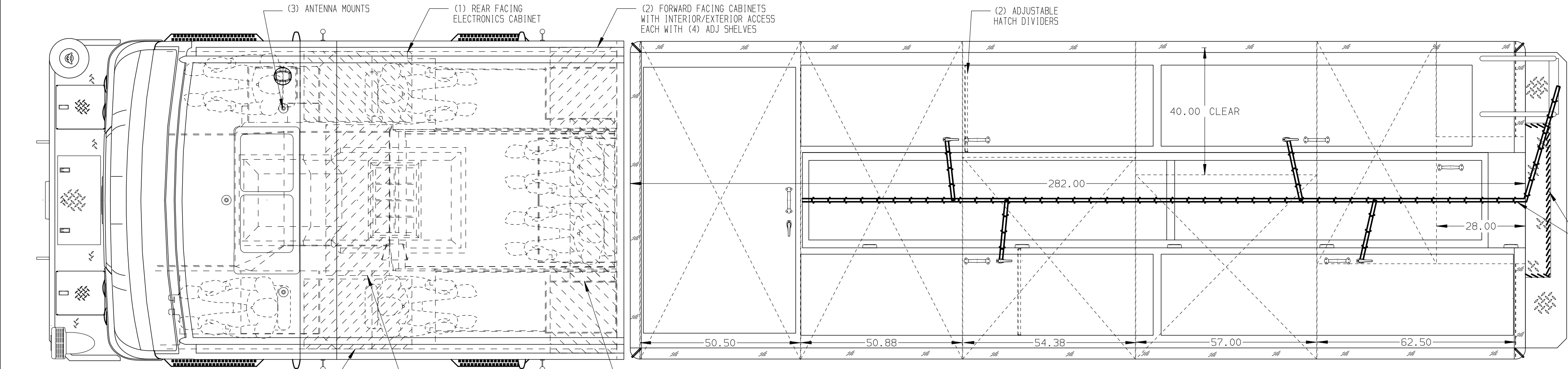
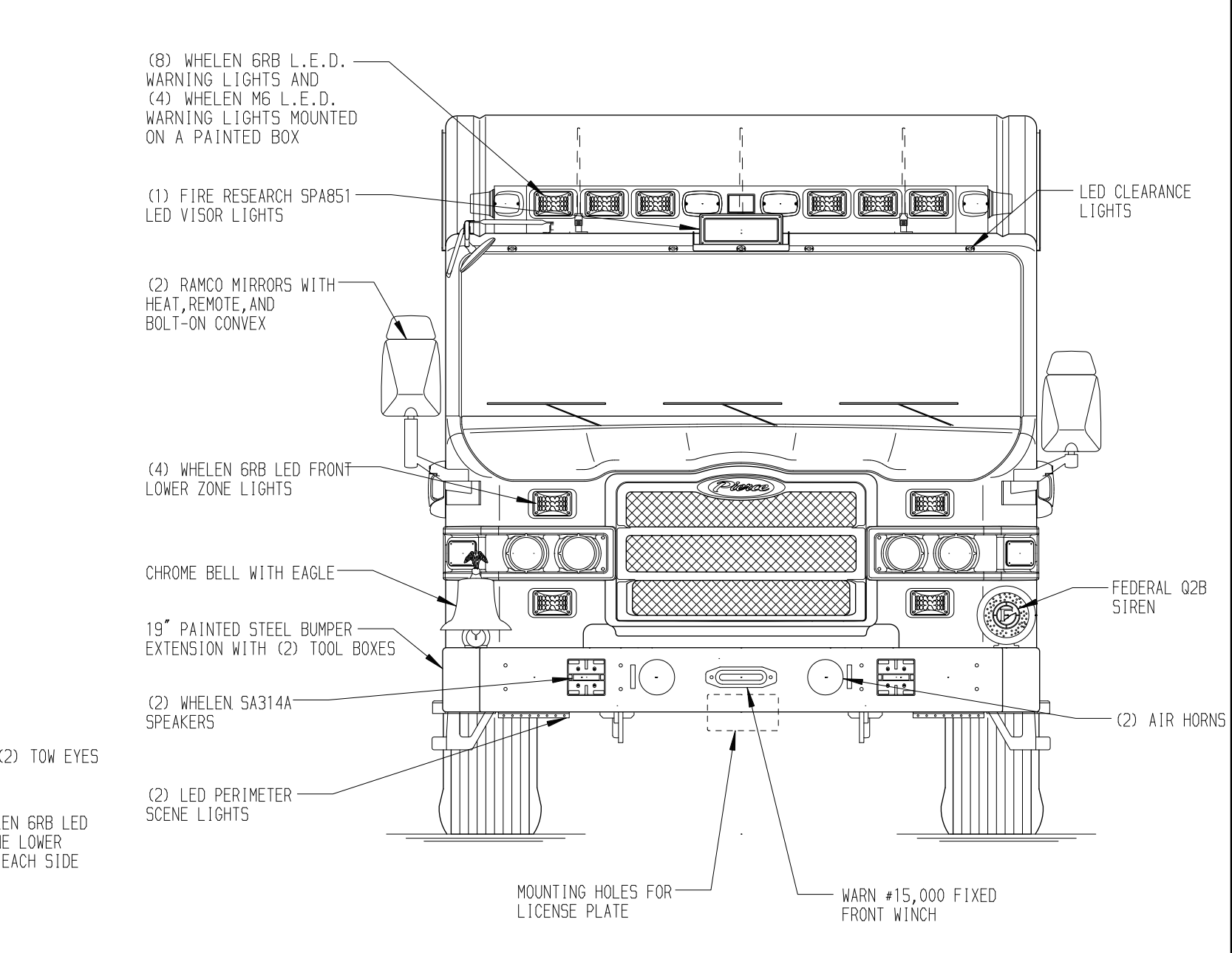
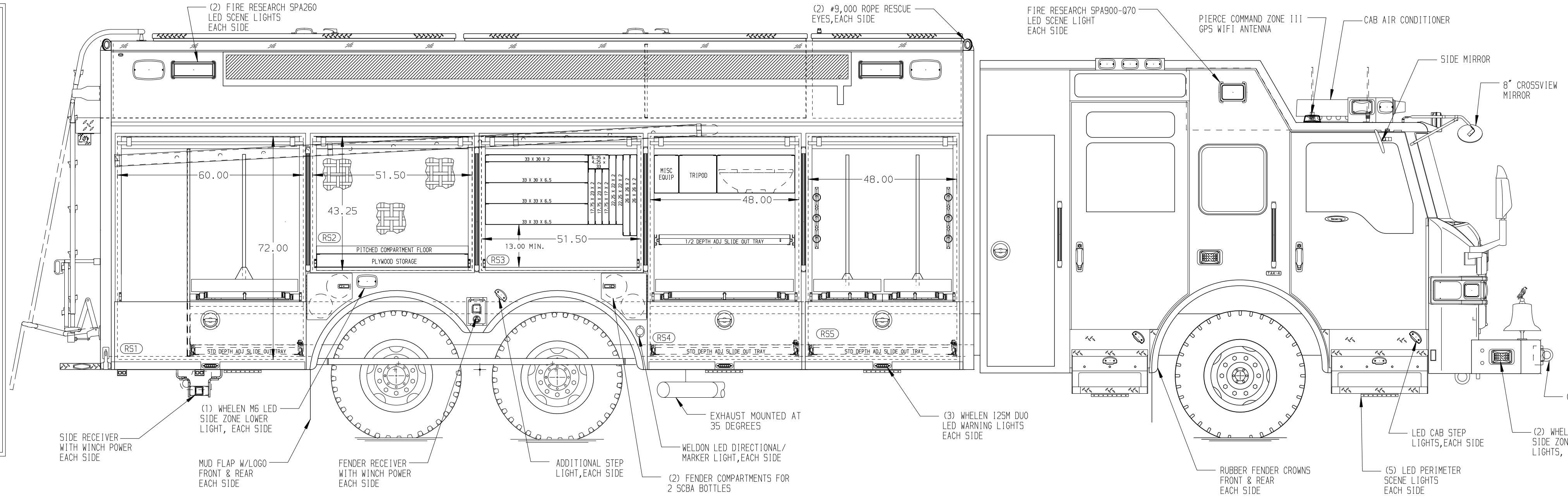
- (1) RACK FOR AIR BAGS

COMPARTMENT R54 CONTAINS:

- (1) HORIZONTAL FLOOR EXTENSION
- (1) 1/2 DEPTH SLIDEMASTER FLOOR MTD TRAY
- (1) STD DEPTH FLOOR MTD TRAY W/SIDE SLIDES
- (1) 1/2 DEPTH ADJ SLIDE OUT TRAY
- (1) STOKES BASKET TROUGH
- (1) TRIPOD STORAGE TROUGH
- (1) EQUIPMENT STORAGE TROUGH
- (2) 20A, 120V DUPLEX RECEPTACLES

COMPARTMENT R55 CONTAINS:

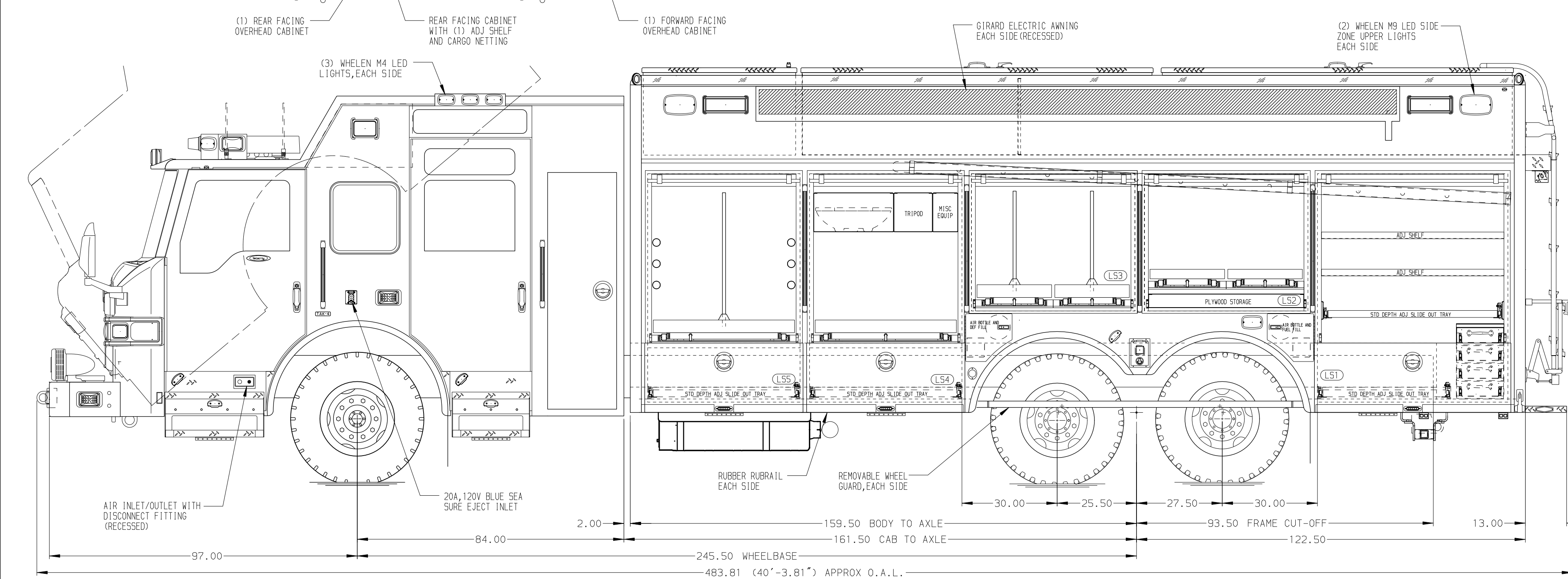
- (1) HORIZONTAL FLOOR EXTENSION
- (2) 1/2 DEPTH SLIDE MASTER TRAYS W/TOOLBOARDS
- (1) STD DEPTH FLOOR MTD TRAY W/SIDE SLIDES
- (6) PIKE POLE TUBES MTD MOUNTED AT SLANT



REAR COMPARTMENT CONTAINS THE FOLLOWING:

COMPARTMENT B1 CONTAINS:

- (3) STD DEPTH ADJ SHELVES
- (1) STD DEPTH FLOOR MTD TRAY W/SIDE SLIDES
- (1) 16' 675-DR DUO SAFETY ROOF LADDER
- (1) 10' 585A DUO SAFETY FOLDING LADDER
- (1) 14' 701 DUO SAFETY FRESNO LADDER



LEFT SIDE COMPARTMENTS CONTAIN THE FOLLOWING:

COMPARTMENT L51 CONTAINS:

- (1) 4-DRAWER CABINET
- (1) STD DEPTH ADJ SLIDE OUT TRAY
- (1) STD DEPTH FLOOR MTD TRAY W/SIDE SLIDES
- (2) STD DEPTH ADJ SHELVES
- (1) VERTICAL REAR WALL DIVIDER

COMPARTMENT L52 CONTAINS:

- (2) 1/2 DEPTH FLOOR MTD SLIDEMASTER TRAYS
- (1) PLYWOOD STORAGE TROUGH
- (1) REINFORCED HORIZONTAL DIVIDER

COMPARTMENT L53 CONTAINS:

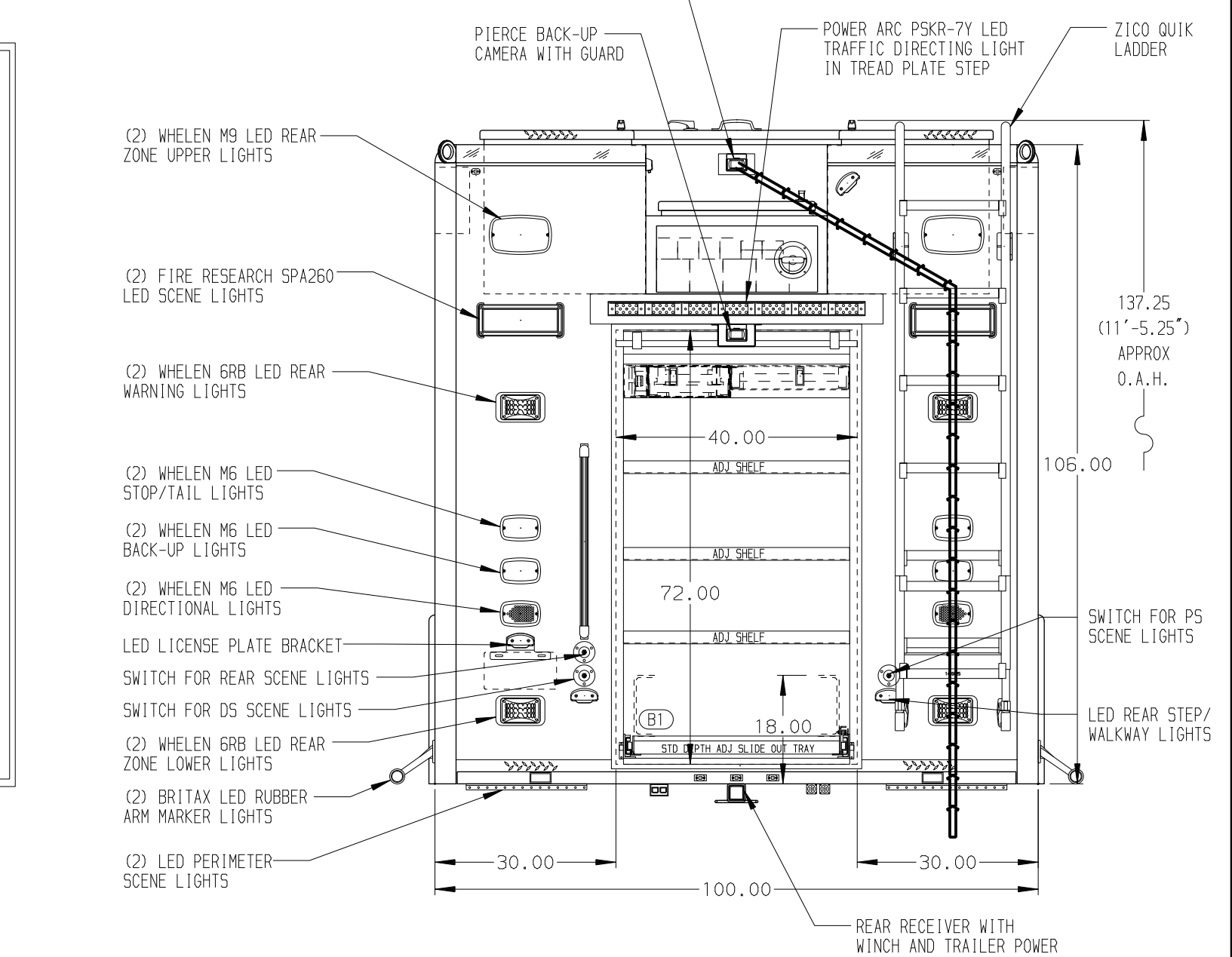
- (2) SPECIAL DEPTH SLIDEMASTER TRAYS W/TOOLBOARDS
- (2) 20A, 120V DUPLEX RECEPTACLES

COMPARTMENT L54 CONTAINS:

- (1) HORIZONTAL FLOOR EXTENSION
- (1) 1/2 DEPTH SLIDEMASTER FLOOR MTD TRAY
- (1) STD DEPTH FLOOR MTD TRAY W/SIDE SLIDES
- (1) STOKES BASKET TROUGH
- (1) TRIPOD STORAGE TROUGH
- (1) EQUIPMENT STORAGE TROUGH

COMPARTMENT L55 CONTAINS:

- (1) HORIZONTAL FLOOR EXTENSION
- (1) 1/2 DEPTH ADJ SLIDEMASTER TRAY W/TOOLBOARD
- (1) STD DEPTH FLOOR MTD TRAY W/SIDE SLIDES



NOTE

DIMENSIONS SHOWN ARE APPROXIMATE AND ARE SUBJECT TO MINOR DEVIATIONS AS MAY OCCUR OR BE NECESSARY IN CONSTRUCTION. MINOR DETAILS NOT SHOWN.

NOTES:

- WARN #10,000 PORTABLE WINCH
- (6) STREAMLIGHT SURVIVOR C4 LED HAND LIGHTS MOUNTED IN CAB AND CREW CAB
- FLOOR IN CAB AND CREW CAB TO BE PADDED RUBBER
- BLUE SEA P12 CHARGER CAB TO BE PADDED RUBBER
- BRUSHED 5/8" ON RADIUS BODY ROOF EDGES
- (4) #9,000 RECEIVER STYLE ROPE ANCHORS
- LED STRIP LIGHTS IN ALL BODY AND HATCH COMPARTMENTS
- 15/20A, 120V DUPLEX RECEPTACLE ABOVE EACH FORWARD FACING CABINET AND (1) INSIDE REAR FACING CABINET ON ENGINE TUNNEL

SIDE ROLL AND FRONTAL IMPACT PROTECTION

CLEAR DOOR WIDTH KEY		CHASSIS DATA	
AMORR ROLL UP DOORS:	-2 1/4"	26MAY20	DHE AZU
CORTITE ROLL UP DOORS:	-2 1/2"	23APR20	DHE AZU
PIERCE DOUBLE LAP DOORS:	-4 1/4"	25FEB20	DHE AZU
PIERCE LIFT-UP LAP DOORS:	-1 1/2"		
(EX: 60" F-F - 2 1/4" = 57 3/4" CLEAR) (F-F) = FRAME TO FRAME		REV	DATE BY CH
		VXFR8420	

Pierce MANUFACTURING INC.		JOB NO.	34528
		SCALE	1:24
		DATE	10FEB20
		DRAWN BY	DHE
		CHECKED BY	AZU
		DATE	12FEB20
		SHEET SIZE	SHEET NO.
		D	1 OF 1

TITLE: HEAVY DUTY RESCUE NON-WALK-IN
FOR: SAN ANTONIO FIRE DEPARTMENT SAN ANTONIO, TX
DWG NO.: 34528AD