

**PUMPER
BODY**

Long Aluminum 2nd Gen Pumper

CHASSIS

Sober FR Chassis

**CHASSIS
AXLE, FRONT, CUSTOM**

18,000 Lb Dana Axle

AXLE, REAR

24,000 Lb Dana Axle

ENGINE

450 HP Cummins L9 Engine

TRANSMISSION

Allison 5th Gen, 3000 EVS P

BUMPER

19" Extended Stainless Steel

CAB

7010 Sober FR Cab

BODY

WATER TANK

750 Gallon Poly Water Tank

COMPT, PUMPER, REAR

51.25" FF RoLup Rear Compt

COMPT, PUMPER, LEFT SIDE

161" RoLup Full Height & Depth Front & Rear

COMPT, PUMPER, RIGHT SIDE

161" RoLup Full Height Front & Rear FDLER

**FIRE SUPPRESSION
PUMPHOUSE**

45" Control Zone Side Mount

PUMP

1500 GPM Waterous CSU

CROSSLAYS, 1.50"

(2) 1.50" Standard Capacity

CROSSLAYS, 2.50"

(1) 2.50" Standard Capacity

SPEEDLAYS

Speedlays Not Required

GENERATOR

Generator Not Required

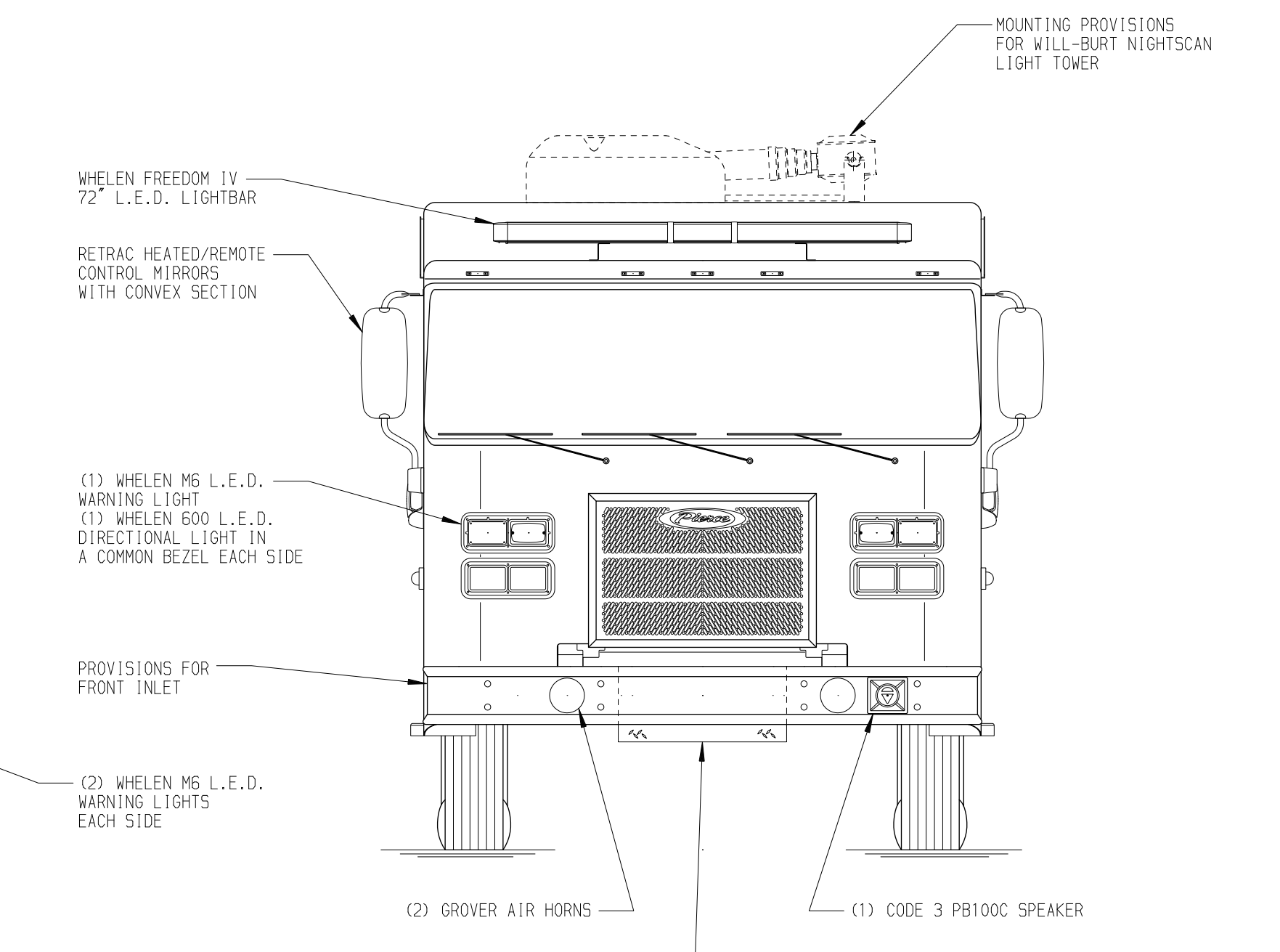
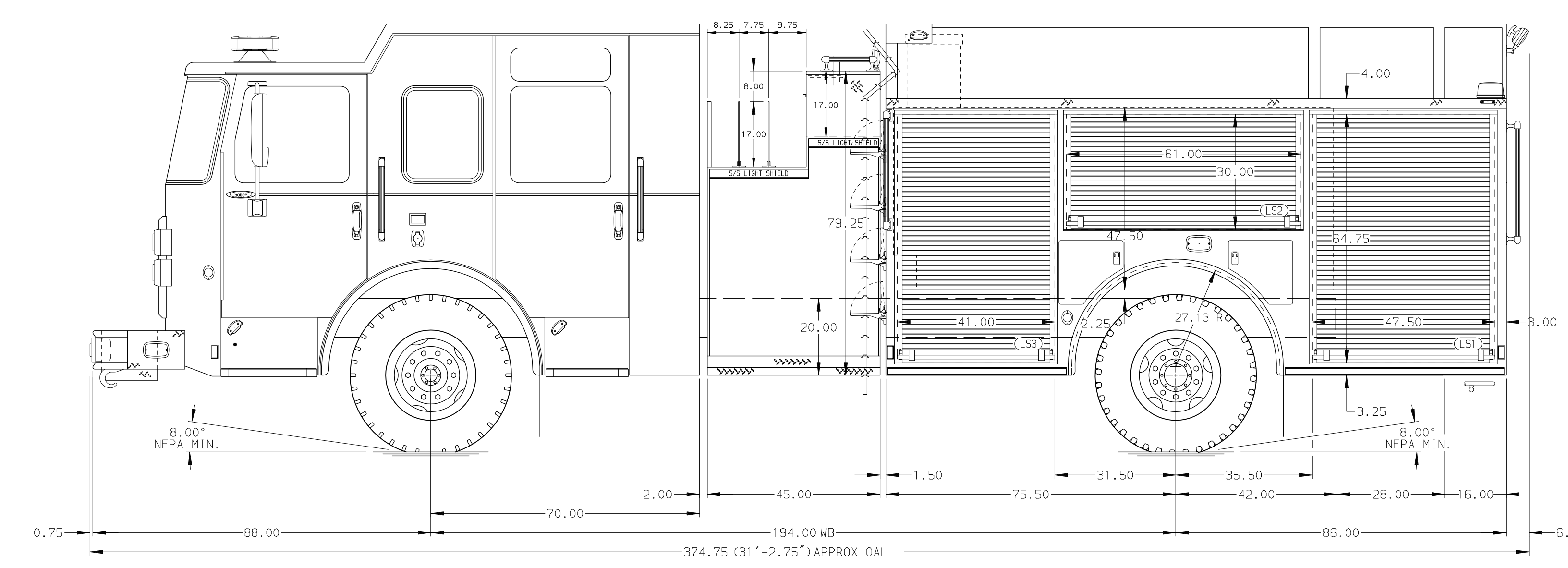
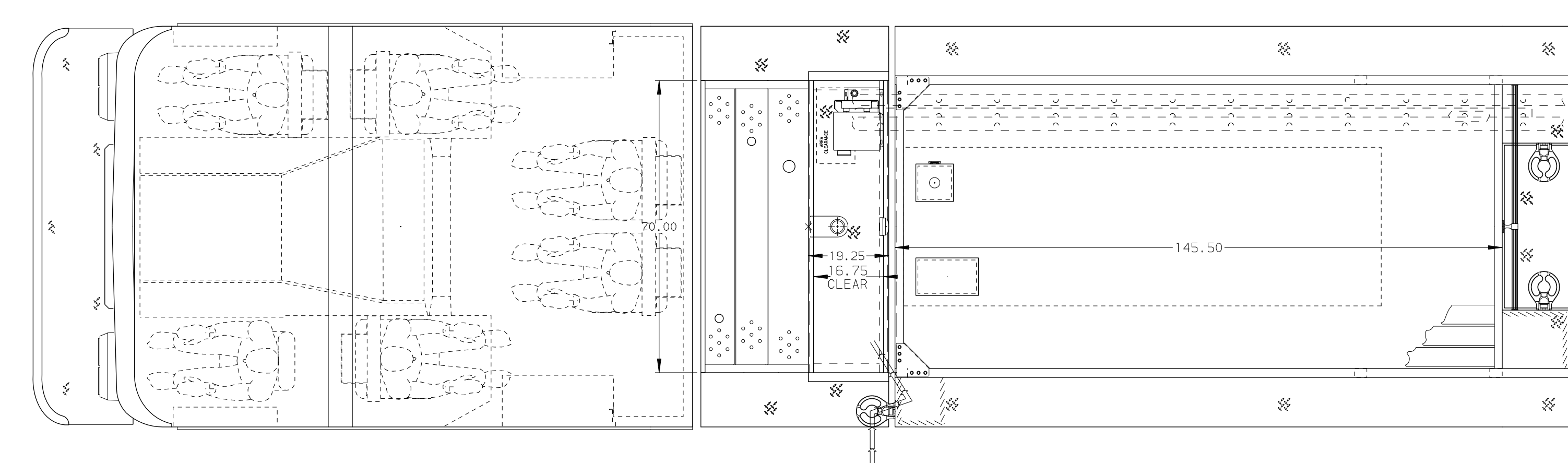
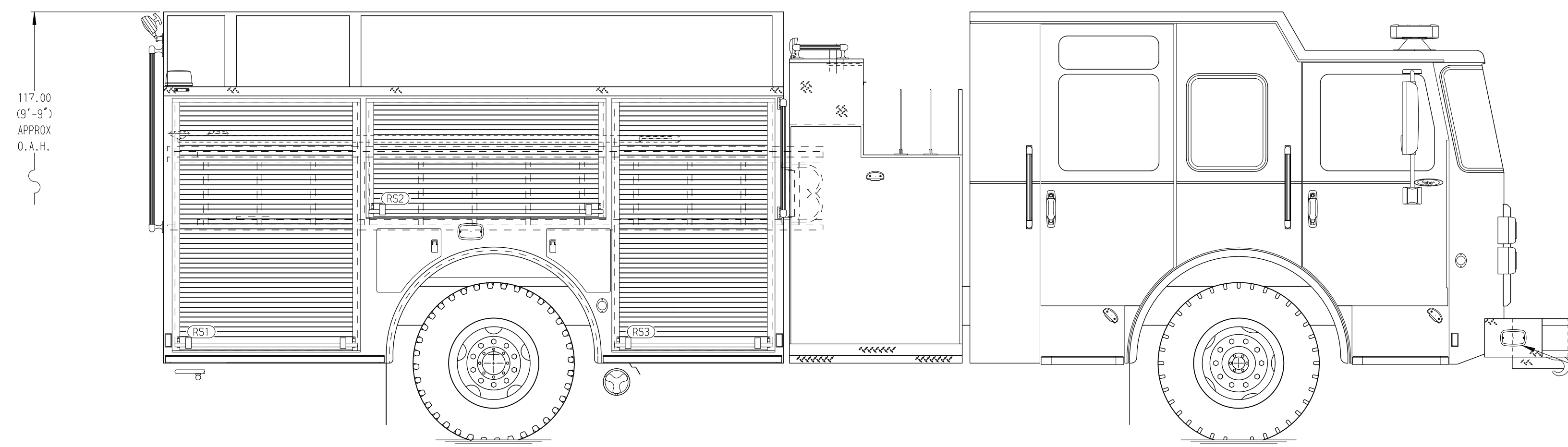
Foam System

Husky 3 Single Agent Foam System

Foam Cell

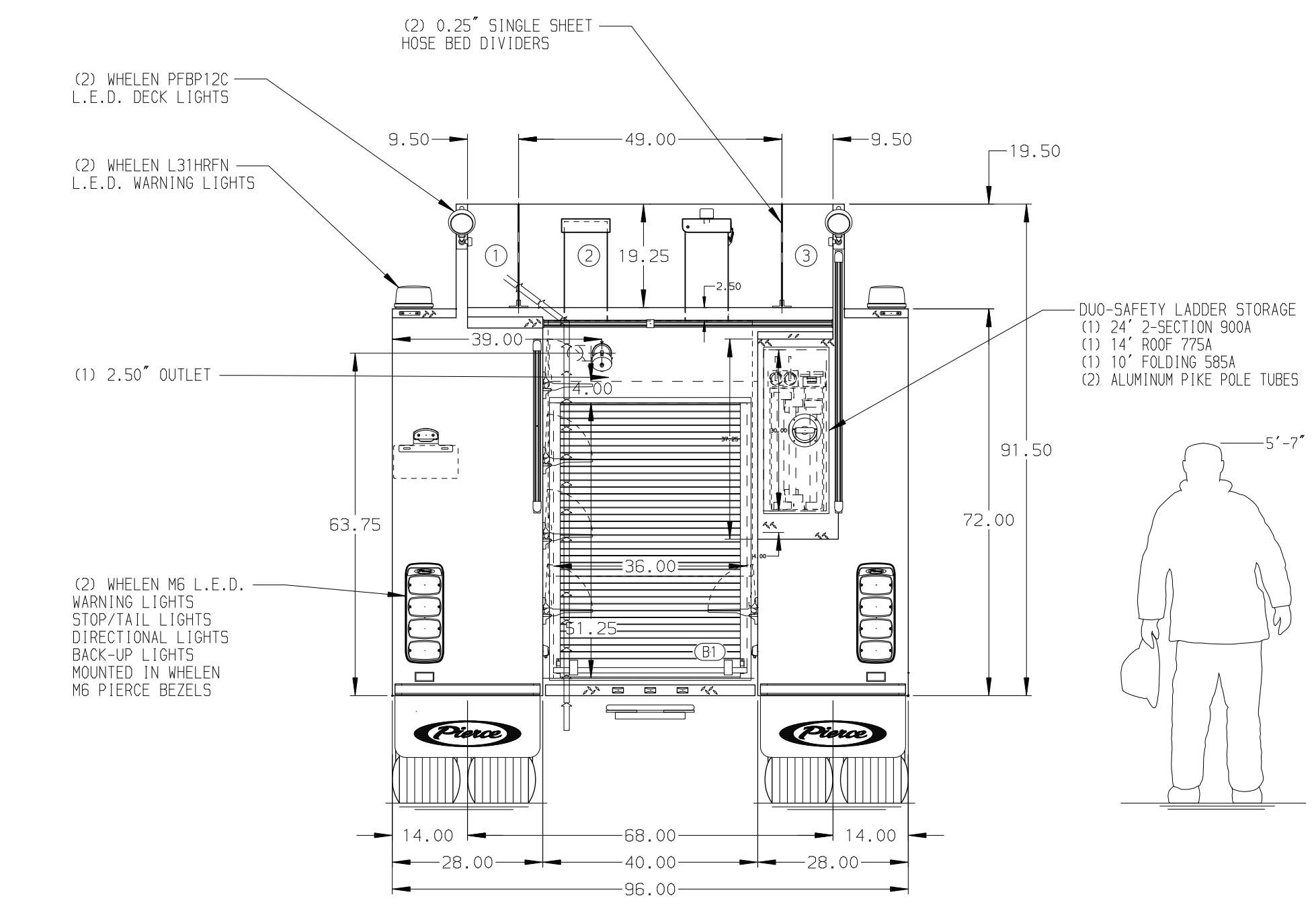
20 Gallon Foam Cell, Not Reduced Water

117.00
(9'-9")
APPROX
O.A.H.



HOSEBED CAPACITY

BED 1
500' OF 2.50" D.J. POLY HOSE
BED 2
1000' OF 5.00" D.J. POLY HOSE
BED 3
500' OF 2.50" D.J. POLY HOSE



NOTE
DIMENSIONS SHOWN ARE APPROXIMATE
AND ARE SUBJECT TO MINOR DEVIATIONS
AS MAY OCCUR OR BE NECESSARY IN
CONSTRUCTION.
MINOR DETAILS NOT SHOWN.

REV	DATE	BY	CH	SABER FR
16MAR20	JLA	CAG		
06JAN20	COL	THS		

Pierce MANUFACTURING INC.		JOB NO.	34512
TITLE		SCALE	DATE
Pierce Pumper Approval Drawing		1:24	
FOR		DRAWN BY	COL
Pierce Stock Unit		CHECKED BY	KBO
DWG NO.		SHEET SIZE	SHEET NO.
34512AD		D	1 OF 1