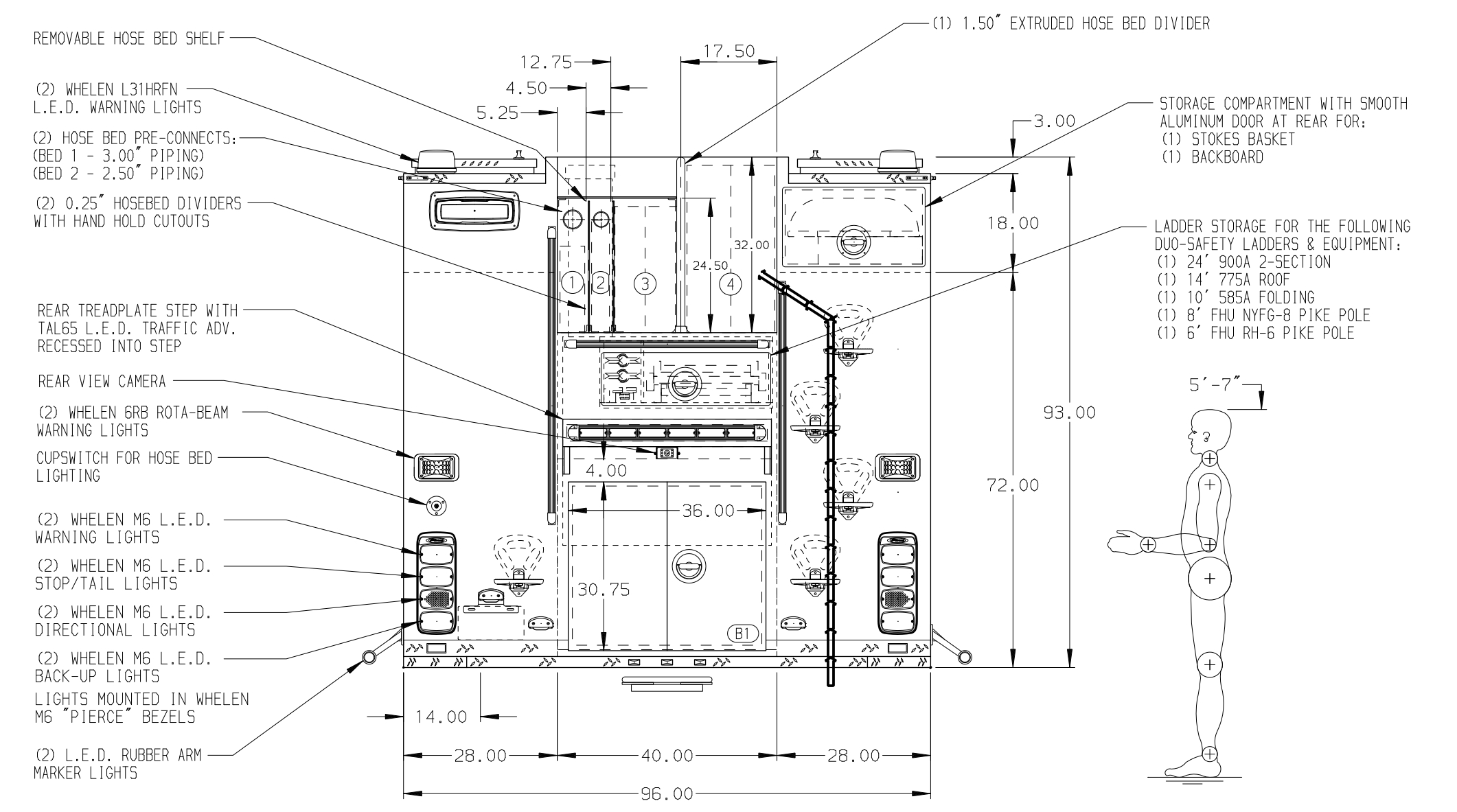
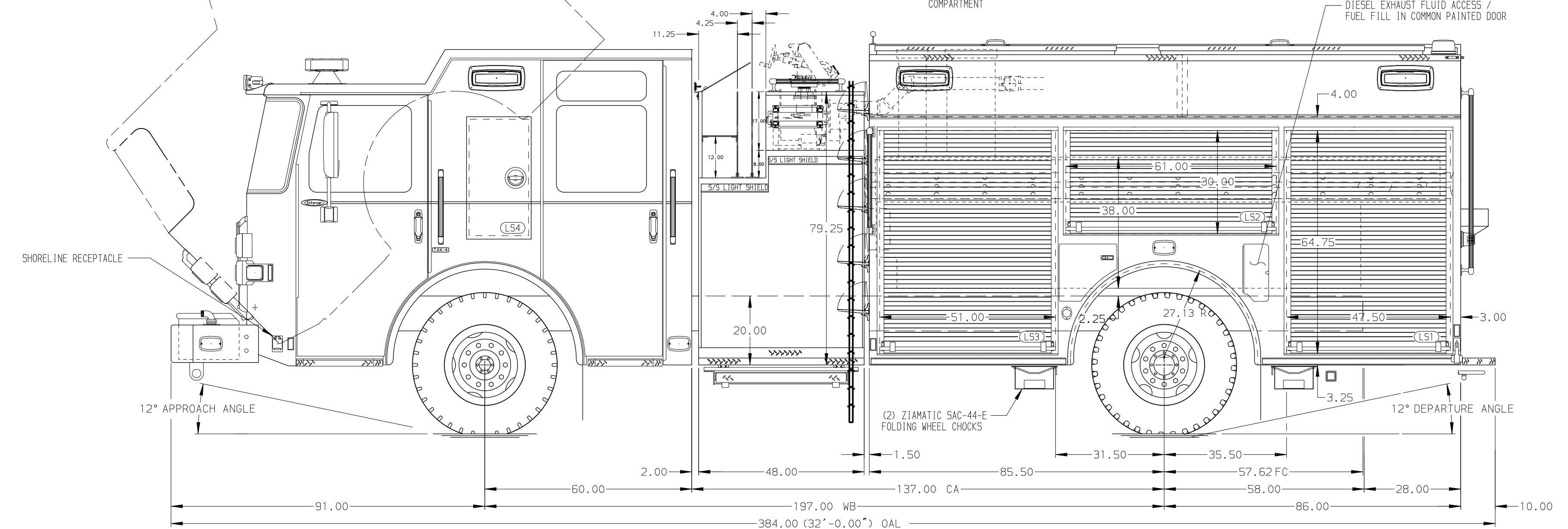


HOSEBED CAPACITIES

- 200' OF 2.50" D.J. POLY HOSE
- 300' OF 1.75" D.J. POLY HOSE
- 400' OF 3.00" D.J. POLY HOSE
- 1000' OF 5.00" D.J. POLY HOSE



ALUMINUM BODY

SIDE ROLL AND FRONTAL IMPACT PROTECTION

NOTE
DIMENSIONS SHOWN ARE APPROXIMATE AND ARE SUBJECT TO MINOR DEVIATIONS AS MAY OCCUR OR BE NECESSARY IN CONSTRUCTION. MINOR DETAILS NOT SHOWN.

- DRIP PAN GUARD FOR ROLL-UP DOOR LOCATED ON ALL BODY COMPARTMENTS
- FULL WIDTH/DEPTH ADJUSTABLE SHELVES LOCATED PER SHOP ORDER
- ONE FLOOR MOUNTED SLIDE-OUT TRAYS LOCATED PER SHOP ORDER
- AKRON EDUCATOR 3096-95 FOAM SYSTEM
- ONE HANNAY ELECTRIC REWIND CORD REEL MODEL 1618-17-18 WITH 200' OF 12/4 CABLE LOCATED INSIDE CARGO COMPARTMENT ABOVE PUMP
- (3) 120V DUPLEX RECEPTACLE LOCATED INSIDE CAB & (1) IN LS3 & RS3
- AIR INLET WITH DISCONNECT COUPLING LOCATED ON LEFT SIDE PUMP PANEL
- BATTERY CHARGER INDICATOR LOCATED ON DRIVER'S SEAT RISER
- CHARGER / COMPRESSOR LOCATED BEHIND DRIVER'S AND OFFICER'S SEATS
- VERTICAL DIVIDER(S) LOCATED PER SHOP ORDER
- L-SHAPED DIVIDER(S) LOCATED PER SHOP ORDER

REV	DATE	BY	CH	ENFORCER
31JAN20	LME	DTS		CHASSIS DATA
14JAN20	GVH	DTS		MAKE
08NOV19	GVH	KOU		MODEL

		JOB NO.	34483
		SCALE	DATE
TITLE	1500-D-500 WATER/30 FOAM, 171" BODY, SIDE CONTROL CROSSLAYS/DEADLAY, DELUGE, GENERATOR, FOAM SYSTEM		
FOR	BETHLEHEM CITY FIRE DEPARTMENT BETHLEHEM, PENNSYLVANIA		
DWG NO.	34483AD		
DRAWN BY	GVH	CHECKED BY	CKN
SHEET SIZE	D	SHEET NO.	1 OF 1