

**RIGHT SIDE COMPARTMENTS CONTAIN THE FOLLOWING:**

**COMPARTMENT R51 CONTAINS:**

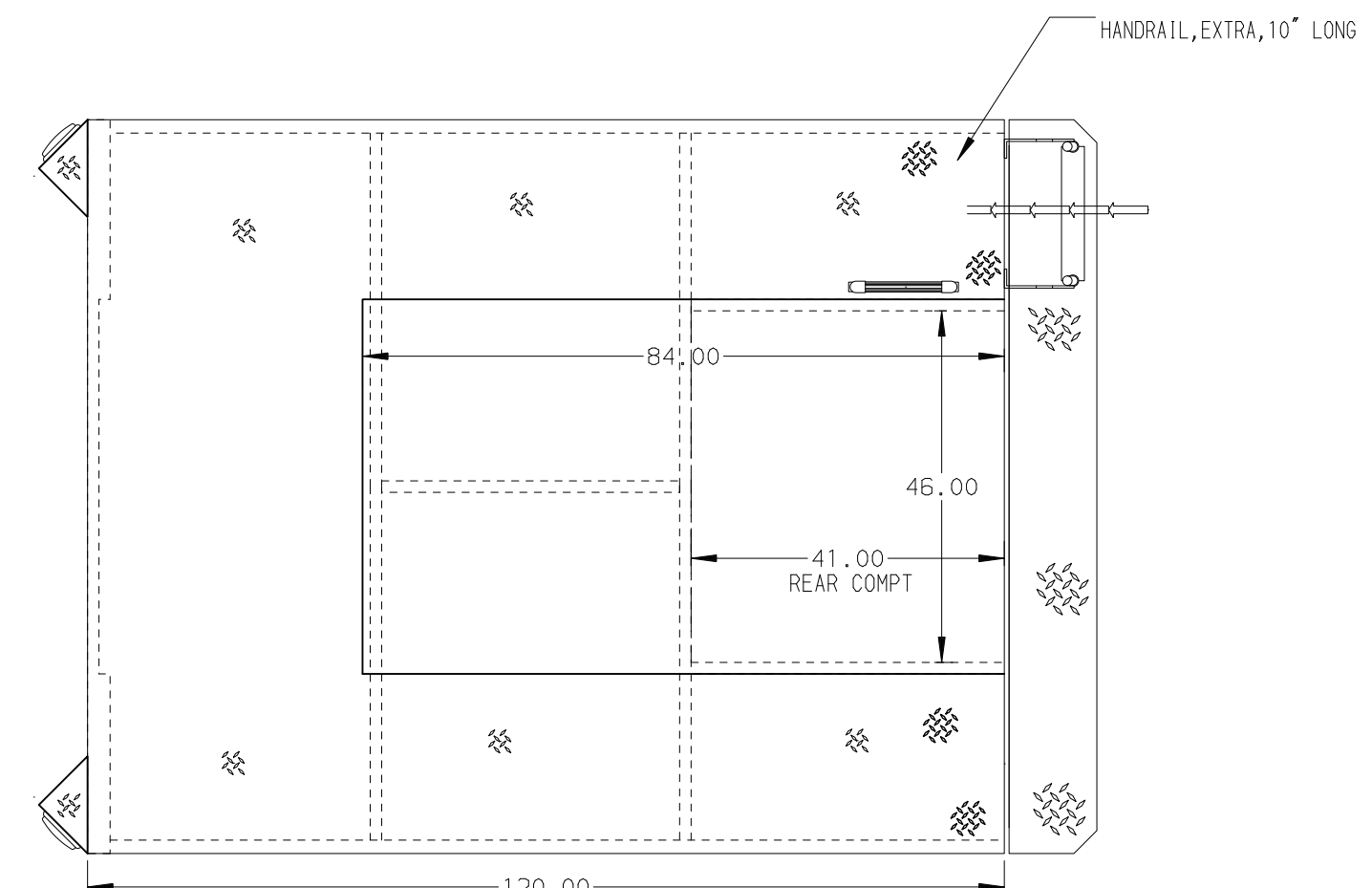
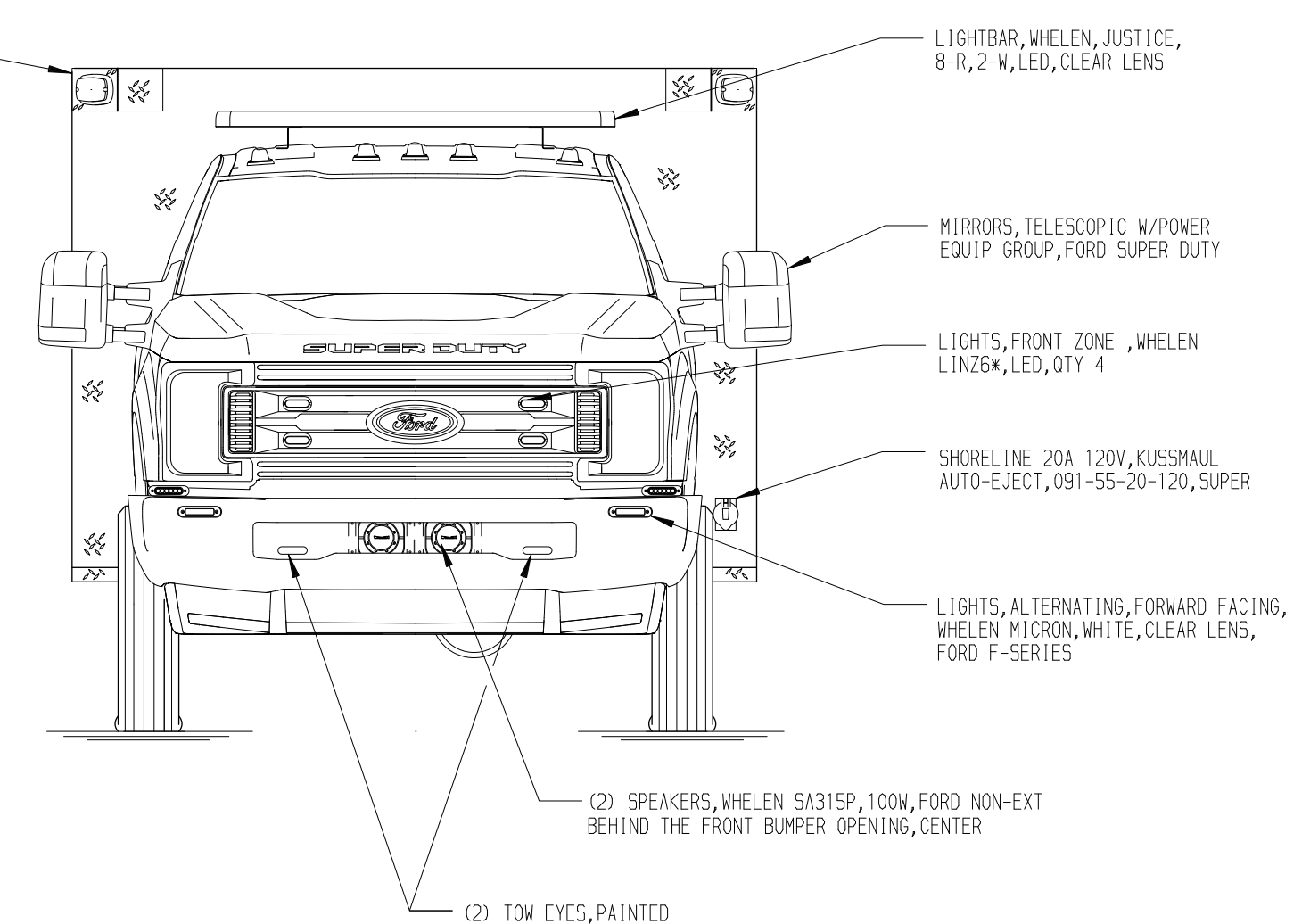
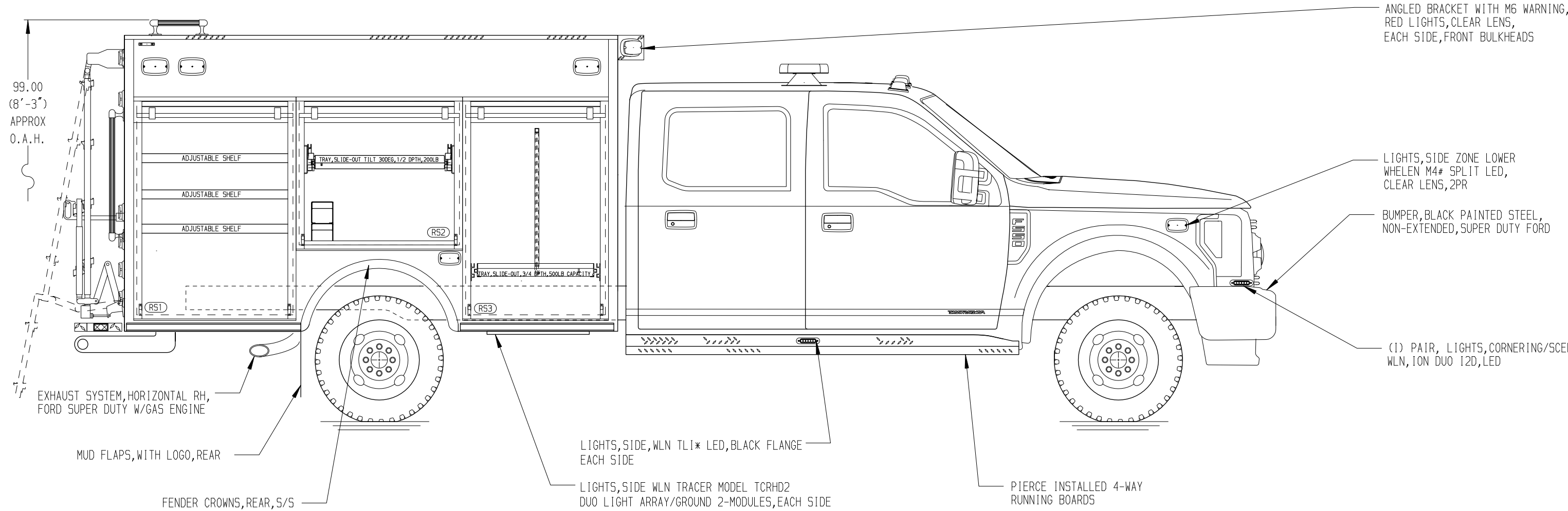
- (3) SHELF, ADJUSTABLE, 500LB CAP. STD DEPTH COMPT
- STORAGE BIN, 2-20# FIRE EXTINGUISHERS, VERT MOUNT, TILT OUT

**COMPARTMENT R52 CONTAINS:**

- (1) 0041756 TRAY, SLIDE OUT, TILT 30°, 1/2 DEPTH OF TRANSVERSE COMPT, 200# CAPACITY
- (1) RACK FOR 2 "D" SIZE OXYGEN BOTTLES
- 1" LIP BOTTOM OF COMPT DOOR OPENING SPATTER PAINTED
- HEATER, ELECTRIC, 12VDC ROADPRO 300 WATT CERAMIC

**COMPARTMENT R53 CONTAINS:**

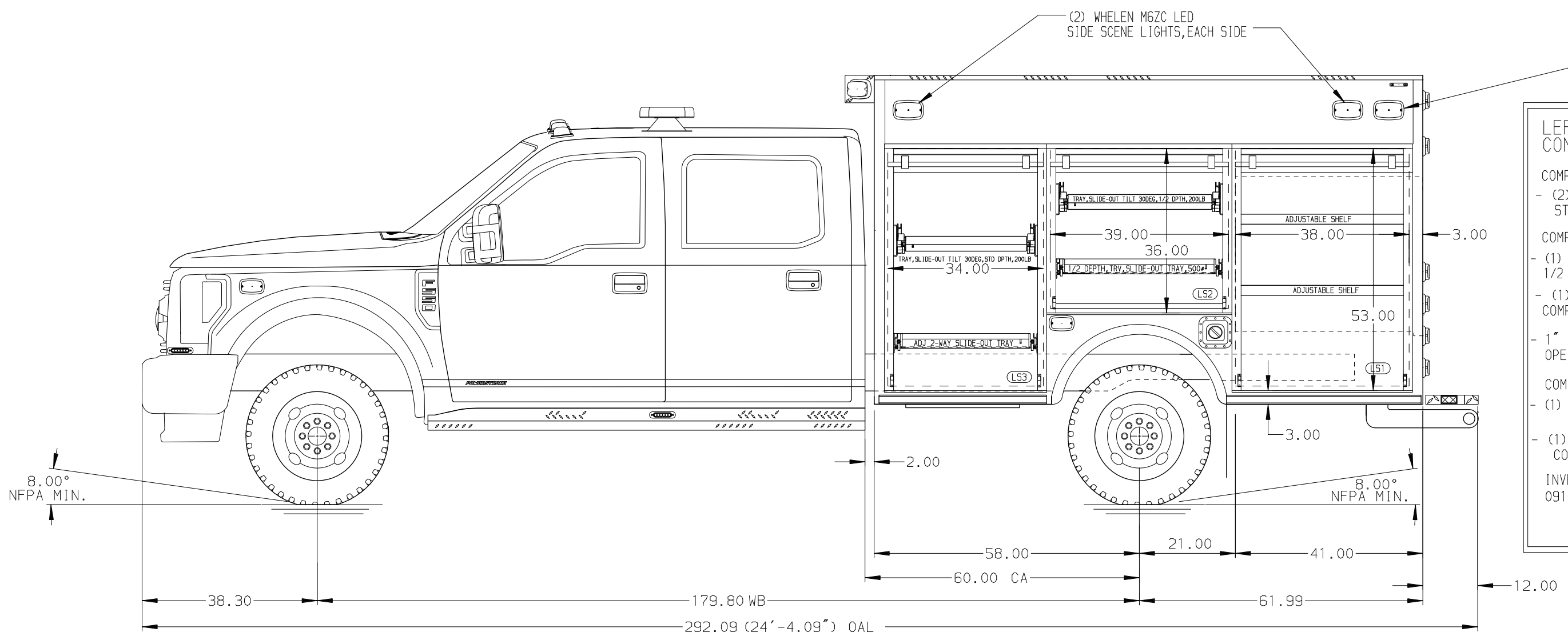
- (1) TOOLBOARD, ADDED TO SLIDE-OUT TRAY, 1/2 DEPTH, TRANSVERSE/STD, TRAY
- (1) TRAY, SLIDE-OUT, 3/4 TRANSVERSE COMPT, ADJUSTABLE HEIGHT, 500 LB CAPACITY



**REAR COMPARTMENT B1 CONTAINS THE FOLLOWING:**

**COMPARTMENT B1 CONTAINS:**

- (1) TRAY SLIDE OUT, STD DEPTH, FLOOR MOUNTED, 500LB CAPACITY
- (1) TRAY, SLIDE OUT, TILT 30°, STD DEPTH COMPT, 200# CAPACITY



**LEFT SIDE COMPARTMENTS CONTAIN THE FOLLOWING:**

**COMPARTMENT LS1 CONTAINS:**

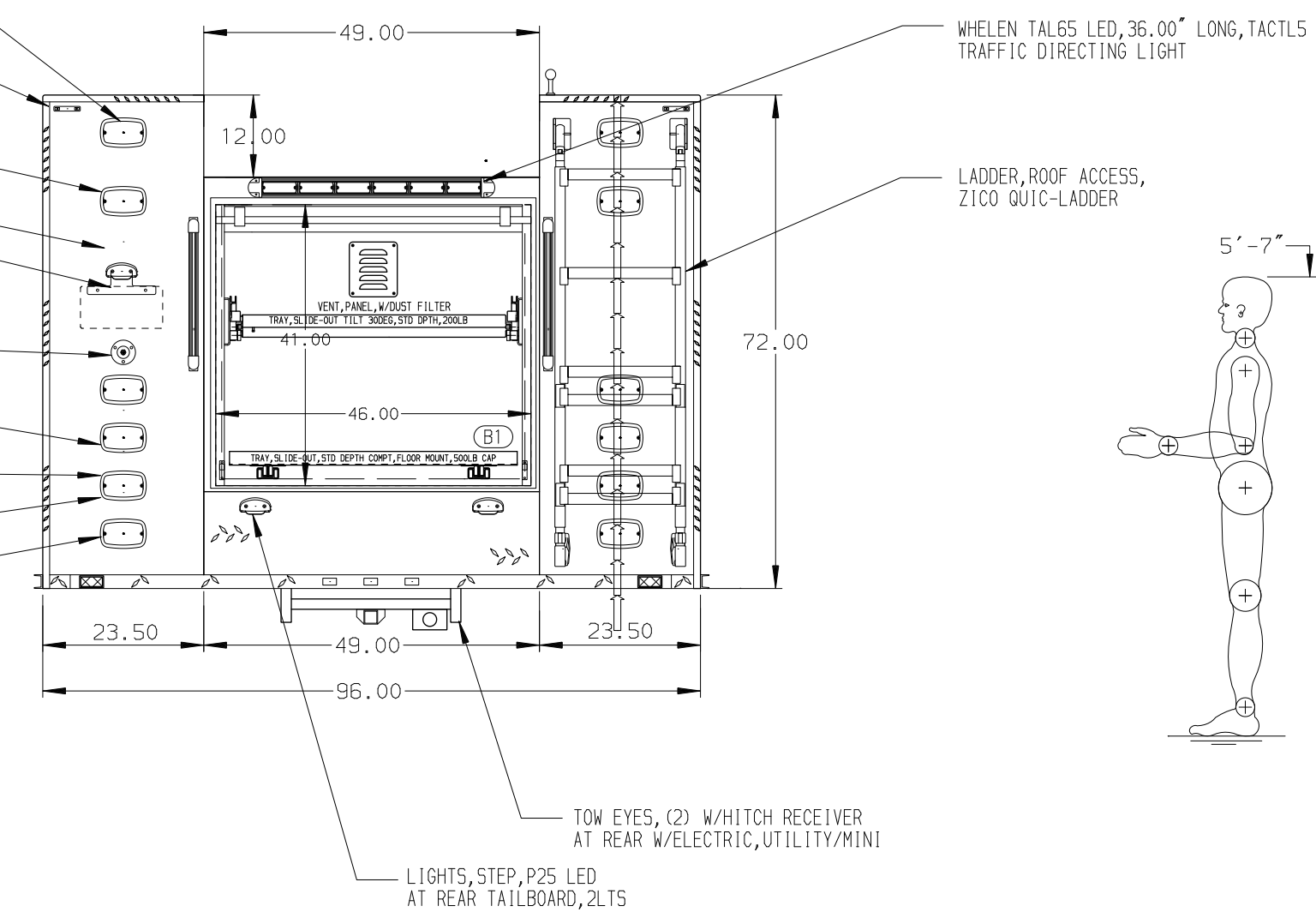
- (2) SHELF, ADJUSTABLE, 500LB CAP. STD DEPTH COMPT

**COMPARTMENT LS2 CONTAINS:**

- (1) 0041756 TRAY, SLIDE OUT, TILT 30°, 1/2 DEPTH OF TRANSVERSE COMPT, 200# CAPACITY
- (1) TRAY, SLIDE OUT, 1/2 TRANSVERSE COMPT, ADJUSTABLE HEIGHT, 500 LB CAP
- 1" LIP BOTTOM OF COMPT DOOR OPENING SPATTER PAINTED

**COMPARTMENT LS3 CONTAINS:**

- (1) TRAY, SLIDE OUT, TILT 30°, STD DEPTH COMPT, 200# CAPACITY
- (1) TRAY, SLIDE OUT, STD DEPTH COMPT, ADJUSTABLE HEIGHT, 500 LB CAP
- INVERTER/BAT CHARGER, KUSSMAUL, 091-263-12-1500 @ 1125 WATTS



**ALUMINUM BODY**

**NOTE**  
DIMENSIONS SHOWN ARE APPROXIMATE AND ARE SUBJECT TO MINOR DEVIATIONS AS MAY OCCUR OR BE NECESSARY IN CONSTRUCTION. MINOR DETAILS NOT SHOWN.

<b>MANUFACTURING INC.</b> BRADENTON, FLORIDA				JOB NO.	34481
				DATE	06AUG20
<b>TITLE</b> 10' RESCUE, NON-WALK IN <b>FOR</b> VANCOUVER, FIRE DEPARTMENT VANCOUVER, BRITISH COLUMBIA				SCALE	1:24
				DRWN BY	JLA
<b>REV.</b> 10DEC20 RHU CAG 07OCT20 RHU CAG 21AUG20 JLA RWI MODEL F-550 4X4				CHK'D BY	RWI
				SHEET NO.	1 OF 1
<b>DRWG. NO.</b> 34481 AD				SHEET SIZE	D