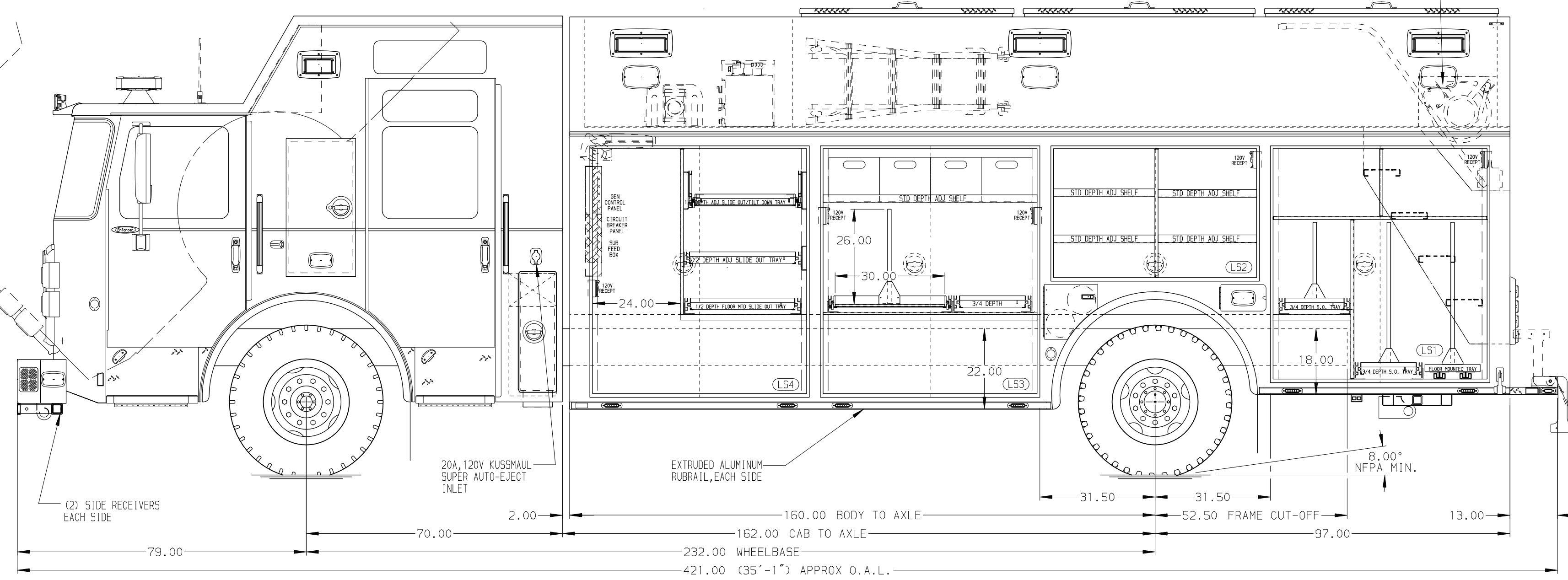
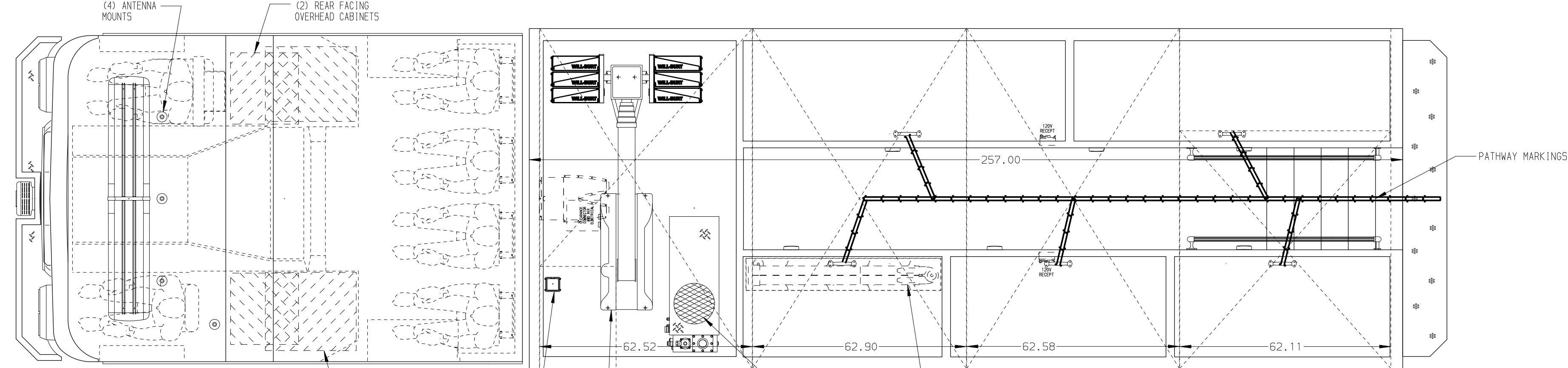
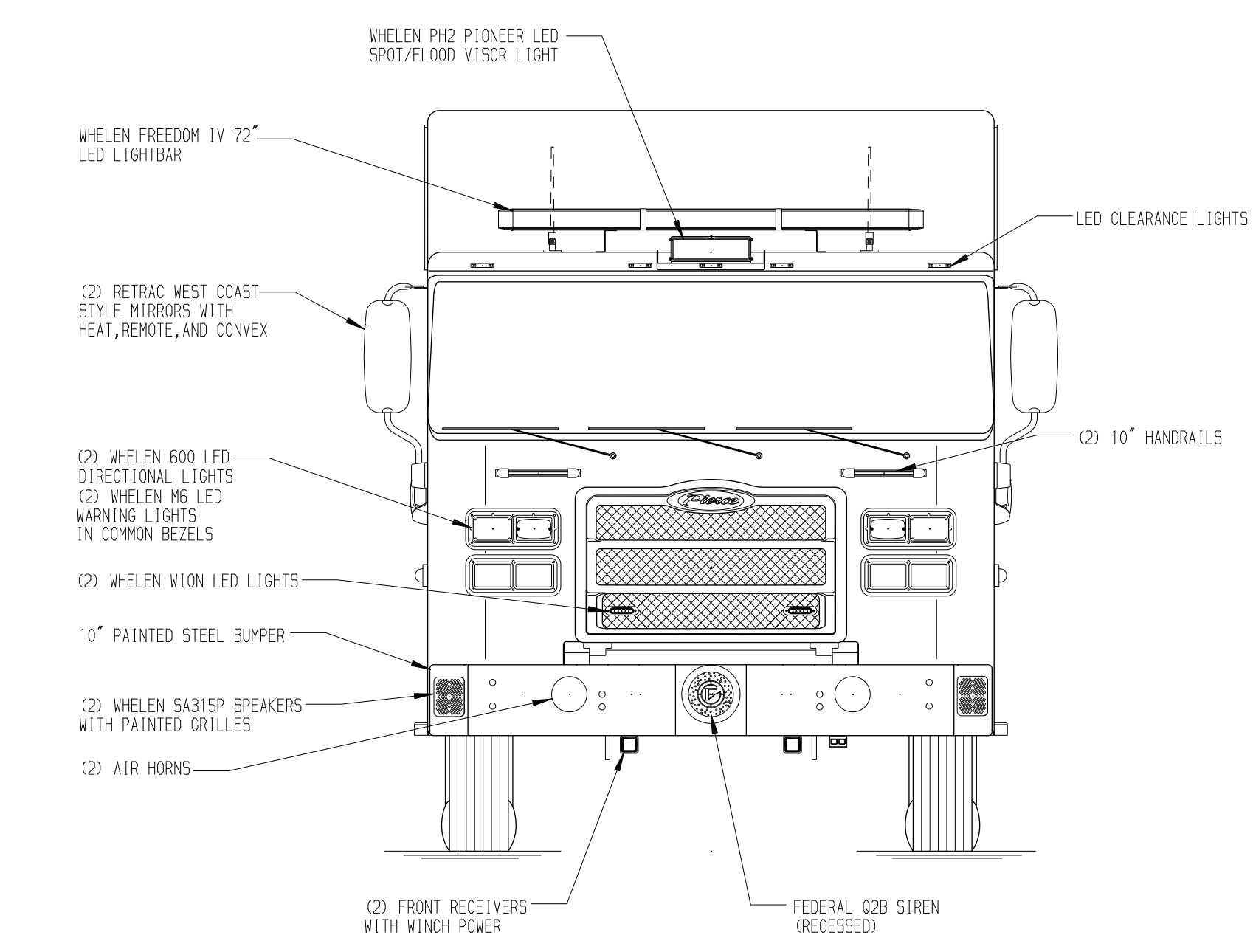
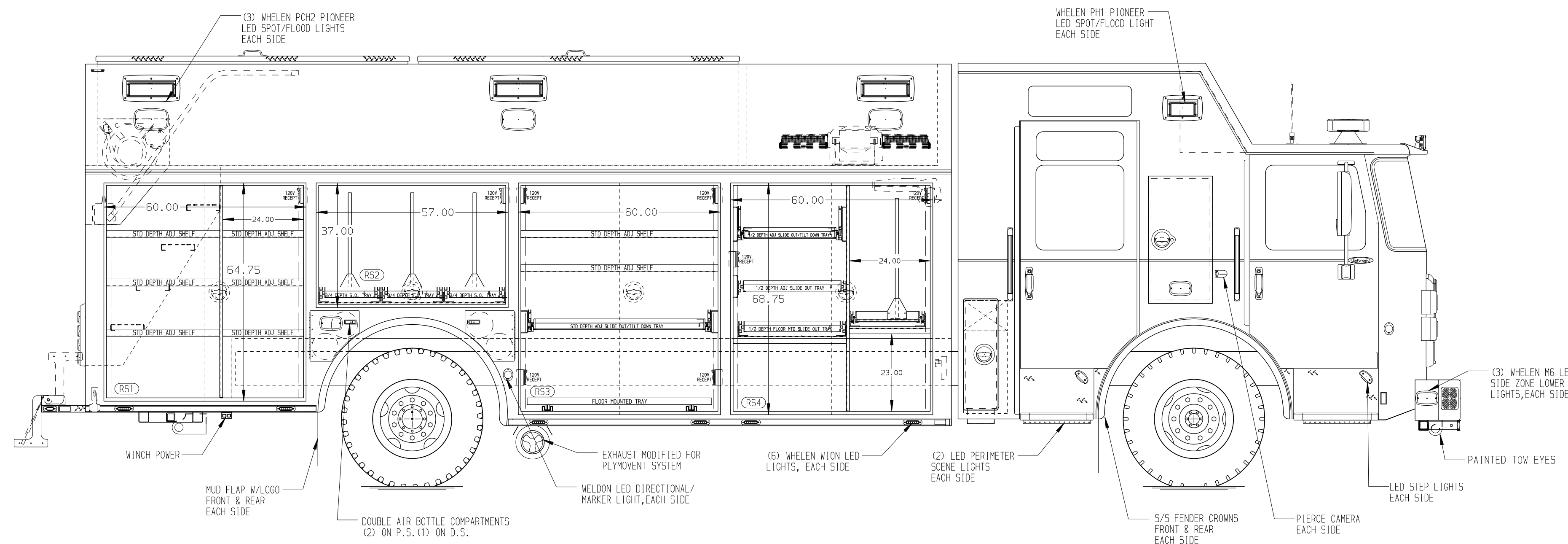


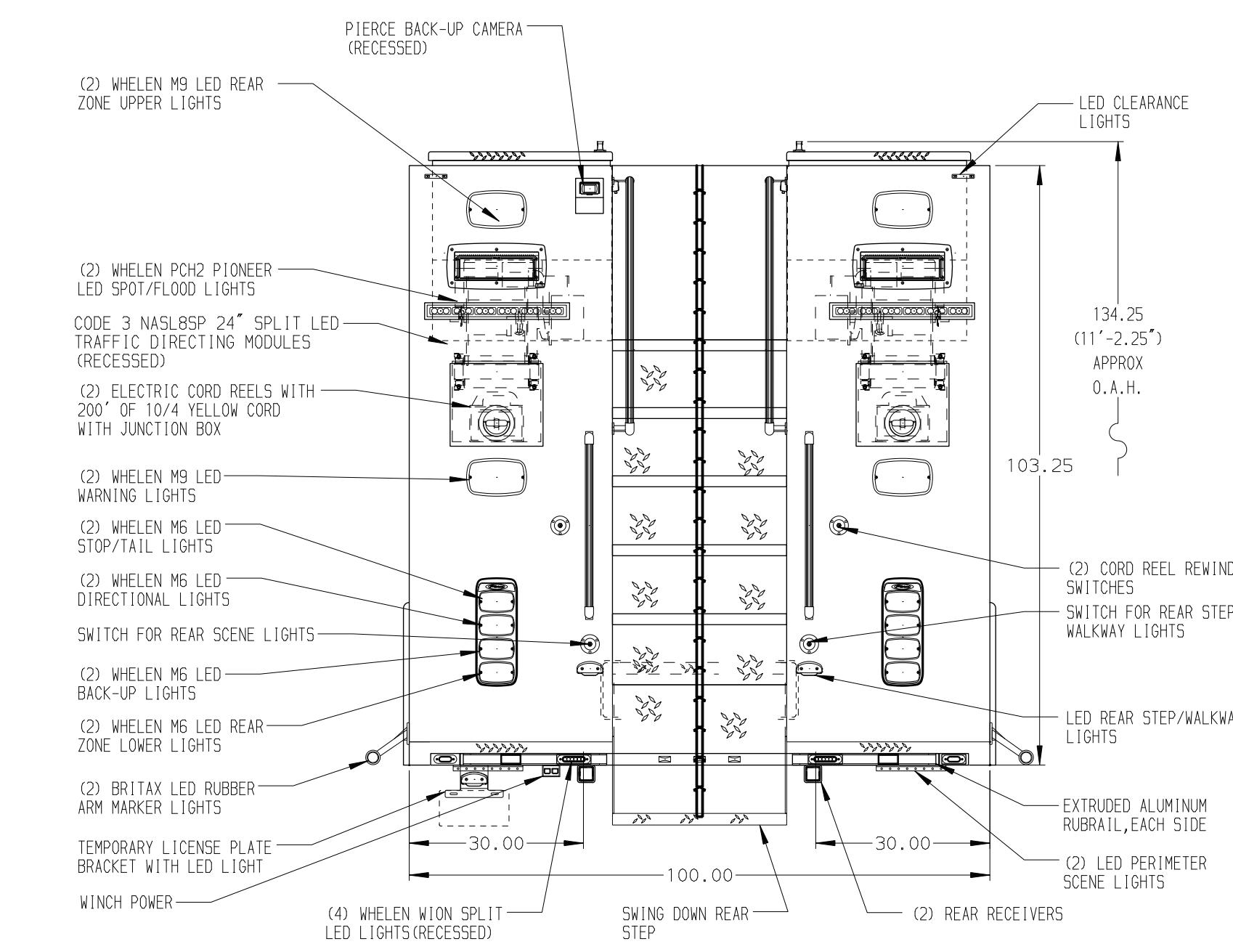
PASSENGER'S SIDE COMPARTMENTS CONTAIN THE FOLLOWING:

- COMPARTMENT P1 CONTAINS:**
 - (6) STD DEPTH ADJ SHELVES
 - (1) VERTICAL COMPARTMENT DIVIDER
 - (1) 15/20A, 120V DUPLEX RECEPTACLE
 - (1) VERTICAL REAR WALL DIVIDER
- COMPARTMENT P2 CONTAINS:**
 - (1) 15/20A, 120V DUPLEX RECEPTACLE
 - (3) 3/4 DEPTH SLIDE OUT TRAYS WITH TOOLBOARDS
- COMPARTMENT P3 CONTAINS:**
 - (2) STD DEPTH ADJ SHELVES
 - (1) STD DEPTH ADJ SLIDE OUT/TILT TRAY
 - (1) STD DEPTH FLOOR MOUNTED TRAY
 - (4) 15/20A, 120V DUPLEX RECEPTABLES
- COMPARTMENT P4 CONTAINS:**
 - (1) CAB LIFT CONTROLLER
 - (1) HORIZONTAL FLOOR EXTENSION
 - (1) 1/2 DEPTH ADJ SLIDE OUT/TILT TRAY
 - (1) 1/2 DEPTH FLOOR MOUNTED TRAY
 - (2) 15/20A, 120V DUPLEX RECEPTACLE
 - (1) 1/2 DEPTH ADJ SLIDE OUT TRAY
 - (1) REINFORCED COMPARTMENT DIVIDER
 - (3) 3/4 DEPTH FLOOR MTD SLIDE OUT TRAY WITH TOOLBOARD
 - (1) VERTICAL COMPARTMENT DIVIDER



DRIVER'S SIDE COMPARTMENTS CONTAIN THE FOLLOWING:

- COMPARTMENT D1 CONTAINS:**
 - (2) 3/4 DEPTH FLOOR MTD SLIDE OUT TRAYS WITH TOOLBOARDS
 - (1) STD DEPTH FLOOR MTD SLIDE OUT TRAY WITH TOOLBOARD
 - (1) HORIZONTAL FLOOR EXTENSION
 - (2) VERTICAL COMPARTMENT DIVIDERS
 - (1) HORIZONTAL COMPARTMENT DIVIDER
 - (1) RACK FOR TWO PIKE POLES
 - (1) 15/20A, 120V DUPLEX RECEPTACLE
- COMPARTMENT D2 CONTAINS:**
 - (1) 15/20A, 120V DUPLEX RECEPTACLE
 - (1) VERTICAL COMPARTMENT DIVIDER
 - (4) STD DEPTH ADJ SHELVES
- COMPARTMENT D3 CONTAINS:**
 - (1) STD DEPTH ADJ SHELF
 - (1) 3/4 DEPTH FLOOR MOUNTED SLIDE OUT TRAY
 - (4) POLY TOOL BOXES
 - (2) 15/20A, 120V DUPLEX RECEPTABLES
 - (1) HORIZONTAL FLOOR EXTENSION
 - (1) 3/4 DEPTH FLOOR MOUNTED SLIDE OUT TRAY WITH TOOLBOARD
- COMPARTMENT D4 CONTAINS:**
 - (1) HORIZONTAL FLOOR EXTENSION
 - (1) 1/2 DEPTH FLOOR MTD SLIDE OUT TRAY
 - (1) 1/2 DEPTH ADJ SLIDE OUT/TILT TRAY
 - (1) 1/2 DEPTH ADJ SLIDE OUT TRAY
 - (1) NIGHT SCAN CONTROLLER
 - (1) CIRCUIT BREAKER PANEL
 - (1) GENERATOR METER PANEL
 - (1) SUB FEED BOX
 - (2) 15/20A, 120V DUPLEX RECEPTABLES
 - (1) 101A 75A BATTERY CHARGER
 - (1) VERTICAL COMPARTMENT DIVIDER
 - (1) VERTICAL REAR WALL DIVIDER



NOTE:
 DIMENSIONS SHOWN ARE APPROXIMATE AND ARE SUBJECT TO MINOR DEVIATIONS AS MAY OCCUR OR BE NECESSARY IN CONSTRUCTION.
 MINOR DETAILS NOT SHOWN.

- NOTES:**
- AIR INLET/OUTLET WITH DISCONNECT COUPLING LOCATED ON DRIVER'S SEAT RISER
 - POLISHED 5/8 S/C SCUFFPLATES ON CAB AND CREW CAB DOOR JAMBS
 - FLOOR IN CAB AND CREW CAB TO BE PADDED RUBBER
 - BRUSHED 5/8 S/C SCUFFPLATE ON DRIVER'S SIDE, OFFICER'S SIDE AND REAR OF ENGINE TUNNEL
 - BATTERY CHARGE INDICATOR LOCATED ON DRIVER'S SEAT RISER
 - ALUMINUM TREADPLATE ON FRONT OF BODY
 - AMTOR LED LIGHTS IN ALL BODY AND HATCH COMPARTMENTS
 - COMPARTMENT VENTILATION SYSTEM
 - 15/20A, 120V DUPLEX RECEPTACLE LOCATED BEHIND THE DRIVER AND OFFICER'S SEATS
 - PULL STRAP ON LIFT UP DOOR IN COMPARTMENTS LS2 AND RS2
 - VINYL COVERED PULL CHAINS ON ALL BODY DOUBLE DOORS
 - BRUSHED 5/8 S/C SCUFFPLATES ON BOTTOM OF DOOR FRAME IN ALL SIDE BODY COMPARTMENTS
 - BRUSHED 5/8 S/C SCUFFPLATES ON INSIDE OF ALL SIDE BODY COMPARTMENT DOORS

CLEAR DOOR WIDTH KEY

| DOOR TYPE | WIDTH |
|--------------------------|---------|
| AMTOR ROLL UP DOORS | -2 1/4" |
| CURTAIN ROLL UP DOORS | -2 1/2" |
| PIERCE DOUBLE LAP DOORS | -4 1/4" |
| PIERCE LIFT-UP LAP DOORS | -1 1/2" |

(EX: 60" F-F - 2 1/4" = 57 3/4" CLEAR)
 (F-F) = FRAME TO FRAME

NOTE:
 LAP DOORS HAVE BEEN SHOWN IN HIDDEN LINES TO CLEARLY IDENTIFY THE EQUIPMENT IN EACH COMPARTMENT. DASHED LINES ON SIDES ARE DOORS IN OPEN POSITION

| | | | |
|---------|-------------------------------------|------------|-------------|
| | | JOB NO. | 34463 |
| | | SCALE | DATE |
| TITLE | HEAVY DUTY RESCUE NON-WALKIN | DRAWN BY | DHE 14JAN20 |
| FOR | BRIGHTON FIRE DISTRICT BRIGHTON, NY | CHECKED BY | AZU 15JAN20 |
| DWG NO. | 34463AD | SHEET SIZE | SHEET NO. |
| | | | D 1 OF 1 |

STAINLESS STEEL BODY

| REV | DATE | BY | CH | CHASSIS DATA |
|---------|------|-----|--------|--------------|
| 12MAY20 | DHE | AZU | MAKE | |
| 27MAR20 | DHE | AZU | PIERCE | |
| 27JAN20 | DHE | AZU | MODEL | |
| | | | EN7024 | |