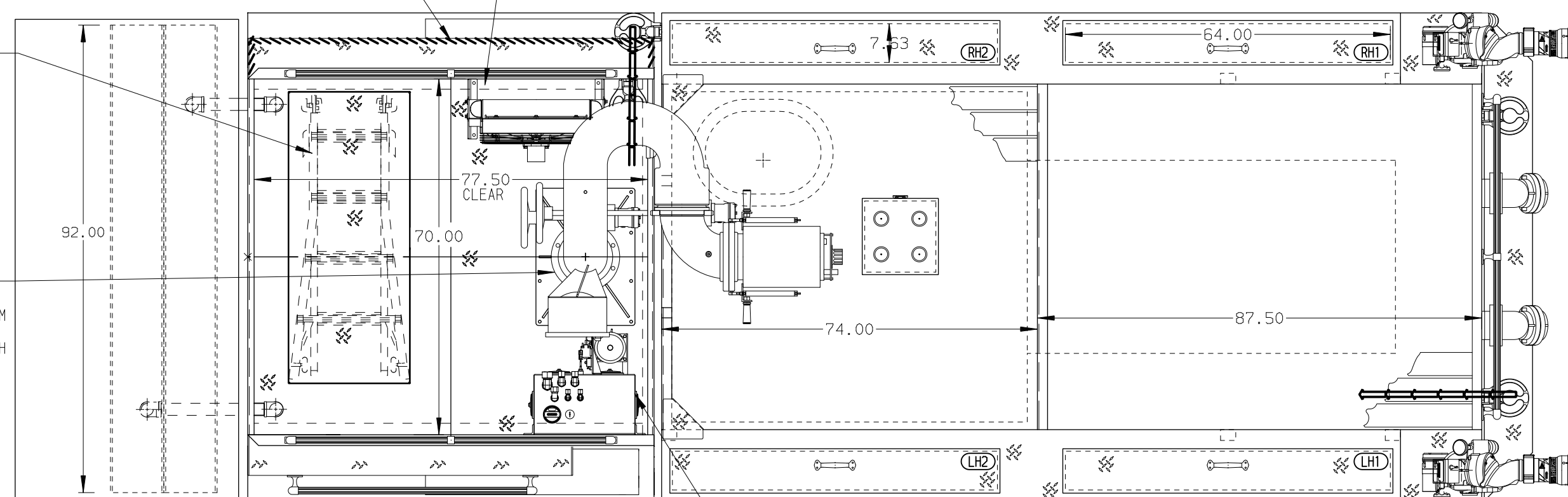
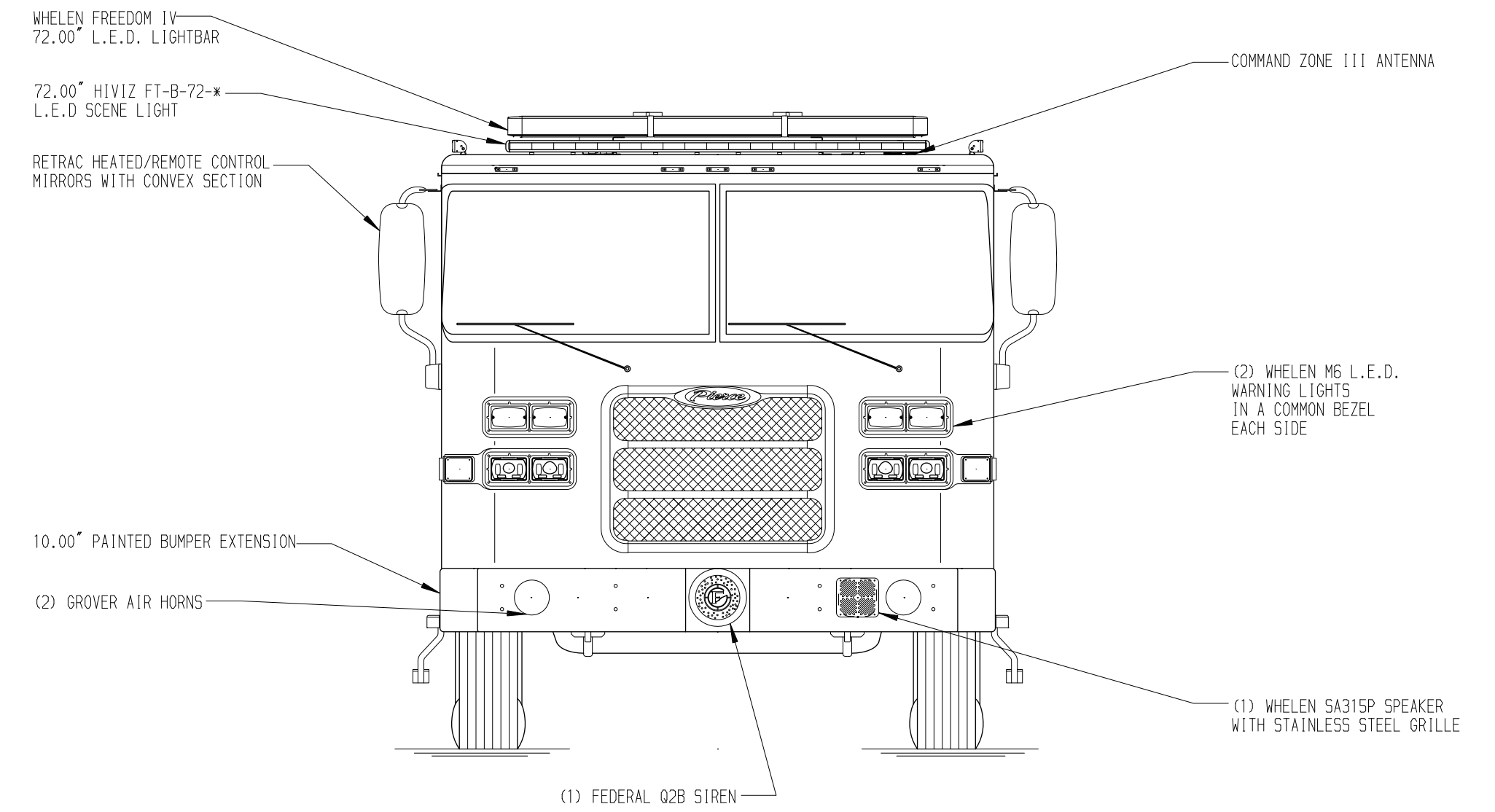
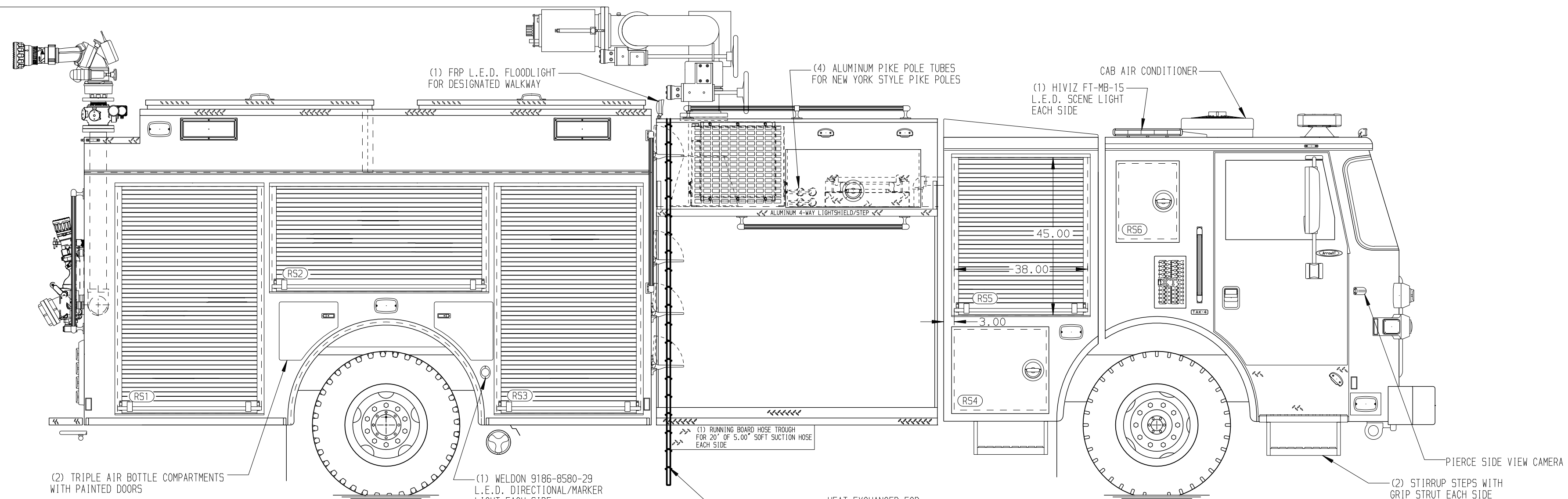
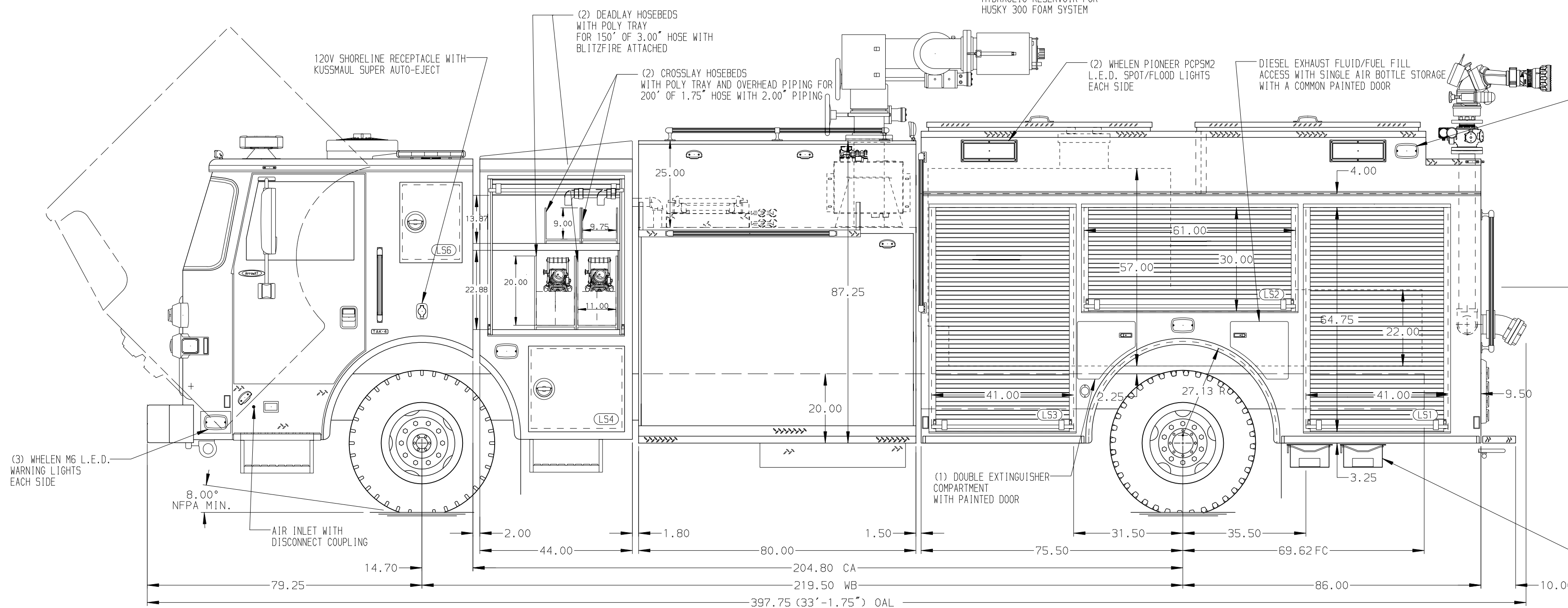
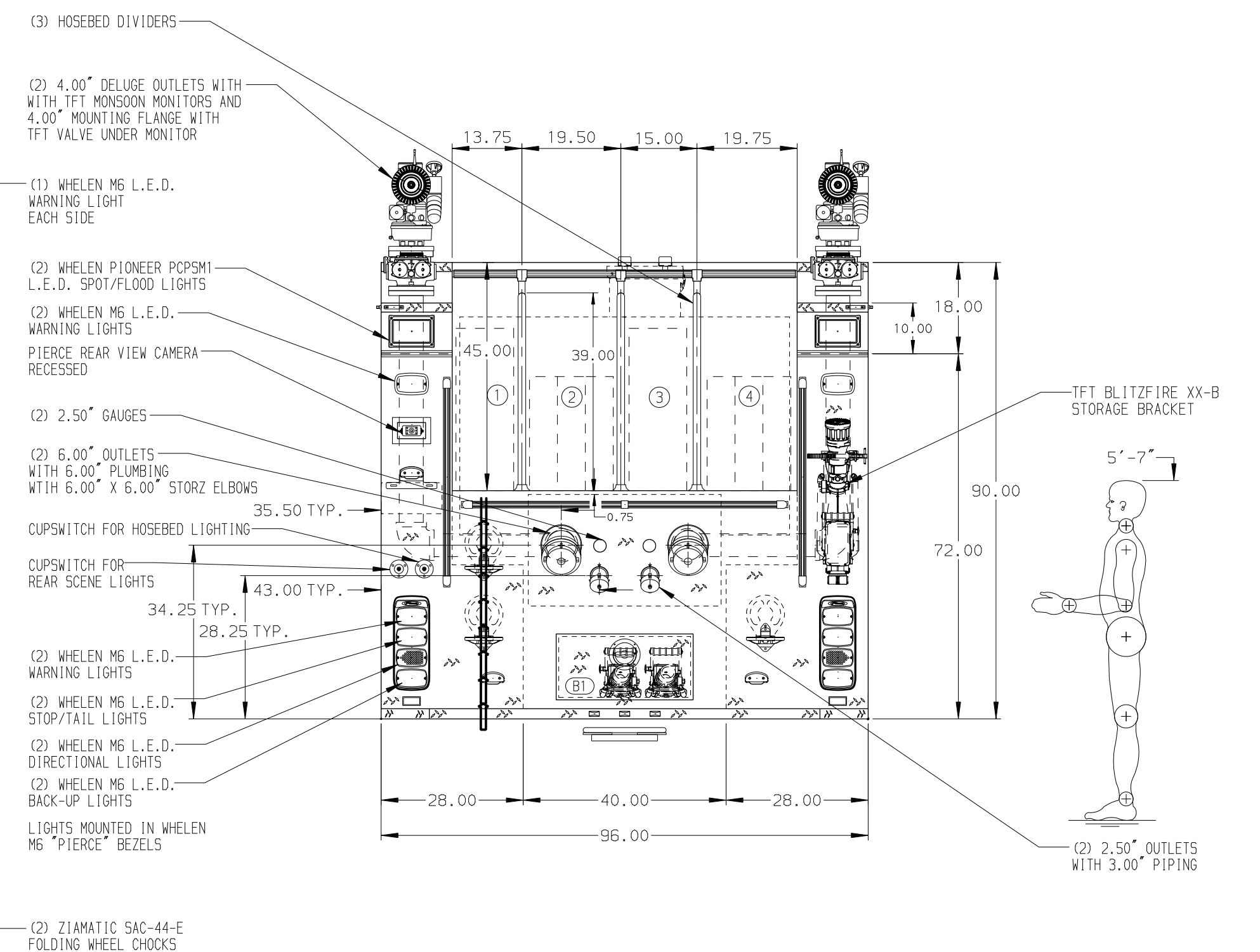


143.00
(11'-11")
APPROX
O.A.H.



- HOSEBED CAPACITIES**
- ① - 300' OF 7.25" FIREQUIP HOSE
 - ② - 600' OF 5.00" FIREQUIP HOSE
 - ③ - 300' OF 7.25" FIREQUIP HOSE
 - ④ - 500' OF 3.00" FIREQUIP HOSE



ALUMINUM BODY

SIDE ROLL AND FRONTAL IMPACT PROTECTION

NOTE

DIMENSIONS SHOWN ARE APPROXIMATE AND ARE SUBJECT TO MINOR DEVIATIONS AS MAY OCCUR OR BE NECESSARY IN CONSTRUCTION. MINOR DETAILS NOT SHOWN.

1. BATTERY CHARGER LOCATED BEHIND DRIVER'S SEAT
2. BATTERY CHARGER INDICATOR LOCATED AT DRIVER'S SIDE STEP AREA
3. DUAL L.E.D. LIGHT STRIPS LOCATED IN HOSE BED
4. ADDITIONAL L.E.D. DUAL LIGHT STRIPS LOCATED IN HOSE BED
5. ONE FULL WIDTH/DEPTH ADJUSTABLE SHELF IN LS1, LS3, RS1, RS2, AND RS3
6. TWO ADJUSTABLE SHELVES (FULL WIDTH) IN TRANSVERSE ENGINEER COMPARTMENT
7. ONE FLOOR MOUNTED SLIDE-OUT TRAY IN LS1, LS3, RS1, AND RS3
8. ALUMINUM PEGBOARD MOUNTED ON THE REAR WALL OF RS2
9. TWO ADDITIONAL POLY TRAYS SHIPPED LOOSE
10. ALUMINUM PEGBOARD MOUNTED ON THE UPPER REAR WALL OF LS3 AND RS3

11. ONE 120V NEMA DUPLEX RECEPTACLE BEHIND THE OFFICER'S SEAT ON THE ENGINE TUNNEL, BEHIND THE DRIVER'S SEAT ON THE ENGINE TUNNEL, IN LS1, LS2, LS3, RS1, RS2, AND RS3
12. ONE ADJUSTABLE TILT/SLIDE-OUT TRAY IN LS2 WITH CABLE RELEASE

REV	DATE	BY	CH	ARROW	XT
30JUN20	LST	AZA		CHASSIS DATA	
28FEB20	LST	AZA		MAKE	
19FEB20	LST	AZA		PIERCE	
08JAN20	LST	AZA		MODEL	
08NOV19	LST	AZA			

	JOB NO.	34461
	SCALE	DATE
TITLE	5500-D-1000 GAL FOAM, 161" INDUSTRIAL PUMPER (2) CROSSLAYS, (3) MONITORS, ENGINEERS COMPARTMENT	DRAWN BY
FOR	MONROE ENERGY SOLUTIONS MARCUS HOOK, PENNSYLVANIA	LST
DWG NO.	34461AD	CHECKED BY
		AZA
		SHEET SIZE
		D
		SHEET NO.
		1 OF 1