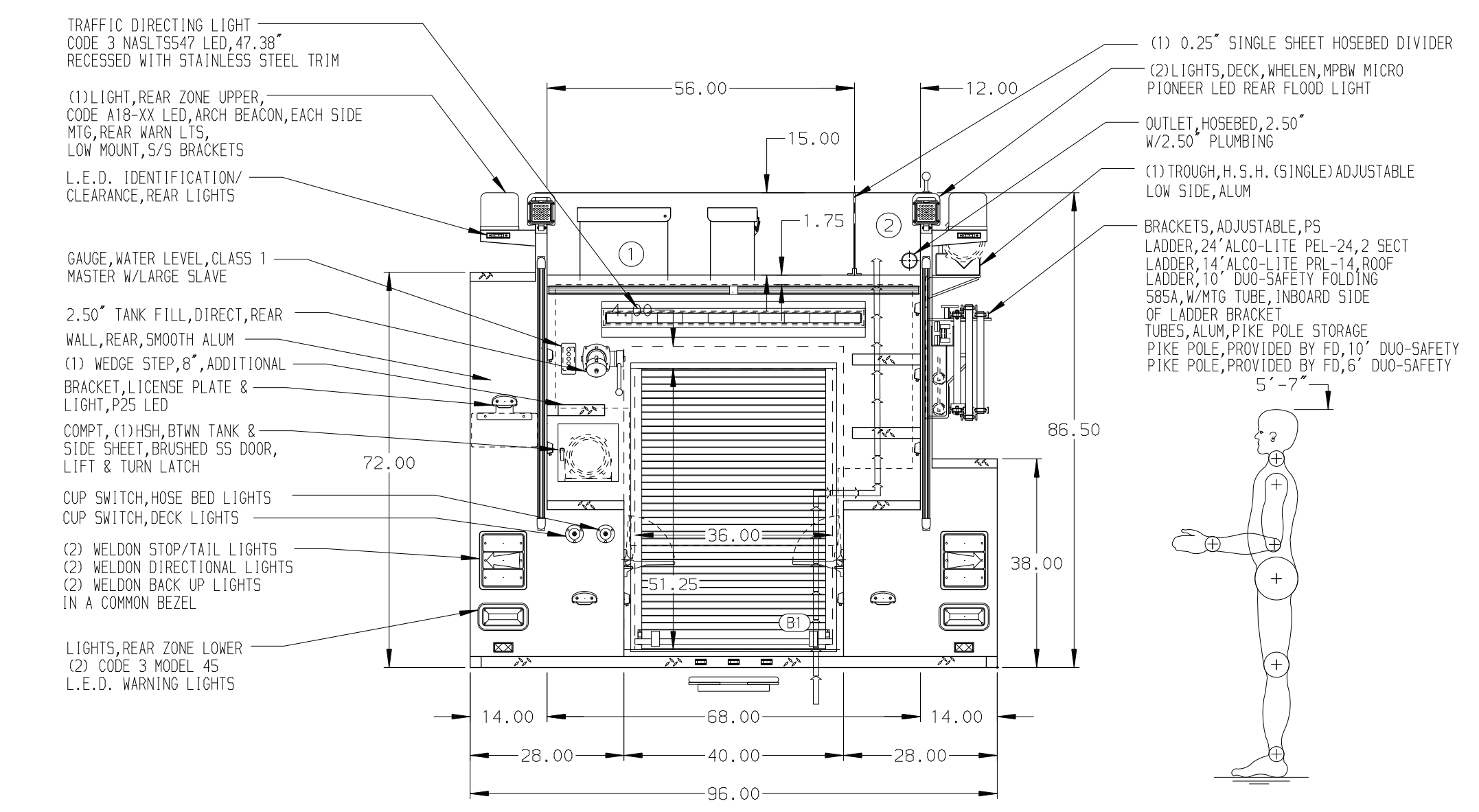
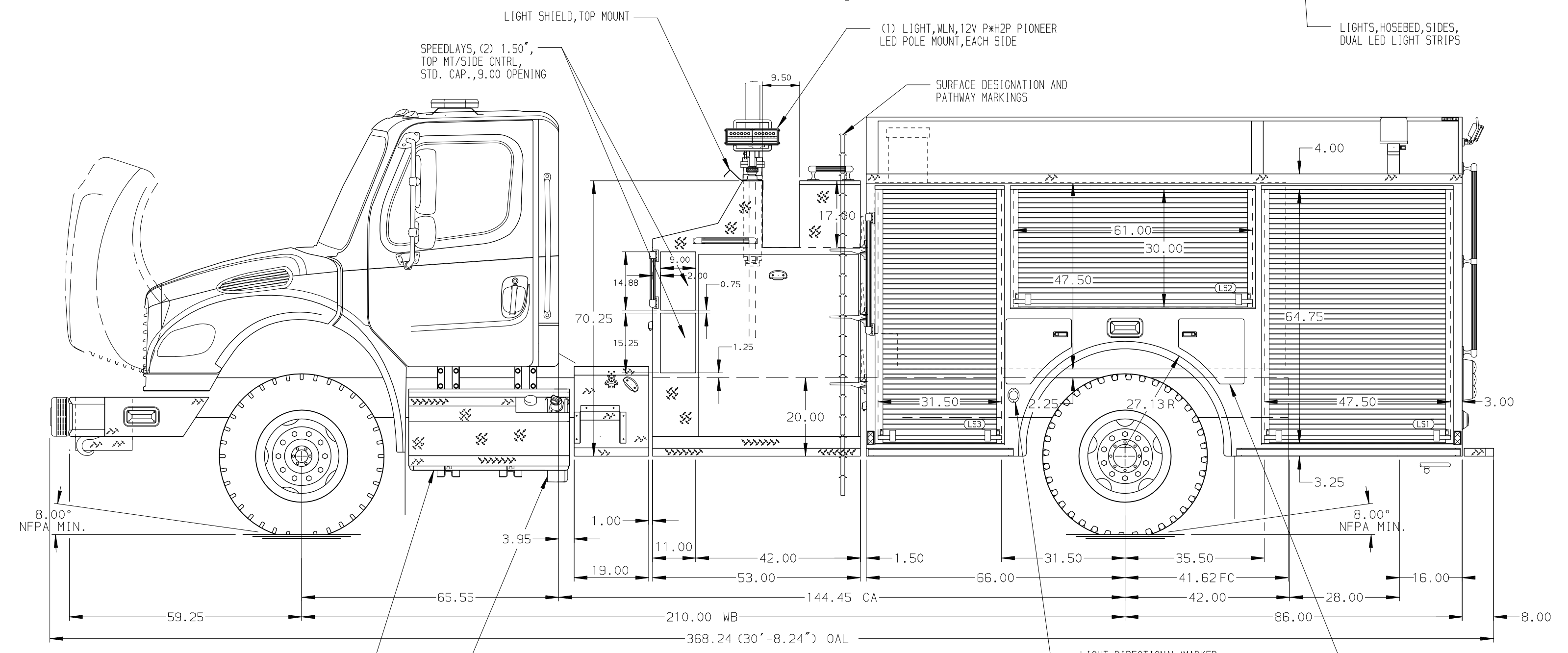


- HOSEBED CAPACITIES
- ① 1200' OF 5.00" D.J. POLYESTER HOSE
 - ② 400' OF 3.00" D.J. POLYESTER HOSE



ALUMINUM BODY

NOTE
DIMENSIONS SHOWN ARE APPROXIMATE AND ARE SUBJECT TO MINOR DEVIATIONS AS MAY OCCUR OR BE NECESSARY IN CONSTRUCTION. MINOR DETAILS NOT SHOWN.

FUEL TANK, 50 GALLON, LEFT SIDE, ALUM STEP PACKAGE, DELUXE, W/DEF TANK COVER, ALUM 4-WAY, M2, 2DR
DEF TANK, LEFT SIDE

		JOB NO.	34455
		SCALE	DATE
MANUFACTURING INC. BRADENTON, FLORIDA		1:24	
TITLE	1500-D-970 POLY 30 FOAM 152" BODY DS FULL HGT PS LOW 42" TOP MOUNT, (1) 2.50 CROSSLAY, (2) 1.50 SPEEDLAYS	DRAWN BY	RHU 22JAN20
FOR	ORANGEBURG COUNTY ORANGEBURG, SOUTH CAROLINA	CHECKED BY	RWI 23JAN20
DWG NO.	34455AD	SHEET SIZE	D SHEET NO. 1 OF 1

REV	DATE	BY	CH	CHASSIS DATA
21MAY20	JLA	RWI		MAKE
07APR20	JLA	RWI		FL
12FEB20	RHU	RWI		MODEL
				M2-106