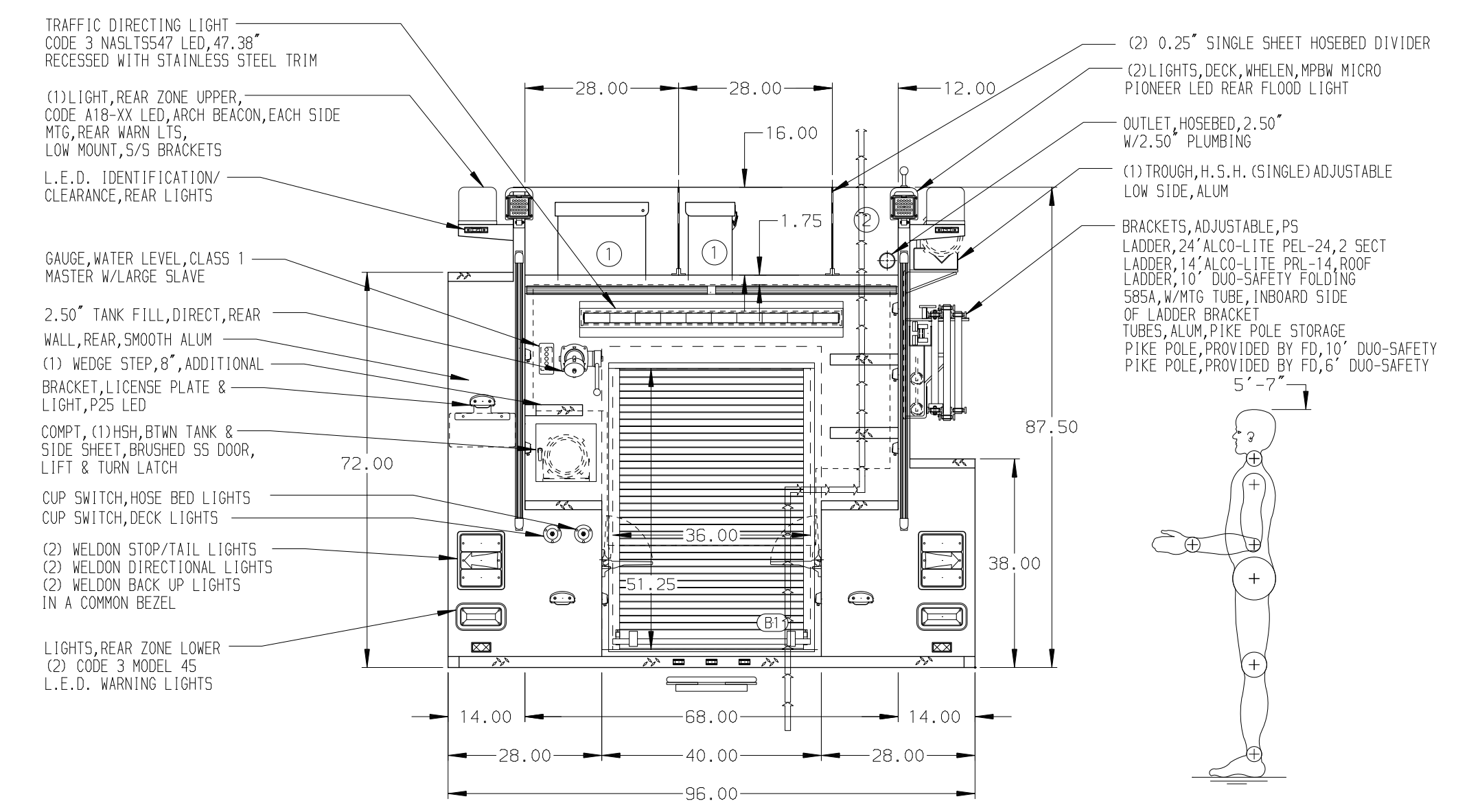
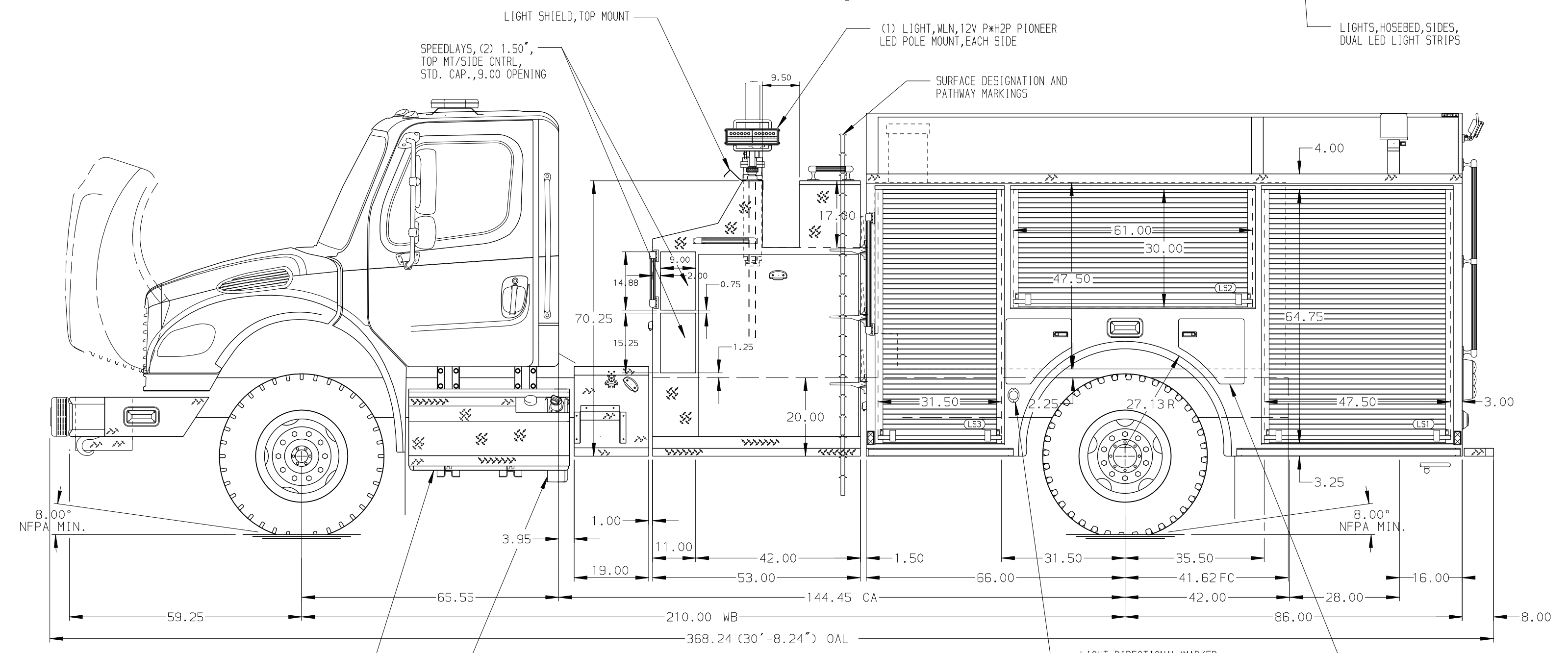


HOSEBED CAPACITIES

① 1200' OF 5.00" D.J. POLYESTER HOSE

② 400' OF 3.00" D.J. POLYESTER HOSE



ALUMINUM BODY

NOTE  
DIMENSIONS SHOWN ARE APPROXIMATE AND ARE SUBJECT TO MINOR DEVIATIONS AS MAY OCCUR OR BE NECESSARY IN CONSTRUCTION. MINOR DETAILS NOT SHOWN.

<p>Pierce MANUFACTURING INC. BRADENTON, FLORIDA</p>		JOB NO.	34436
		SCALE	DATE
<p>CHASSIS DATA</p> <p>TITLE 1500-D-970 POLY 30 FOAM 152" BODY DS FULL HGT PS LOW 42" TOP MOUNT, (1) 2.50 CROSSLAY, (2) 1.50 SPEEDLAYS</p> <p>FOR CANAAN FIRE DEPARTMENT COPE, SOUTH CAROLINA</p>		DRAWN BY	21JAN20
		CHECKED BY	23JAN20
<p>REV DATE BY CH</p> <p>13MAY20 RHU RW1</p> <p>07APR20 JLA RW1</p> <p>07FEB20 RHU RW1</p>		SHEET SIZE	SHEET NO.
<p>M2-106</p>		DWG NO.	1 OF 1
		<p>34436AD</p>	