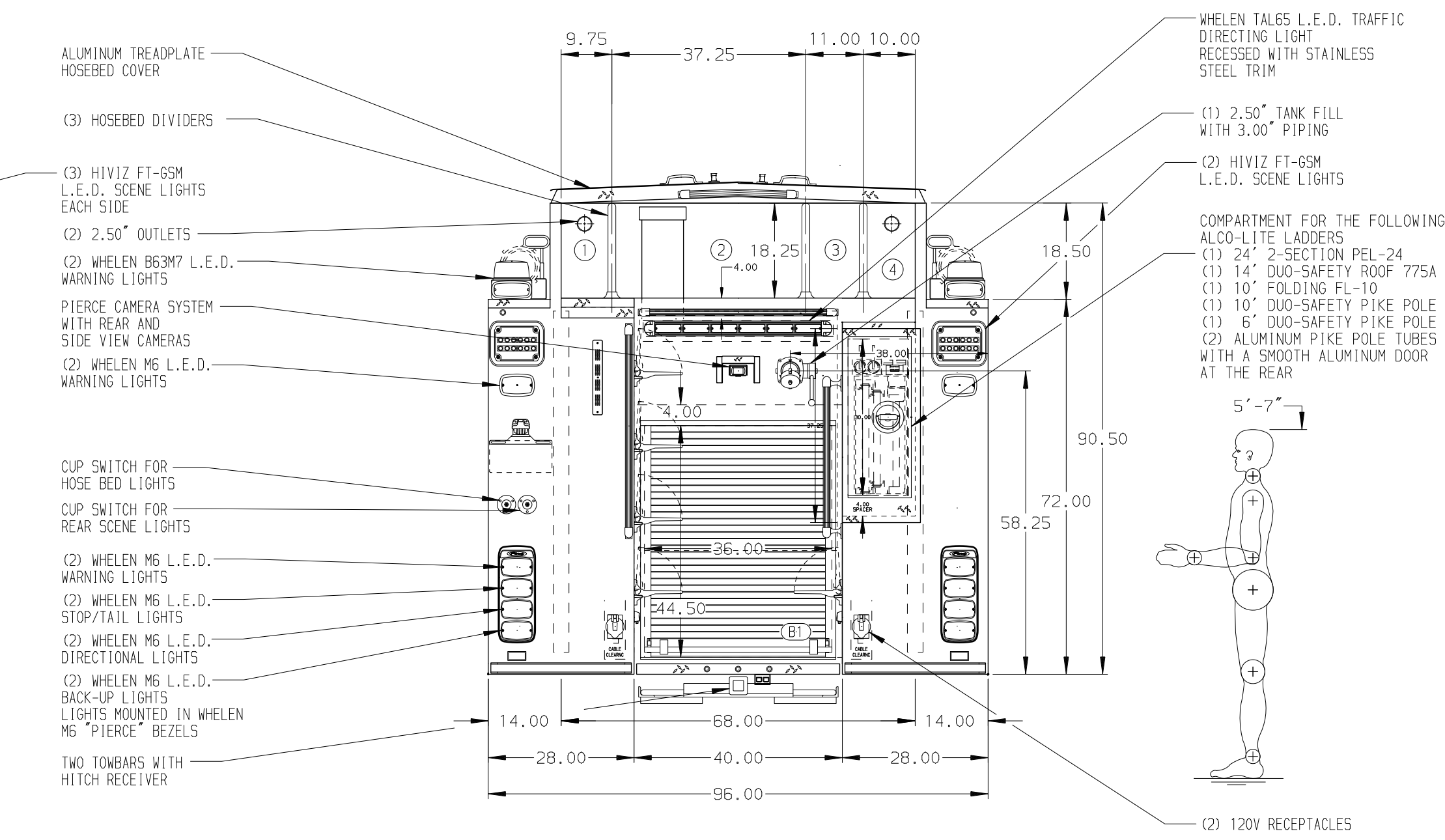
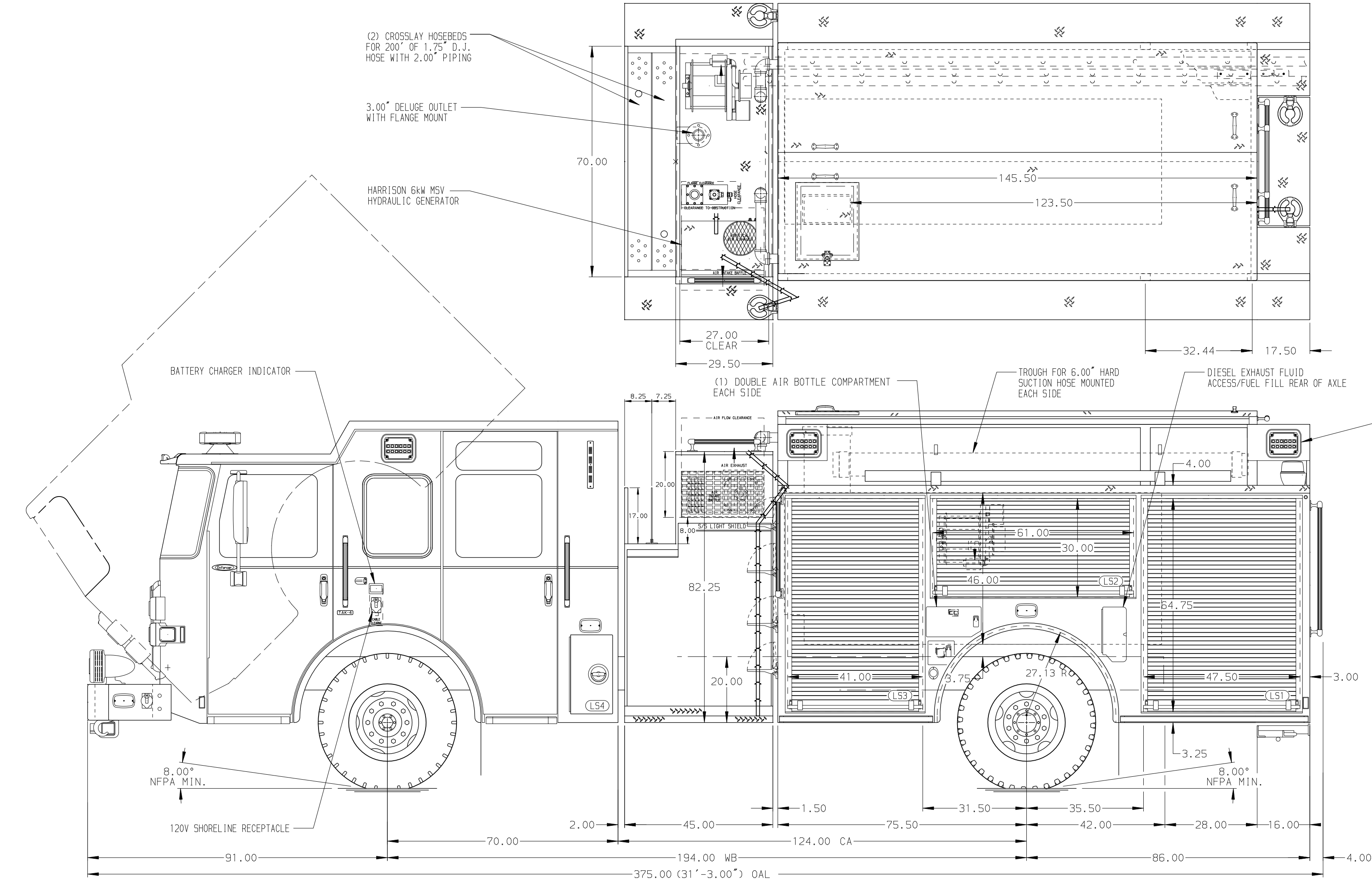


- HOSEBED CAPACITIES**
- ① 300' OF 2.50" D.J. POLY HOSE
 - ② 1200' OF 4.00" L.D. HOSE
 - ③ 500' OF 2.50" D.J. POLY HOSE
 - ④ 300' OF 2.50" D.J. POLY HOSE



ALUMINUM BODY

SIDE ROLL AND FRONTAL IMPACT PROTECTION

NOTE
 DIMENSIONS SHOWN ARE APPROXIMATE AND ARE SUBJECT TO MINOR DEVIATIONS AS MAY OCCUR OR BE NECESSARY IN CONSTRUCTION. MINOR DETAILS NOT SHOWN.

1. BATTERY CHARGER LOCATED BEHIND DRIVER'S SEAT
2. DUAL L.E.D. LIGHT STRIPS LOCATED IN HOSE BED
3. DRIP PAN GUARD FOR ROLL-UP DOOR LOCATED IN COMPARTMENTS LS1,LS2,LS3,RS1,RS32,RS3,B1
4. ONE FULL WIDTH/DEPTH ADJUSTABLE SHELF IN COMPARTMENT B1,TWO IN LS1,LS3,THREE IN RS1,RS3
5. ONE FLOOR MOUNTED SLIDE-OUT TRAY IN COMPARTMENT LS1
6. SLIDE-OUT TOOL BOARD WITH PEGBOARD PATTERN IN COMPARTMENT LS3
7. ONE VERTICAL PARTITION (SPECIAL HEIGHT) IN COMPARTMENT LS3
8. THREE AIR BOTTLE HOLDERS IN COMPARTMENT RS2
9. CIRCUIT BREAKER PANEL IN COMPARTMENT LS3
10. ONE HANNAY ELECTRIC REMIND CORD REEL MODEL 1618-17-18 LOCATED IN COMPARTMENT LS2 AND IN PUMP HOUSE CARGO AREA

REV	DATE	BY	CH	ENFORCER
20JAN20	JWO	PJP		PIERCE
17DEC19	JWO	PJP		MODEL

		JOB NO.	34428
		SCALE	DATE
TITLE	1500-D-750P, 161", FULL HEIGHT, FULL DEPTH D.S. (2) X-LAYS, DELUGE, GENERATOR, CABLE REELS	DRAWN BY	JWO 240CT19
FOR	WEST BUNCOMBE FIRE DEPARTMENT ASHEVILLE, NORTH CAROLINA	CHECKED BY	CDU 280CT19
DWG NO.	34428AD	SHEET SIZE	D SHEET NO. 1 OF 1