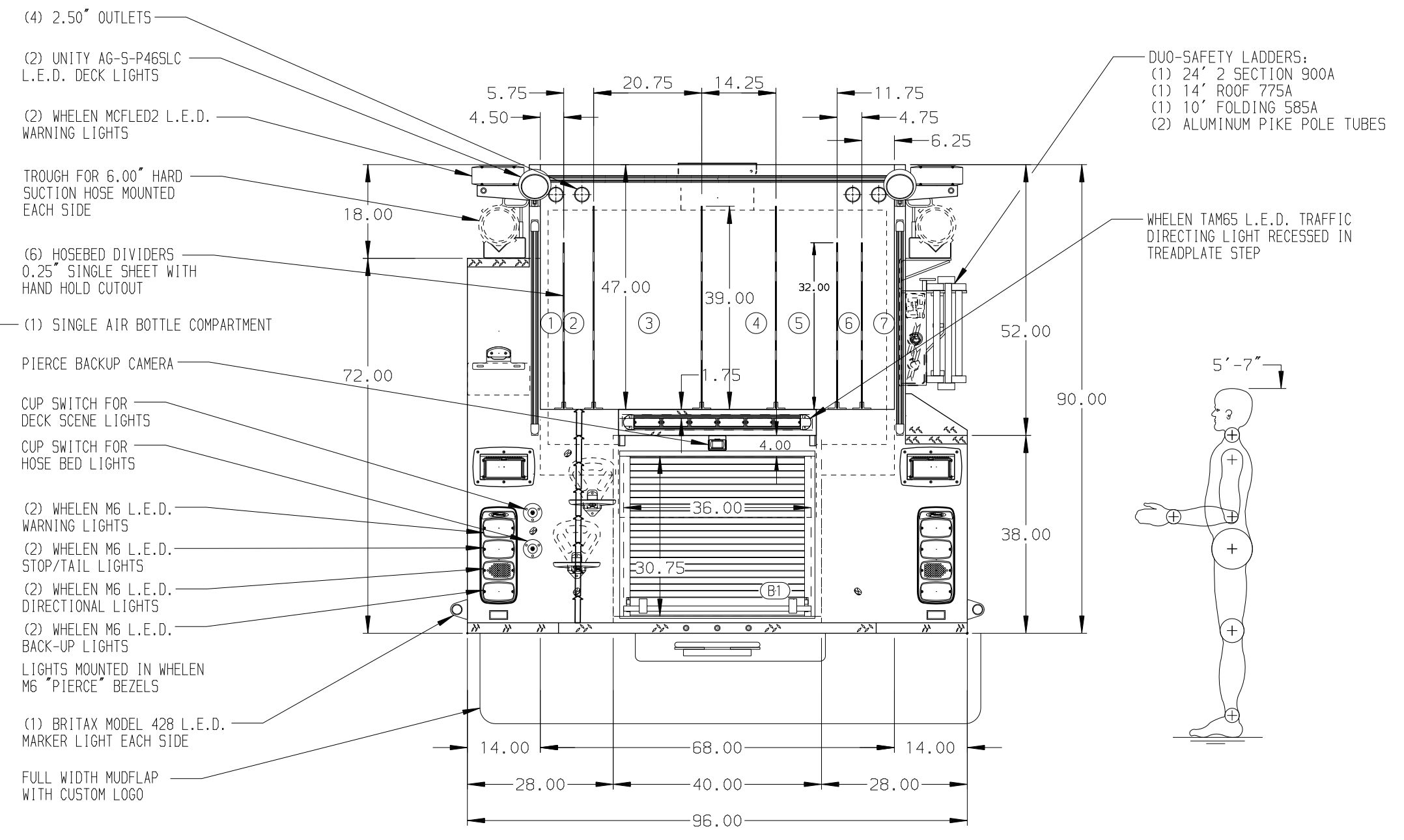
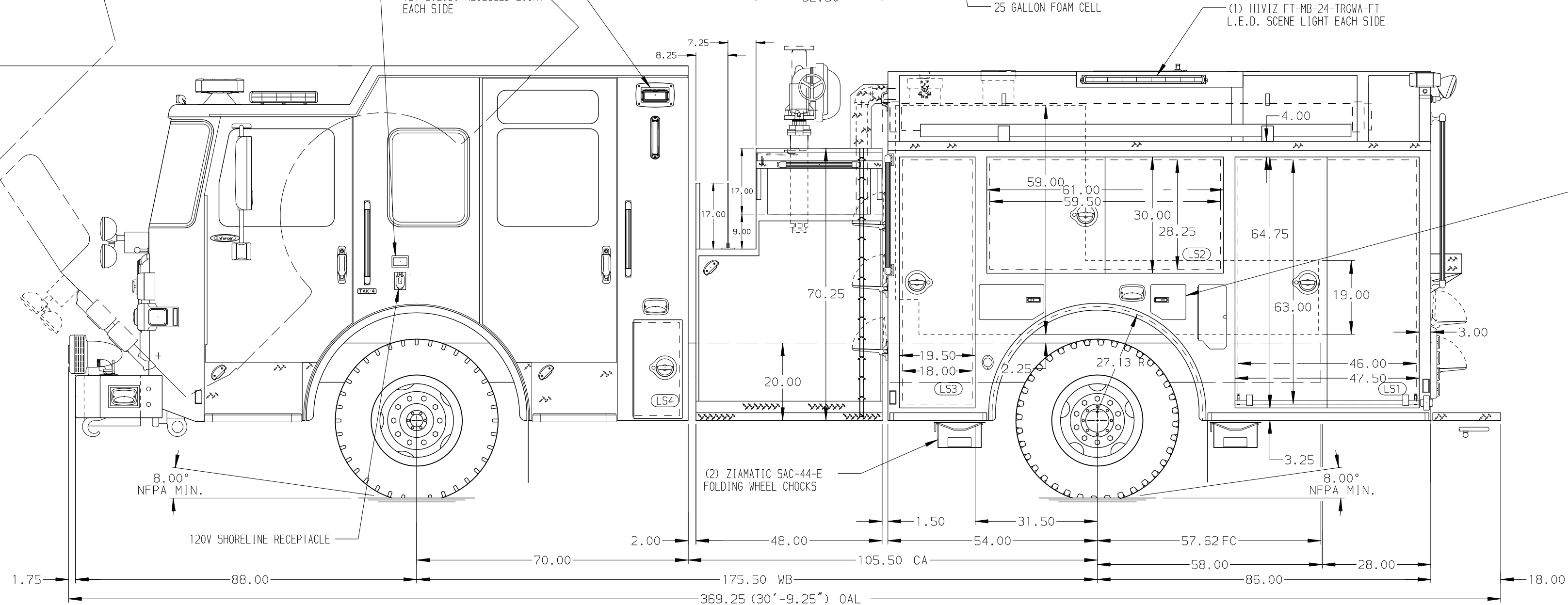


- HOSEBED CAPACITIES**
- ① - 300' OF 1.75\"/>



ALUMINUM BODY

MAXIMUM O.A.H. 115.00"

SIDE ROLL AND FRONTAL IMPACT PROTECTION

NOTE
DIMENSIONS SHOWN ARE APPROXIMATE AND ARE SUBJECT TO MINOR DEVIATIONS AS MAY OCCUR OR BE NECESSARY IN CONSTRUCTION. MINOR DETAILS NOT SHOWN.

- 1. AIR INLET/OUTLET W/DISCONNECT FITTING LOCATED ON DRIVER'S SIDE PUMP PANEL
- 2. L.E.D. DUAL LIGHT STRIPS LOCATED IN HOSE BED PER SHOP ORDER
- 3. ONE FULL WIDTH/DEPTH ADJUSTABLE SHELF IN COMPARTMENTS LS3,RS1,RS2
- 4. ONE FULL WIDTH/DEPTH FIXED SHELF LOCATED IN COMPARTMENT B1
- 5. ONE FIXED VERTICAL PARTITION LOCATED IN COMPARTMENT B1
- 6. ALUMINUM PEGBOARD ON THE BACK WALL OF COMPARTMENT LS1,LS2,LS3

REV	DATE	BY	CH	ENFORCER
28MAY20	JWO	CW1		
23MAR20	JWO	CW1		
24FEB20	JWO	CW1		
06DEC19	CDU	NPE		

		JOB NO.	34426
		SCALE	DATE
TITLE	1500-D-750G WATER, 25G FOAM, 140" FH/LOW FDLER BODY LADDER BRACKETS, (2) CROSSLAYS, DELUGE	DRAWN BY	JWO
FOR	CABIN JOHN PARK VOLUNTEER FIRE DEPARTMENT BETHESDA, MARYLAND	CHECKED BY	CDU
DWG NO.	34426AD	SHEET SIZE	SHEET NO.
		D	1 OF 1