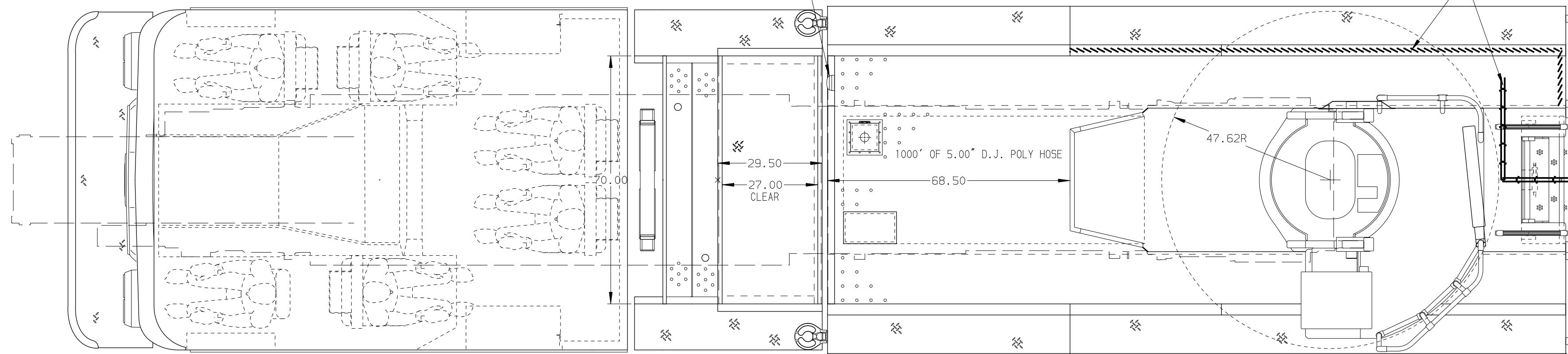


(3) SPECIAL DOUBLE AIR BOTTLE COMPARTMENTS 14.00' W x 7.50' H x 26.00' D

(1) FRP L.E.D. FLOODLIGHT FOR DESIGNATED WALKWAY

SURFACE DESIGNATION AND PATHWAY MARKINGS



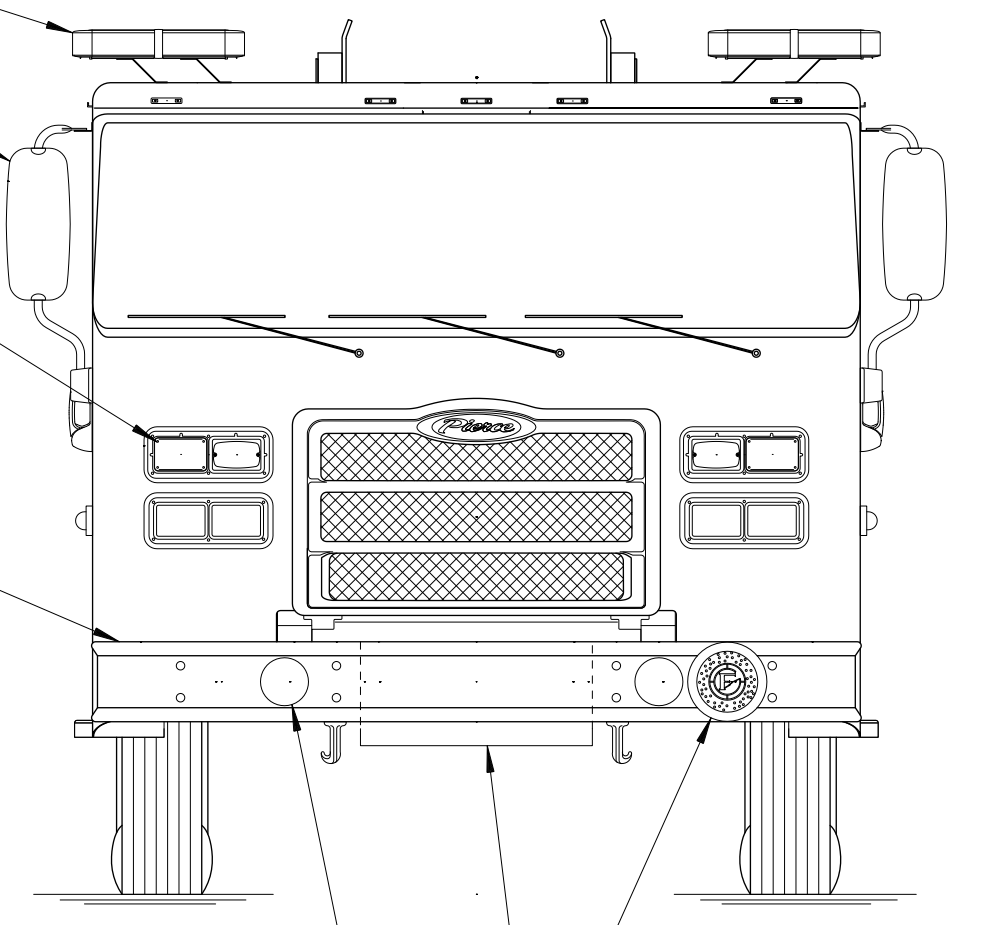
(2) WHELEN FREEDOM IV 21.50\"/>

RETRACT HEATED/REMOTE CONTROL MIRRORS WITH CONVEX SECTION

(1) WHELEN 600TAR L.E.D. DIRECTIONAL LIGHT AND (1) WHELEN M6 L.E.D. WARNING LIGHT IN A COMMON BEZEL EACH SIDE

MOUNTING PROVISIONS FOR FRONT INLET

(3) WHELEN M6 L.E.D. WARNING LIGHTS EACH SIDE

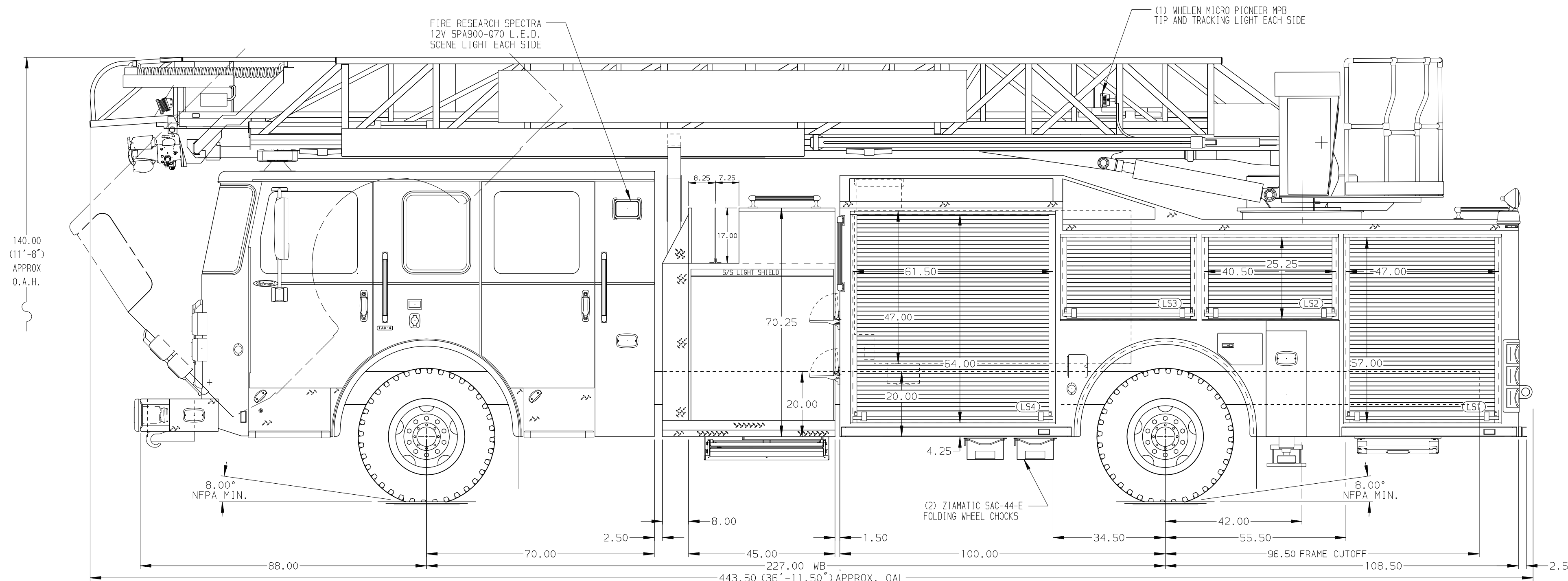


(2) GROVER AIR HORNS

(1) FEDERAL BP200-0 SPEAKER

CENTER HOSE TRAY FOR 125' OF 1.75\"/>

BODY	WATER TANK
75' HAL Aluminum Body	500 Gallon Poly Water Tank
COMPT, LEFT SIDE FRONT	Foam System
Full Height RollUp Forward	Plumbing for Future Husky Foam System
COMPT, LEFT SIDE REAR	Foam Cell
Full Height RollUp Rearward	20 Gallon Foam Cell, Non-Reduced Water
COMPT, RIGHT SIDE FRONT	
Full Height RollUp Forward	
COMPT, RIGHT SIDE REAR	
Full Height RollUp Rearward	



FIRE RESEARCH SPECTRA 12V SPA900-070 L.E.D. SCENE LIGHT EACH SIDE

(1) WHELEN MICRO PIONEER MP8 TIP AND TRACKING LIGHT EACH SIDE

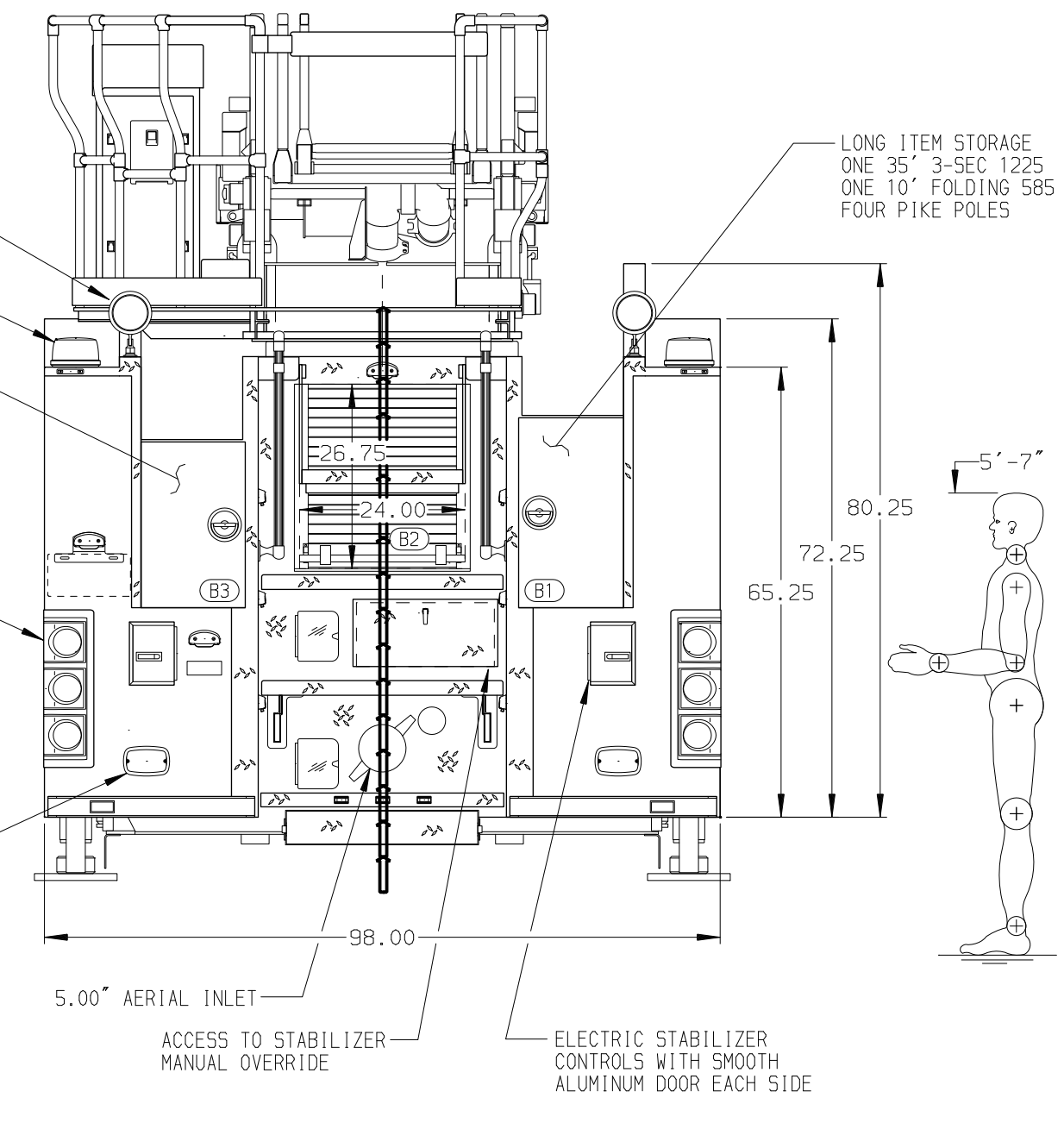
(2) UNITY A6 DECK LIGHTS

(2) WHELEN L31HRFN L.E.D. WARNING LIGHTS

LONG ITEM STORAGE ONE 24' 2-SEC 900 TWO 16' ROOF B75 TWO PIKE POLES

(2) WRAP AROUND L.E.D. LIGHT SETS WITH STOP/TAIL, BACK UP AND DIRECTIONAL LIGHTS IN A COMMON BEZEL

(2) WHELEN M6 L.E.D. WARNING LIGHTS



CHASSIS	CAB	AXLE, FRONT, CUSTOM	TRANSMISSION	PUMPHOUSE	CROSSLAYS, 1.50"	SPEEDLAYS	CUSTOMER APPROVAL		Pierce MANUFACTURING INC.		JOB NO.
Enforcer Chassis	7000 Enforcer Cab	19,500 Lb TAK-4 Axle	Allison 5th Gen, 3000 EV5 P	45" Control Zone Side Mount	(2) 1.50" Standard Capacity	Speedlays Not Required	APPROVED BY:		75 AERIAL LADDER & BODY ASSEMBLY	TKA	34400
ENGINE	BUMPER	AXLE, REAR		PUMP	CROSSLAYS, 2.50"	GENERATOR	DATE:				SCALE
400 HP Cummins L9 Engine	19" Extended Stainless Steel	33,500 Lb Meritor Axle		1500 GPM Waterous CSU	2.50" Crosslay Not Required	Generator Not Required			1:24		
<p>NOTE: DIMENSIONS SHOWN ARE APPROXIMATE AND ARE SUBJECT TO MINOR DEVIATIONS AS MAY OCCUR OR BE NECESSARY IN CONSTRUCTION. MINOR DETAILS NOT SHOWN.</p> <p>1. ONE 1.50" OUTLET WITH 2.00" PIPING AND SWIVEL LOCATED IN CENTER BUMPER TRAY            2. SHORELINE RECEPTACLE WITH KUSSMALL SUPER AUTO-EJECT LOCATED ON DRIVER SIDE OF THE CAB            3. AIR INLET WITH DISCONNECT COUPLING IN THE DRIVER SIDE STEPWELL            4. BATTERY CHARGER LOCATED IN COMPARTMENT PER SHOP ORDER            5. BATTERY CHARGE INDICATOR LOCATED ON DRIVER SIDE OF THE CAB            6. FOUR ADJUSTABLE SHELVES IN COMPARTMENTS PER SHOP ORDER            7. 7.00" AERIAL LIMITED RETRACTION            8. 1.50" RAISED AERIAL PEDESTAL            9. 1500 GPM HIGH FLOW WATERWAY            10. TRIDENT FOLDING STEPS ON AERIAL DEVICE</p>											
								CHASSIS DATA	TITLE	DRAWN BY	
								MAKE	FOR	TKA	
								PIERCE	PIERCE FIELD UNIT	180CT19	
								MODEL	APPLETON, WI	CHECKED BY	
								ENFORCER	DWG NO.	DST	
								REV	34400AD	180CT19	
								DATE	D	SHEET NO.	
								BY	1	1 OF 1	
								CH			