

PUMPER BODY

Long Aluminum 2nd Gen Pumper

CHASSIS

Sober FR Chassis

CHASSIS AXLE, FRONT, CUSTOM

20,000 Lb Dana Axle

AXLE, REAR

31,000 Lb Dana Axle

ENGINE

450 HP Cummins L9 Engine

TRANSMISSION

Allison 5th Gen, 3000 EVS P

BUMPER

19" Extended Stainless Steel

CAB

7010 Sober FR Cab

BODY WATER TANK

1000 Gallon Poly Water Tank

COMPT, PUMPER, REAR

44.50" FF RollUp Rear Compt

COMPT, PUMPER, LEFT SIDE

161" RollUp Full Height Front & Rear FDLR

COMPT, PUMPER, RIGHT SIDE

161" RollUp Low FDLR

FIRE SUPPRESSION PUMPHOUSE

52" Control Zone Top Mount

PUMP

1500 GPM Waterous CMU

CROSSLAYS, 1.50"

1.50" Crosslays Not Required

CROSSLAYS, 2.50"

2.50" Crosslay Not Required

SPEEDLAYS

(2) 1.50" W/Tray Std. Capacity

GENERATOR

Generator Not Required

Foam System

Husky 3 Single Agent Foam System

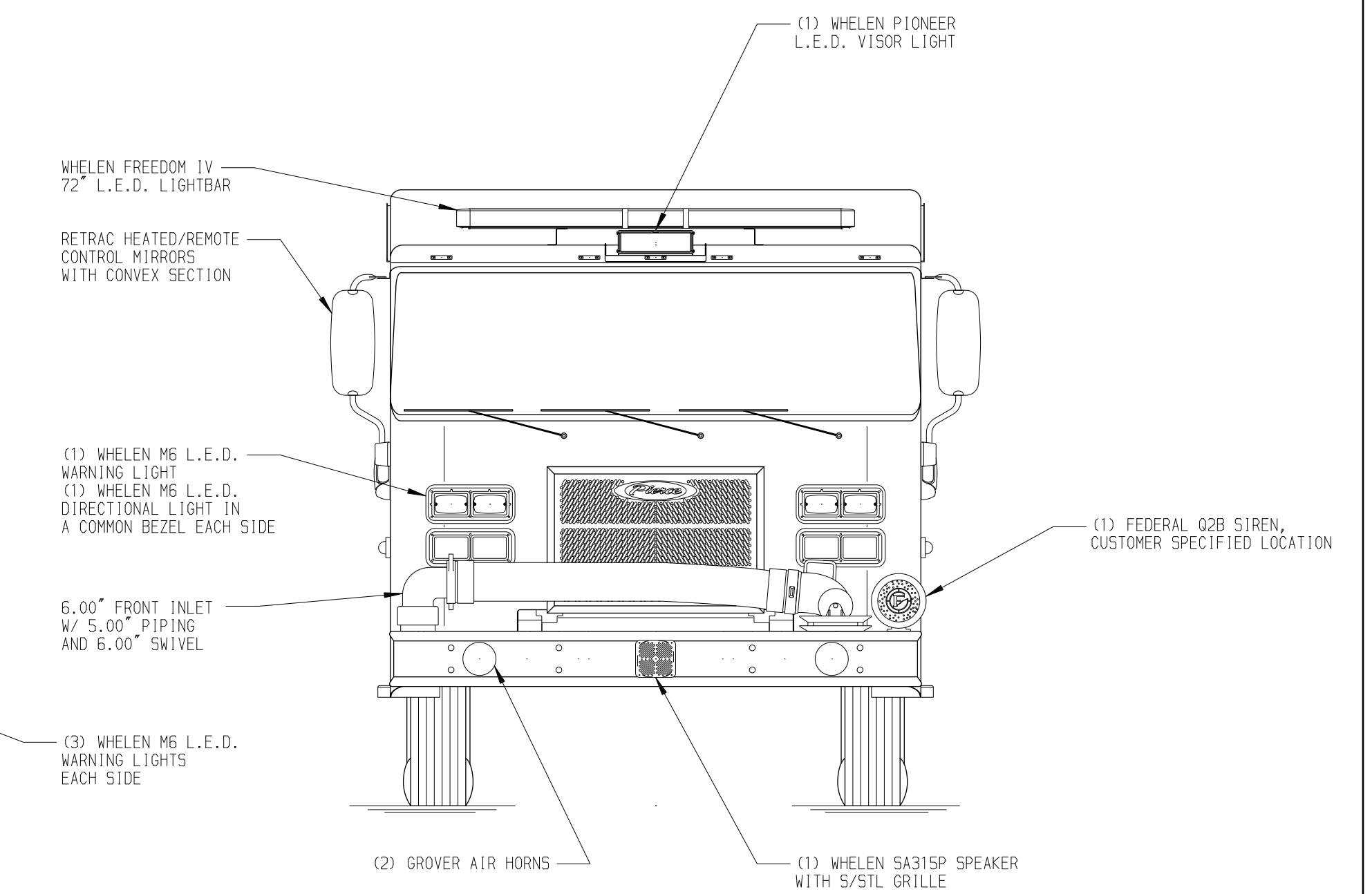
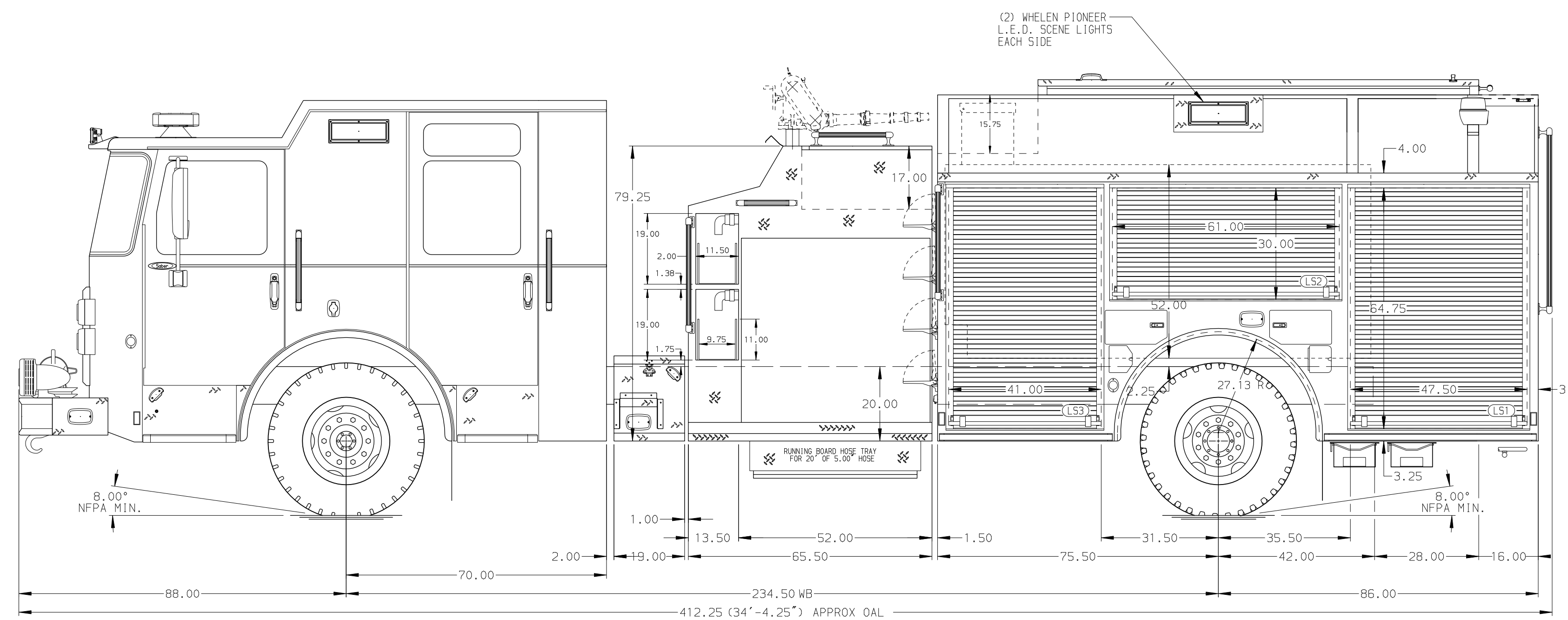
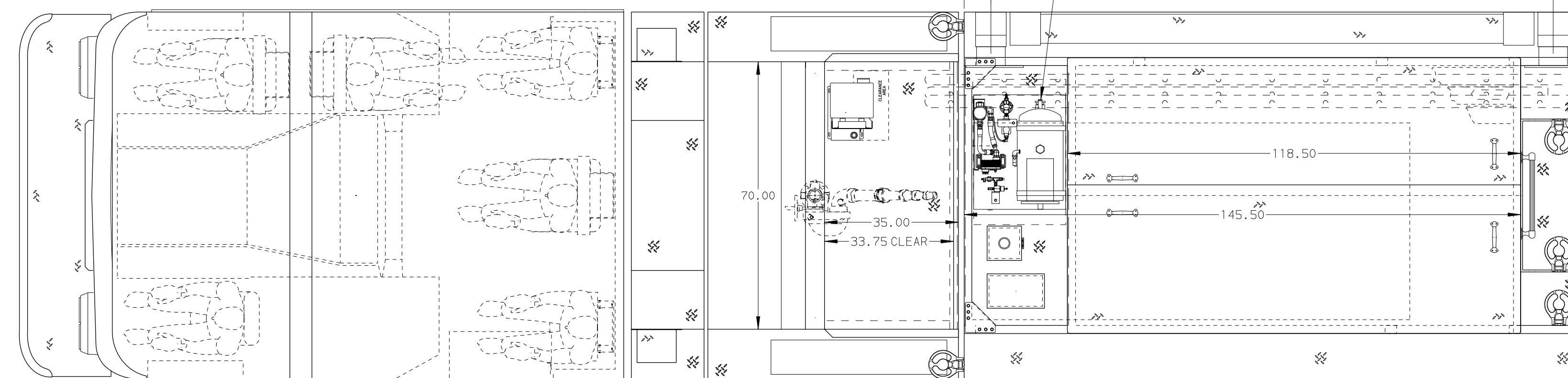
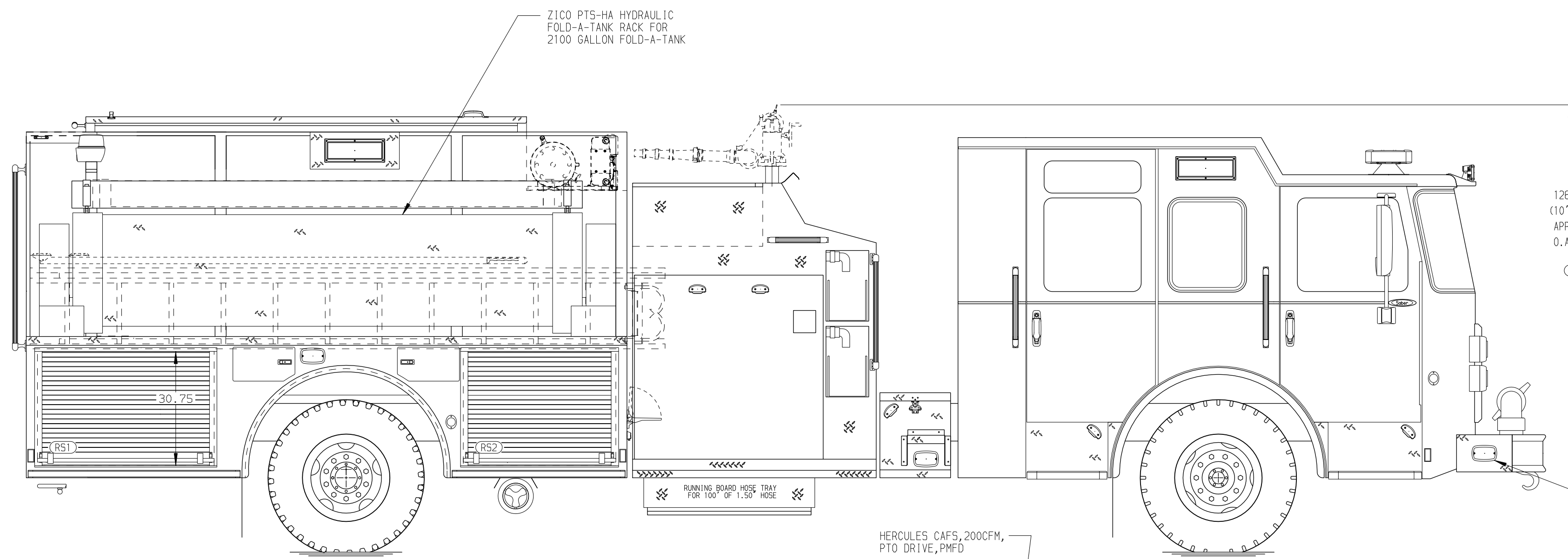
Foam Cell

20 Gallon Foam Cell, Not Reduced Water

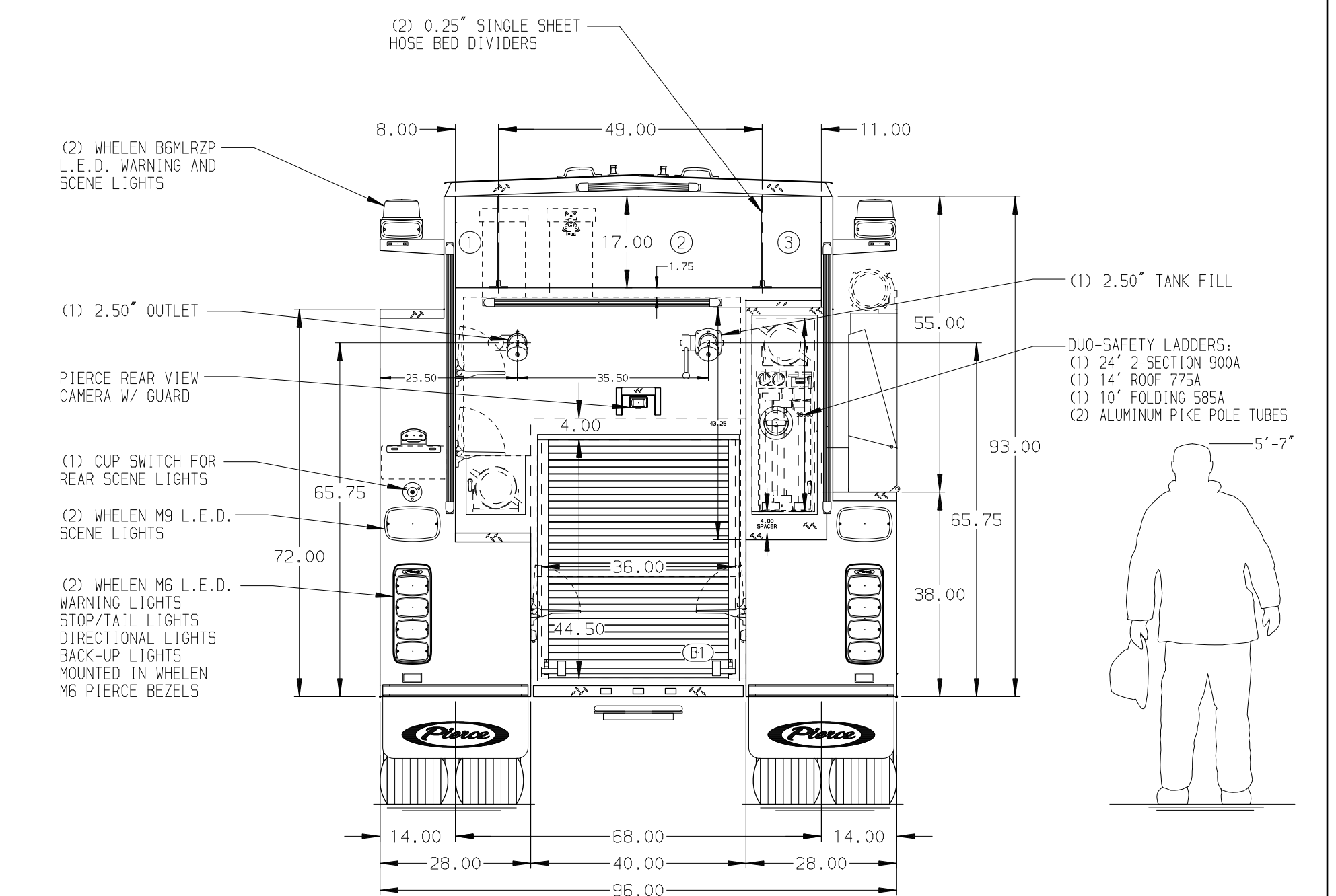
Side Roll and Frontal Impact Protection

NOTE

DIMENSIONS SHOWN ARE APPROXIMATE AND ARE SUBJECT TO MINOR DEVIATIONS AS MAY OCCUR OR BE NECESSARY IN CONSTRUCTION. MINOR DETAILS NOT SHOWN.



HOSEBED CAPACITY	
BED 1	300' OF 1.75" D.J. POLY HOSE
BED 2	1200' OF 4.00" D.J. POLY HOSE
BED 3	300' OF 2.50" D.J. POLY HOSE



Pierce MANUFACTURING INC.		JOB NO.	34381
		SCALE	DATE
		1:24	
TITLE		DRAWN BY	070CT19
1500-D-1000P, 20G FOAM, 161" BODY, LS FL HGT FRT&RR FDLR, RS LOW FDLR, 52" TP MNT W/19" WALKWAY, (2) 1.5" SPEEDLAYS		CHECKED BY	080CT19
FOR		LITCHFIELD FIRE DEPARTMENT	
LITCHFIELD, MAINE		SHEET SIZE	SHEET NO.
DWG NO.		D	1 OF 1
34381AD			

REV	DATE	BY	CH	PIERCE MODEL
27DEC19	CRH	DDR		PIERCE
28OCT19	JLA	AJA		MODEL