

**RIGHT SIDE COMPARTMENTS CONTAIN THE FOLLOWING:**

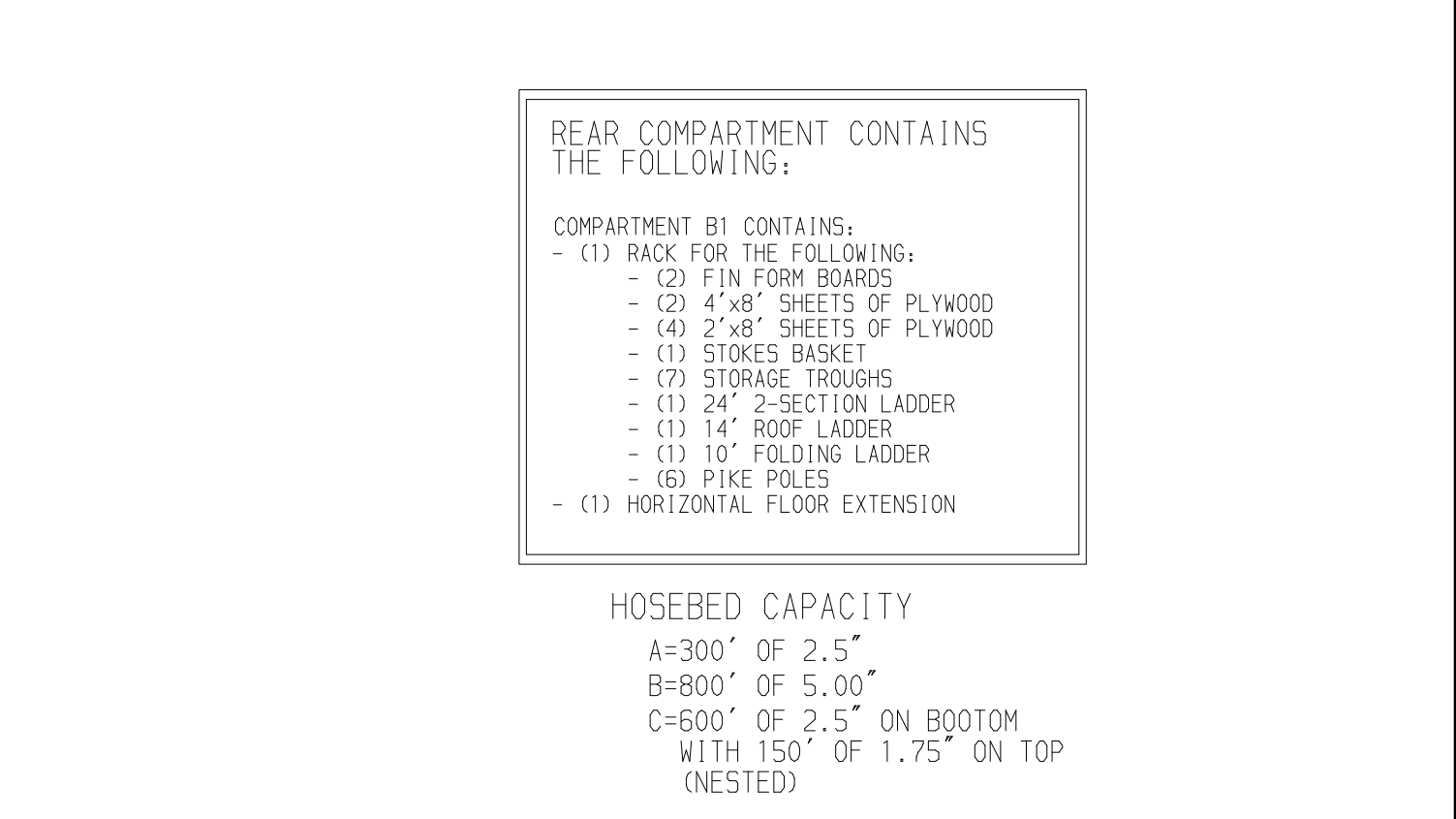
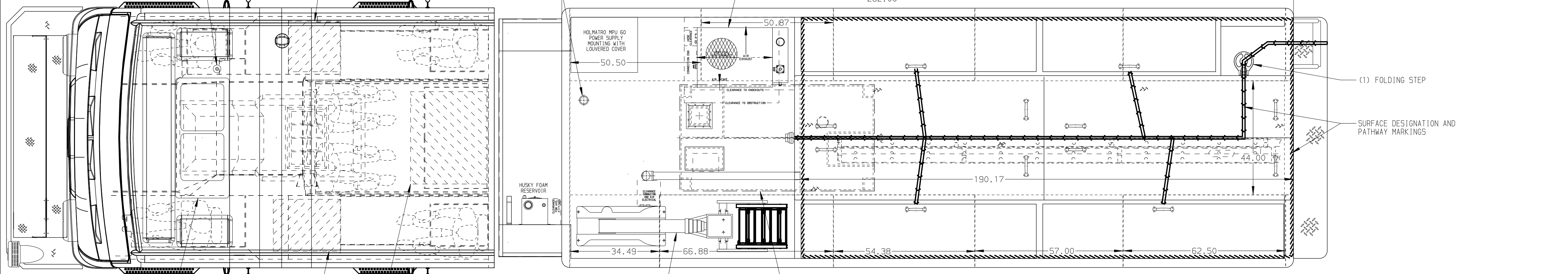
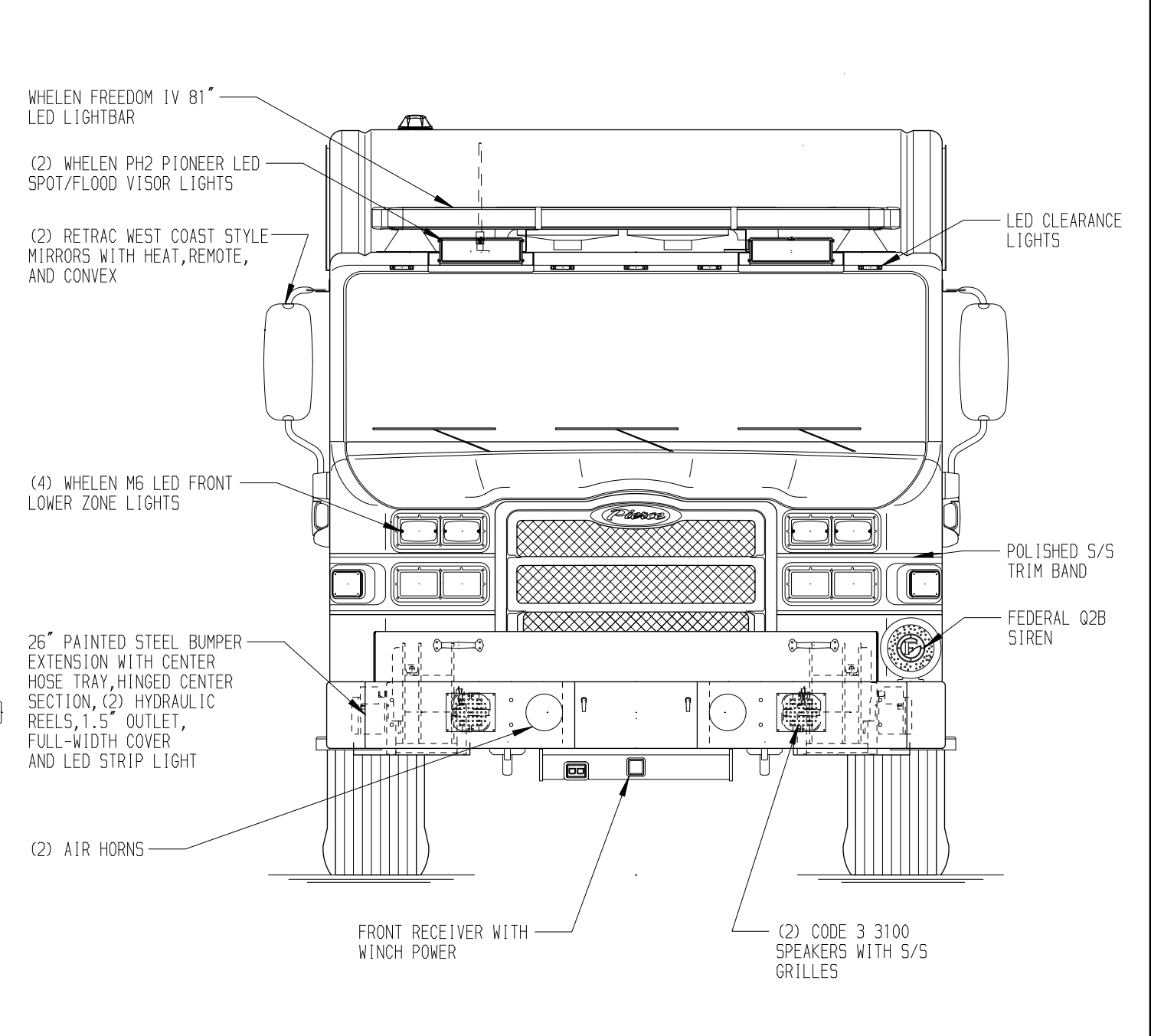
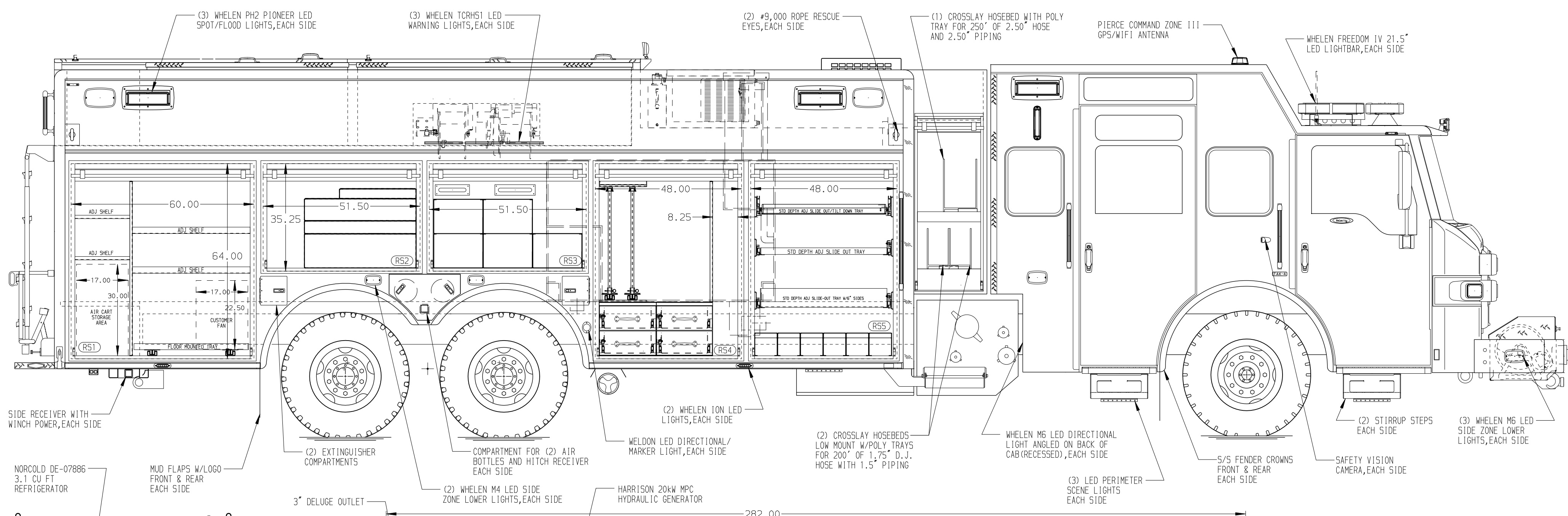
**COMPARTMENT R51 CONTAINS:**  
 - (1) VERTICAL COMPARTMENT DIVIDER  
 - (2) STD DEPTH ADJ SHELVES W/1" LIPS  
 - (2) STD DEPTH ADJ SHELVES  
 - (1) STD DEPTH FLOOR MOUNTED TRAY

**COMPARTMENT R52 CONTAINS:**  
 - (1) RACK FOR AIR BAGS

**COMPARTMENT R53 CONTAINS:**  
 - (1) 5-SLOT EQUIPMENT STORAGE RACK  
 - (1) ELECTRIC CABLE REEL WITH 200' OF 10/3 YELLOW CORD  
 - (1) LOW PRESSURE AIR REEL WITH 200' OF HOSE

**COMPARTMENT R54 CONTAINS:**  
 - (2) 2-DRAWER TOOL CABINETS  
 - (1) VERTICAL COMPARTMENT DIVIDER  
 - (2) STD DEPTH ADJ SLIDE OUT TOOLBOARDS

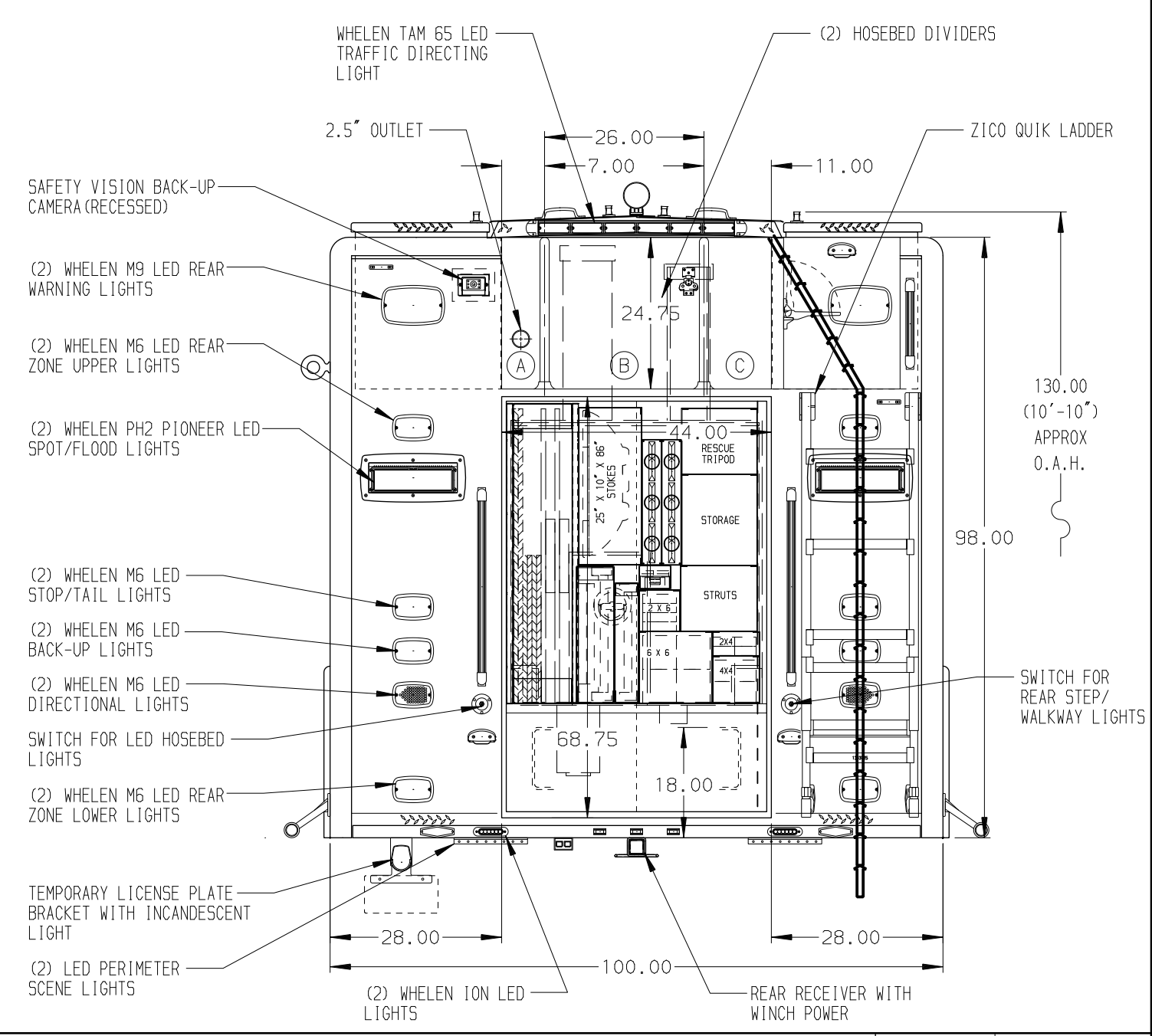
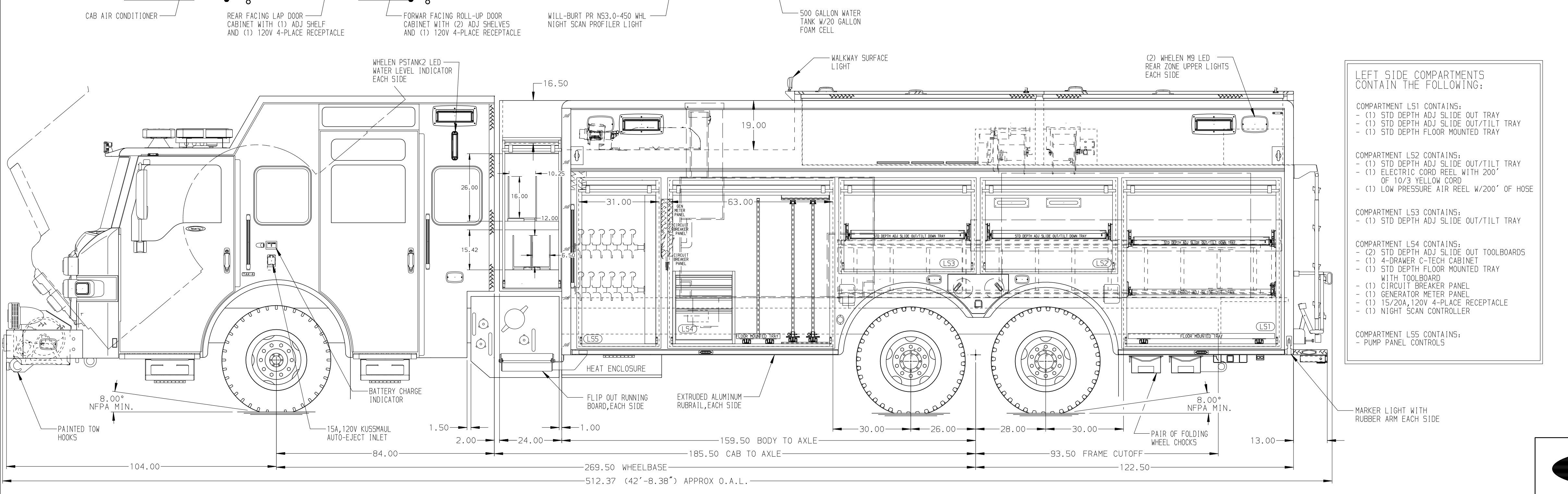
**COMPARTMENT R55 CONTAINS:**  
 - (1) RACK FOR 6 SCBA BOTTLES (7.25" SQUARE)  
 - (1) STD DEPTH ADJ SLIDE OUT TRAY  
 - (1) STD DEPTH ADJ SLIDE OUT TRAY (6" SIDES)  
 - (1) STD DEPTH ADJ SLIDE OUT/TILT TRAY



**REAR COMPARTMENT CONTAINS THE FOLLOWING:**

**COMPARTMENT B1 CONTAINS:**  
 - (1) RACK FOR THE FOLLOWING:  
 - (2) FIM FORM BOARDS  
 - (2) 4'x8' SHEETS OF PLYWOOD  
 - (4) 2'x8' SHEETS OF PLYWOOD  
 - (1) STOKES BASKET  
 - (2) STORAGE TROUGHS  
 - (1) 24" 2-SECTION LADDER  
 - (1) 14" ROOF LADDER  
 - (1) 10" FOLDING LADDER  
 - (6) PIKE POLES  
 - (1) HORIZONTAL FLOOR EXTENSION

**HOSEBED CAPACITY**  
 A=300' OF 2.5"  
 B=800' OF 5.00"  
 C=600' OF 2.5" ON BOATOM WITH 150' OF 1.75" ON TOP (NESTED)



**LEFT SIDE COMPARTMENTS CONTAIN THE FOLLOWING:**

**COMPARTMENT L51 CONTAINS:**  
 - (1) STD DEPTH ADJ SLIDE OUT TRAY  
 - (1) STD DEPTH ADJ SLIDE OUT/TILT TRAY  
 - (1) STD DEPTH FLOOR MOUNTED TRAY

**COMPARTMENT L52 CONTAINS:**  
 - (1) STD DEPTH ADJ SLIDE OUT/TILT TRAY  
 - (1) ELECTRIC CORD REEL WITH 200' OF 10/3 YELLOW CORD  
 - (1) LOW PRESSURE AIR REEL W/200' OF HOSE

**COMPARTMENT L53 CONTAINS:**  
 - (1) STD DEPTH ADJ SLIDE OUT/TILT TRAY

**COMPARTMENT L54 CONTAINS:**  
 - (2) STD DEPTH ADJ SLIDE OUT TOOLBOARDS  
 - (1) 4-DRAWER C-TECH CABINET  
 - (1) STD DEPTH FLOOR MOUNTED TRAY WITH TOOLBOARD  
 - (1) CIRCUIT BREAKER PANEL  
 - (1) GENERATOR METER PANEL  
 - (1) 15/20A, 120V 4-PLACE RECEPTACLE  
 - (1) NIGHT SCAN CONTROLLER

**COMPARTMENT L55 CONTAINS:**  
 - PUMP PANEL CONTROLS

**NOTE**  
 DIMENSIONS SHOWN ARE APPROXIMATE AND ARE SUBJECT TO MINOR DEVIATIONS AS MAY OCCUR OR BE NECESSARY IN CONSTRUCTION. MINOR DETAILS NOT SHOWN.

- NOTES:**
- AIR INLET WITH DISCONNECT COUPLING LOCATED ON DRIVER'S SIDE PUMP PANEL
  - ALUMINUM TREADPLATE SCUFFPLATES ON REAR CAB CORNERS
  - POLISHED 5/5 SCUFFPLATES ON CAB DOOR JAMBS
  - FLOOR IN CAB AND CREW CAB TO BE ALUMINUM TREADPLATE
  - FIRECOM INTERCOM SYSTEM
  - KUSMAUL PUMP PLUS 1200 CHARGER LOCATED BEHIND DRIVER'S SEAT
  - BRUSHED 5/5 ON FRONT BODY CORNERS
  - LED STRIP LIGHTS IN ALL BODY AND HATCH COMPARTMENTS
  - PIERCE 1500 GPM PUC STYLE WATER PUMP
  - HUSKY 12 SINGLE AGENT FOAM SYSTEM

CLEAR DOOR WIDTH KEY	
AMOR ROLL UP DOORS:	-2 1/4"
CORTITE ROLL UP DOORS:	-2 1/2"
PIERCE DOUBLE LIP DOORS:	-4 1/4"
PIERCE LIFT-UP LAP DOORS:	-1 1/2"

(EX: 60" F-F - 2 1/4" = 57 3/4" CLEAR)  
 (F-F) = FRAME TO FRAME

CHASSIS DATA	
TITLE	HEAVY DUTY RESCUE
FOR	RESCUE PUC W/500 GAL WATER TANK 20 GAL FOAM CELL
FOR	WEST COUNTY FIRE & EMS PROTECTION DISTRICT
FOR	MANCHESTER, MO
DWG NO.	34357AD

**Pierce MANUFACTURING INC.**

JOB NO. 34357

SCALE 1:24 DATE

DRAWN BY DHE 310CT19

CHECKED BY AZU 310CT19

DAN McDONNELL

SHEET SIZE D SHEET NO. 1 OF 1

(SIDE ROLL & FRONTAL IMPACT PROTECTION)