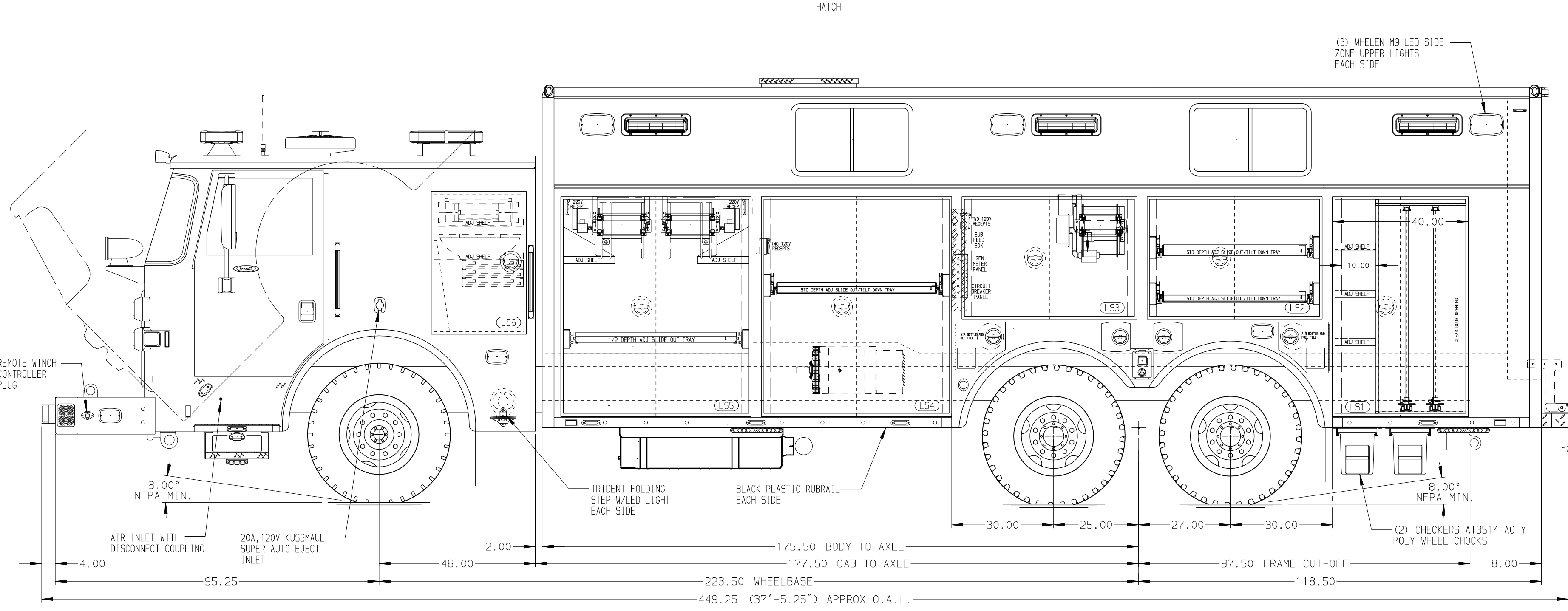
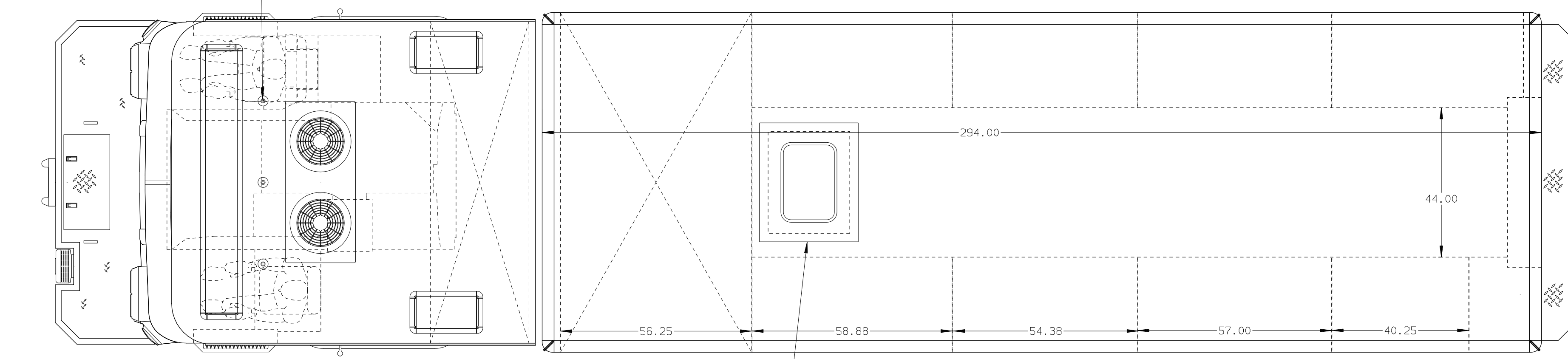
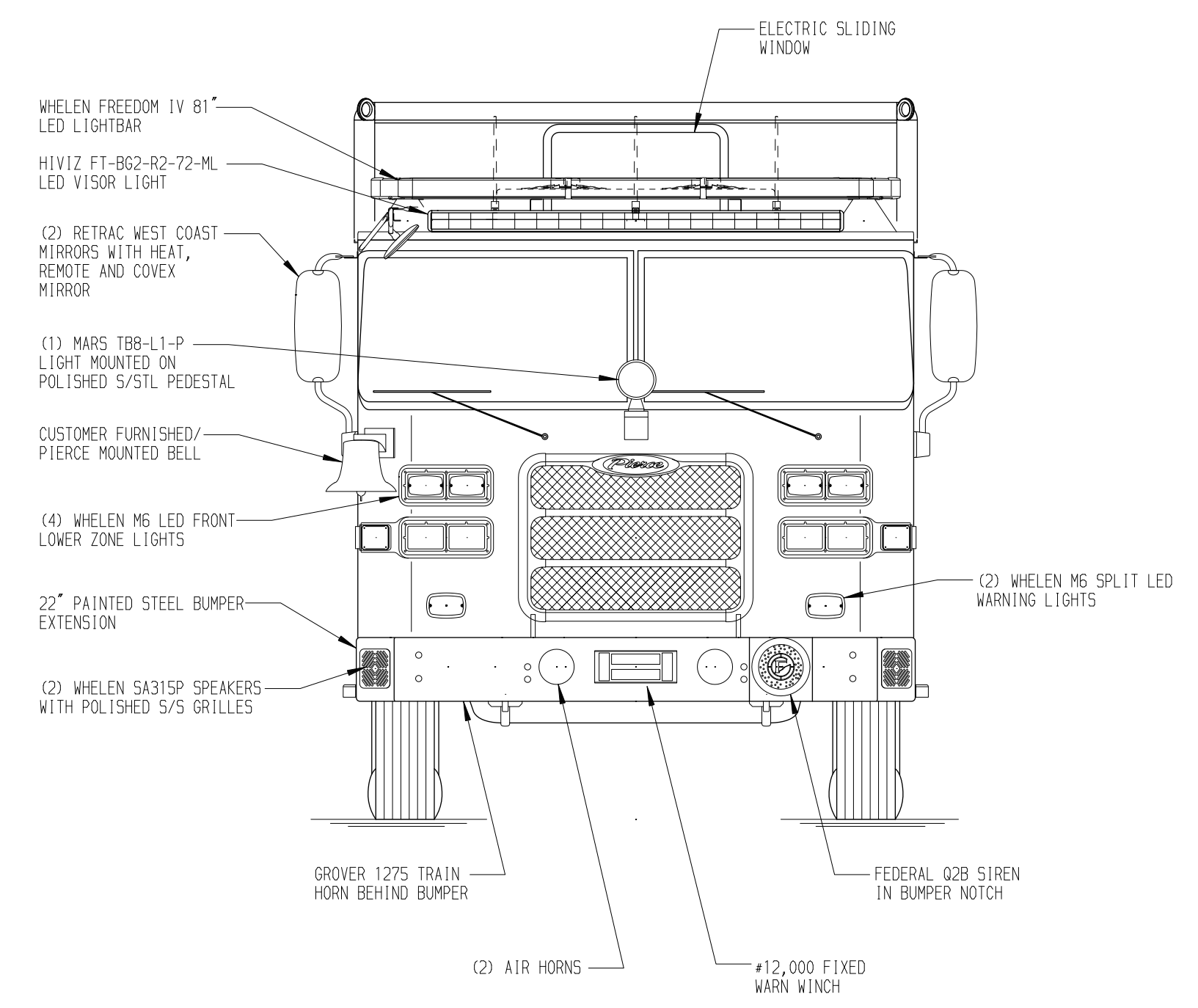
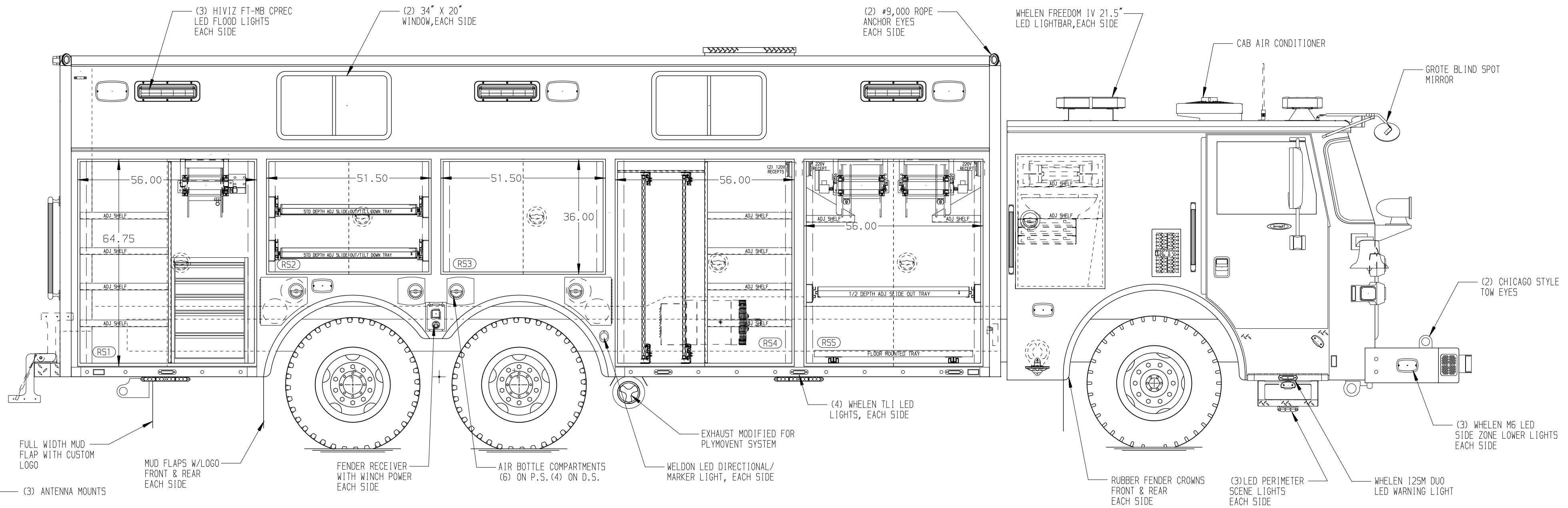


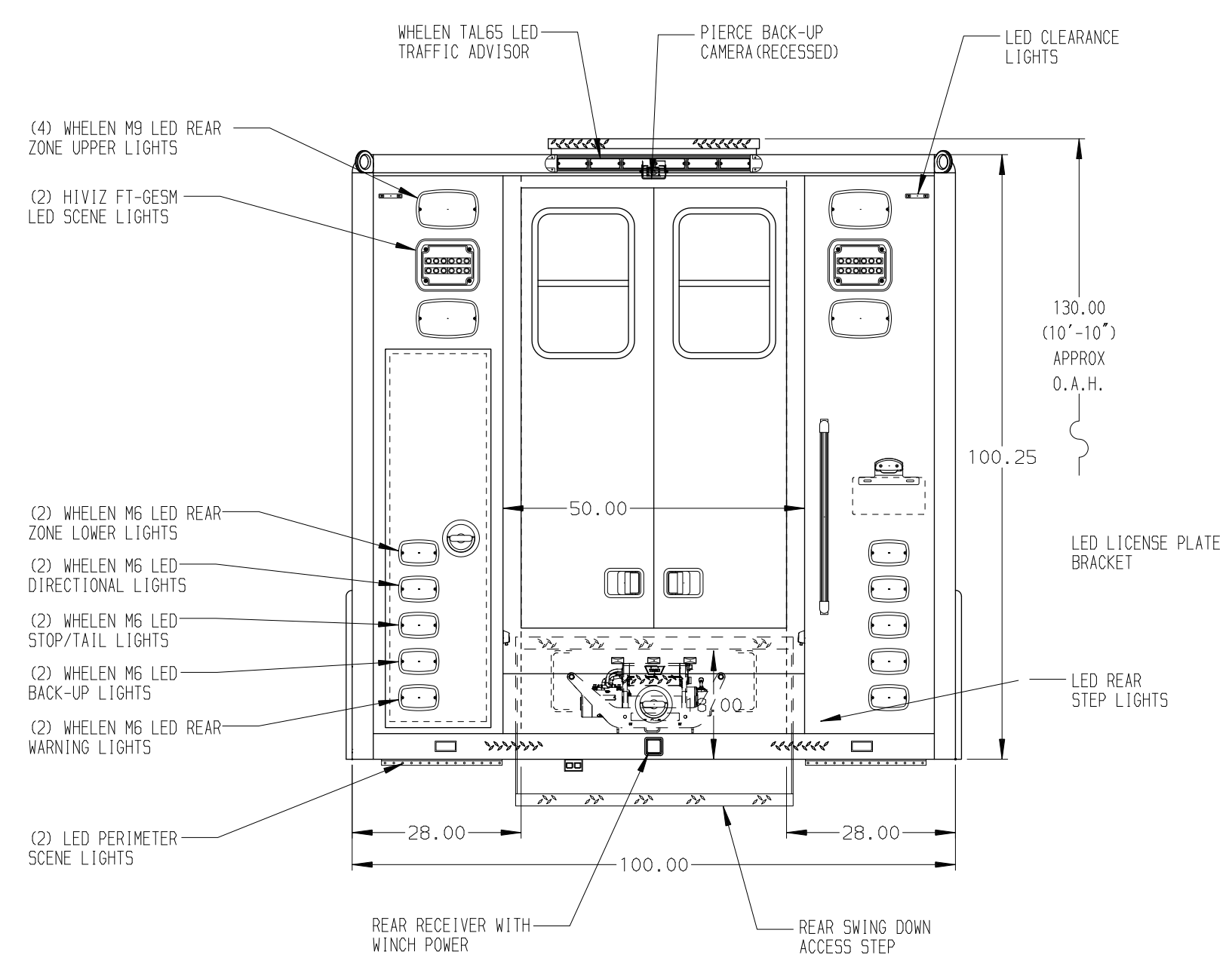
RIGHT SIDE COMPARTMENTS CONTAIN THE FOLLOWING:

- COMPARTMENT RS1 CONTAINS:**
 - (1) 5-DRAWER C-TECH CABINET
 - (4) STD DEPTH ADJ SHELVES
 - (1) VERTICAL COMPARTMENT DIVIDER
 - (1) LOW PRESSURE AIR REEL W/200' OF HOSE
- COMPARTMENT RS2 CONTAINS:**
 - (2) STD DEPTH ADJ SLIDE OUT/TILT TRAYS
- COMPARTMENT RS3 CONTAINS:**
- COMPARTMENT RS4 CONTAINS:**
 - (4) STD DEPTH ADJ SHELVES
 - (1) VERTICAL PEGBOARD COMPARTMENT DIVIDER
 - (2) 15/20A, 120V DUPLEX RECEPTACLE
 - (2) STD DEPTH ADJ SLIDE OUT TOOLBOARDS WITH DUAL SLIDES
- COMPARTMENT RS5 CONTAINS:**
 - (1) CAB LIFT CONTROLLER
 - (1) 1/2 DEPTH ADJ SLIDE OUT TRAY
 - (1) STD DEPTH FLOOR MOUNTED TRAY
 - MOUNTING FOR TWO CUSTOMER INSTALLED HYDRAULIC REELS
- COMPARTMENT RS6 CONTAINS:**
 - (2) ADJ SHELVES WITH NO END LIPS
 - (1) RACK FOR THREE BACKBOARDS



LEFT SIDE COMPARTMENTS CONTAIN THE FOLLOWING:

- COMPARTMENT LS1 CONTAINS:**
 - (2) STD DEPTH ADJ SLIDE OUT TOOLBOARDS
 - (3) STD DEPTH ADJ SHELVES
 - (1) VERTICAL PEGBOARD COMPARTMENT DIVIDER
- COMPARTMENT LS2 CONTAINS:**
 - (2) STD DEPTH ADJ SLIDE OUT/TILT TRAYS
- COMPARTMENT LS3 CONTAINS:**
 - (1) CIRCUIT BREAKER PANEL
 - (1) SUB FEED BOX
 - (1) GENERATOR METER PANEL
 - (2) 15/20A, 120V DUPLEX RECEPTACLES
 - (1) ELECTRIC CORD REEL WITH 200' OF 10/3 BLACK CABLE
- COMPARTMENT LS4 CONTAINS:**
 - (2) 15/20A, 120V DUPLEX RECEPTACLES
 - (1) 1/2 DEPTH ADJ SLIDE OUT/TILT TRAY
- COMPARTMENT LS5 CONTAINS:**
 - (2) GUSSETED ADJ SHELVES FOR POWER UNITS
 - (1) 1/2 DEPTH ADJ SLIDE OUT TRAY
 - (2) MOUNTS FOR CUSTOMER INSTALLED HYDRAULIC REELS
- COMPARTMENT LS6 CONTAINS:**
 - (2) ADJ SHELVES WITH NO END LIPS
 - (1) RACK FOR THREE BACKBOARDS



NOTE
 DIMENSIONS SHOWN ARE APPROXIMATE AND ARE SUBJECT TO MINOR DEVIATIONS AS MAY OCCUR OR BE NECESSARY IN CONSTRUCTION. MINOR DETAILS NOT SHOWN.

- NOTES:**
- ONAN 25kW SINGLE PHASE PTO DRIVEN GENERATOR WITH SPLASH GUARD LOCATED BETWEEN THE FRAME RAILS
 - ONSPOT AUTOMATIC TIRE CHAINS
 - WARN #9,000 PORTABLE WINCH
 - POLISHED 5/8" SCUFFPLATES ON CAB DOOR JAMBS
 - FLOOR IN CAB TO BE PADDED RUBBER
 - FIRECOM 5100D INTERCOM SYSTEM
 - KUSSMIL PUMP PLUS 1200 BATTERY CHARGER LOCATED BEHIND PASSENGER'S SEAT WITH COVER
 - PIERCE DUAL LED STRIP LIGHTS IN ALL BODY COMPARTMENTS
 - (2) 30A, 240V RECEPTACLES MOUNTED (1) NEAR EACH HYDRAULIC POWER UNIT

SIDE ROLL AND FRONTAL IMPACT PROTECTION

CLEAR DOOR WIDTH KEY		CHASSIS DATA	TITLE
AMOR ROLL UP DOORS:	-2 1/4"	20APR20 DHE AZU	HEAVY DUTY RESCUE WALKIN
CORTITE ROLL UP DOORS:	-2 1/2"	16MAR20 DHE AZU	GLEN BURNIE VOLUNTEER FIRE COMPANY
PIERCE DOUBLE LIP DOORS:	-4 1/4"	18DEC19 DHE AZU	GLEN BURNIE, MD
PIERCE LIFT-UP LAP DOORS:	-1 1/2"		
(EX: 60" F-F - 2 1/4" = 57 3/4" CLEAR)			
(F-F) = FRAME TO FRAME			

		JOB NO.	34332
		SCALE	DATE
MANUFACTURING INC.		DRAWN BY	DHE 05DEC19
RANDY SCHWARTZ		CHECKED BY	CDK 09DEC19
AX4600		SHEET SIZE	SHEET NO.
DWG NO. 34332AD-SH1		D 1 OF 1	