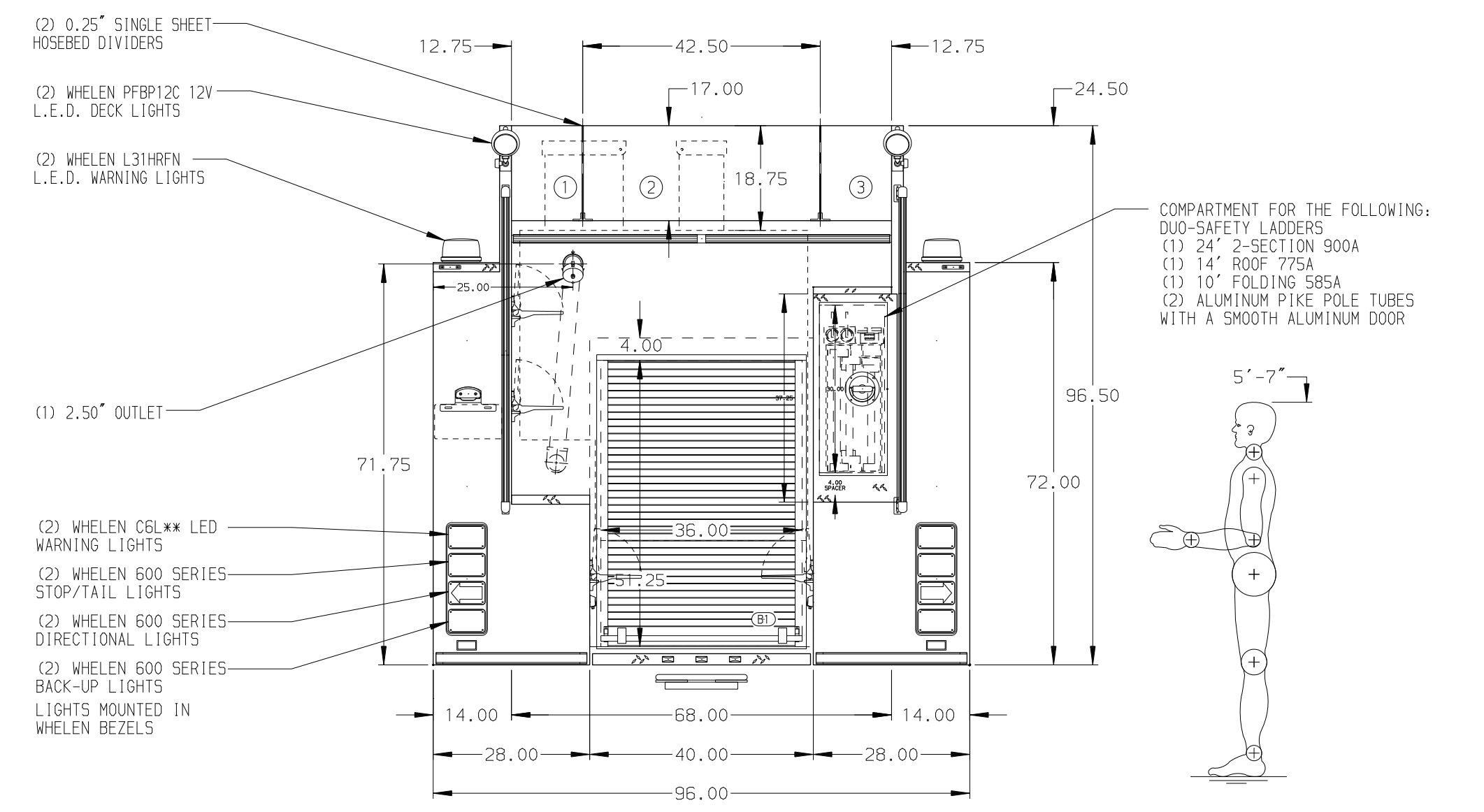
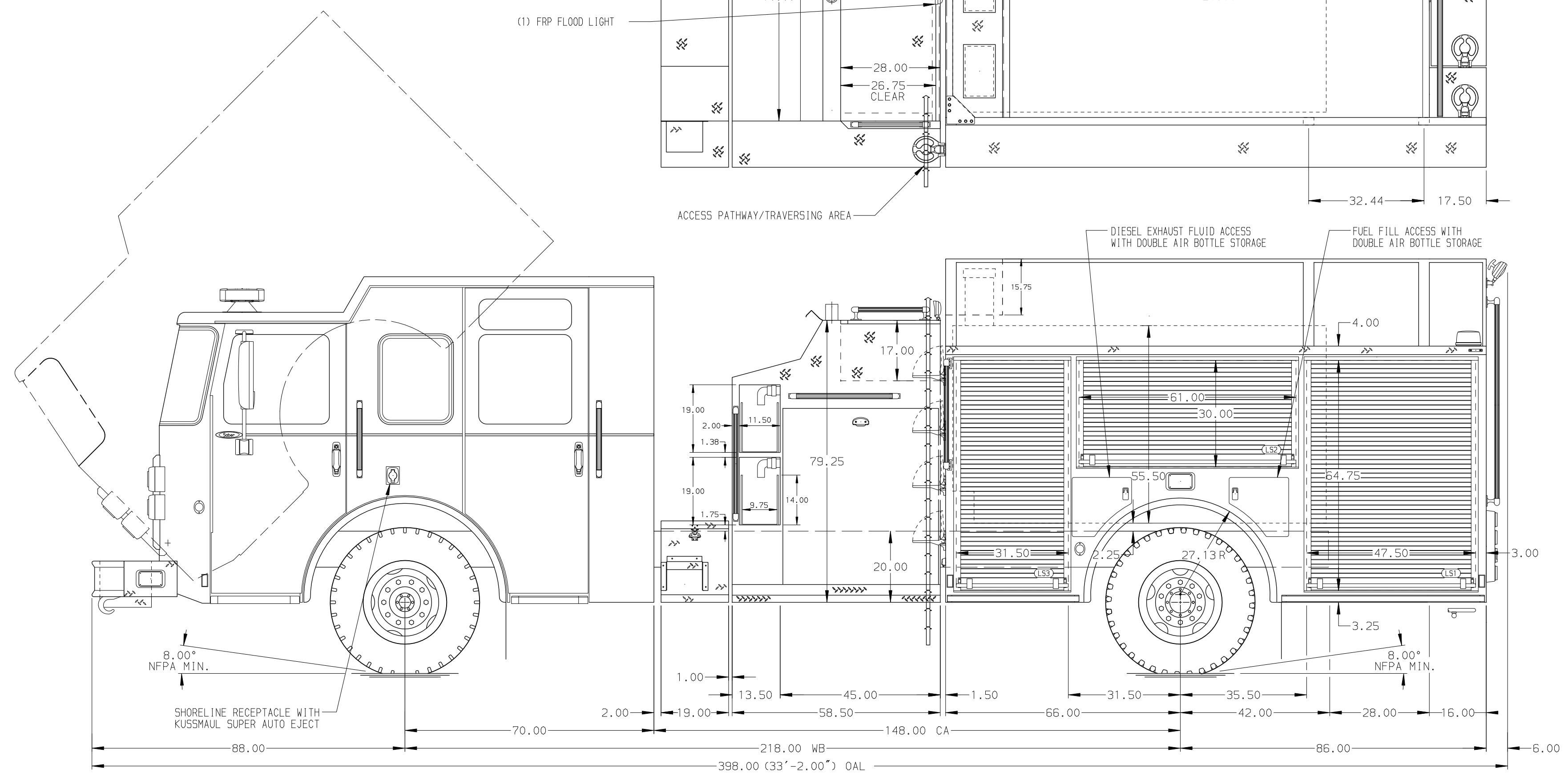


- HOSEBED CAPACITIES**
- ① 500' OF 2.50" D.J. HOSE
  - ② 1000' OF 5.00" D.J. HOSE
  - ③ 500' OF 2.50" D.J. HOSE



**ALUMINUM BODY**

**NOTE**  
DIMENSIONS SHOWN ARE APPROXIMATE AND ARE SUBJECT TO MINOR DEVIATIONS AS MAY OCCUR OR BE NECESSARY IN CONSTRUCTION. MINOR DETAILS NOT SHOWN.

		JOB NO.	34267				
		SCALE	1:24				
CHASSIS DATA	TITLE	1500-D-1030P, 1000 GAL WATER W/ 30 GAL FOAM SYSTEM	DRAWN BY	JLA	DATE	29AUG19	
	MAKE	PIERCE	FOR	PIERCE FIELD UNIT BRADENTON, FLORIDA	CHECKED BY	CAG	30AUG19
MODEL	DWG NO.	34267AD		SHEET SIZE	D		
REV	DATE	BY	CH	SABER FR	SHEET NO.	1 OF 1	