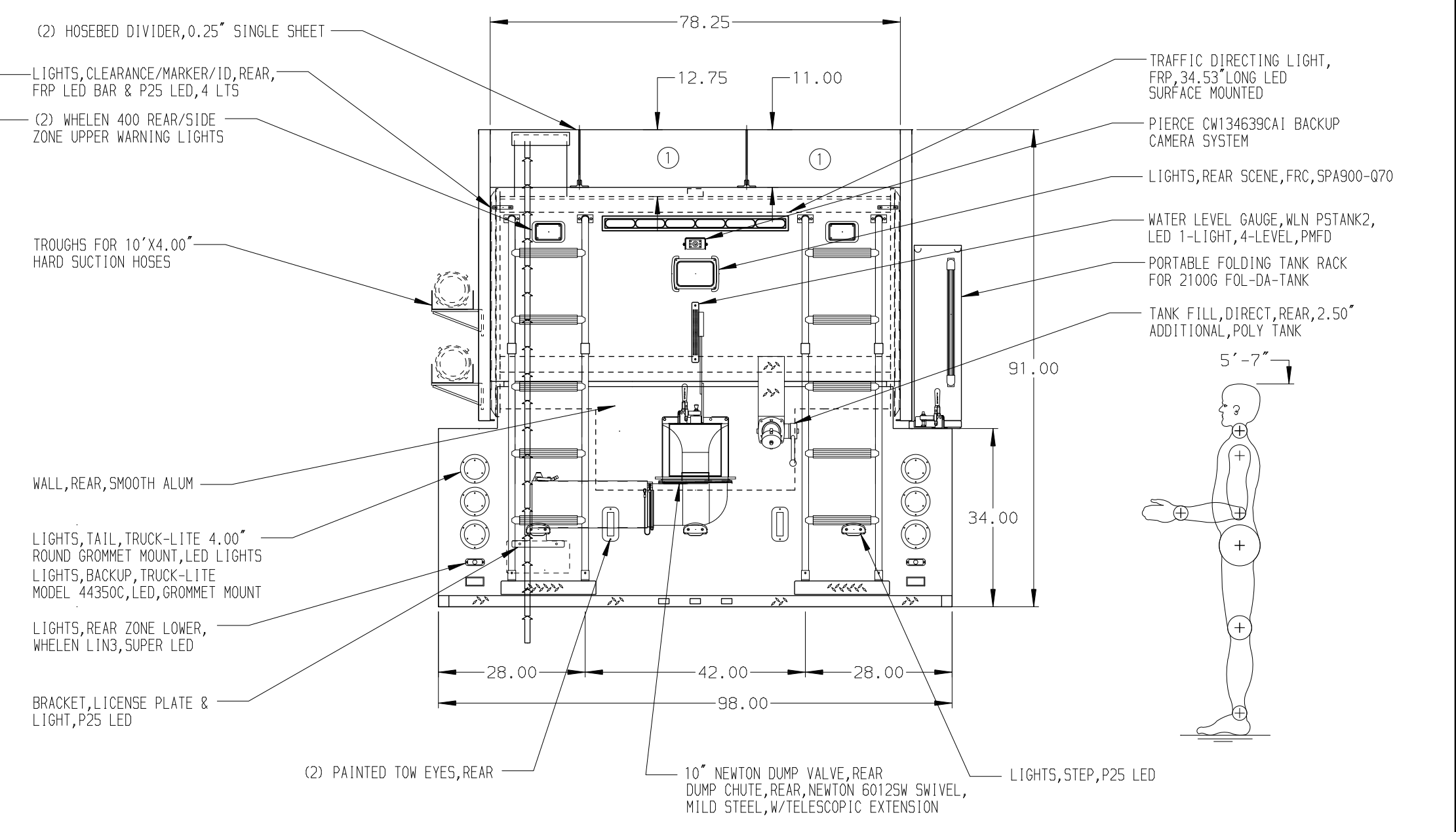
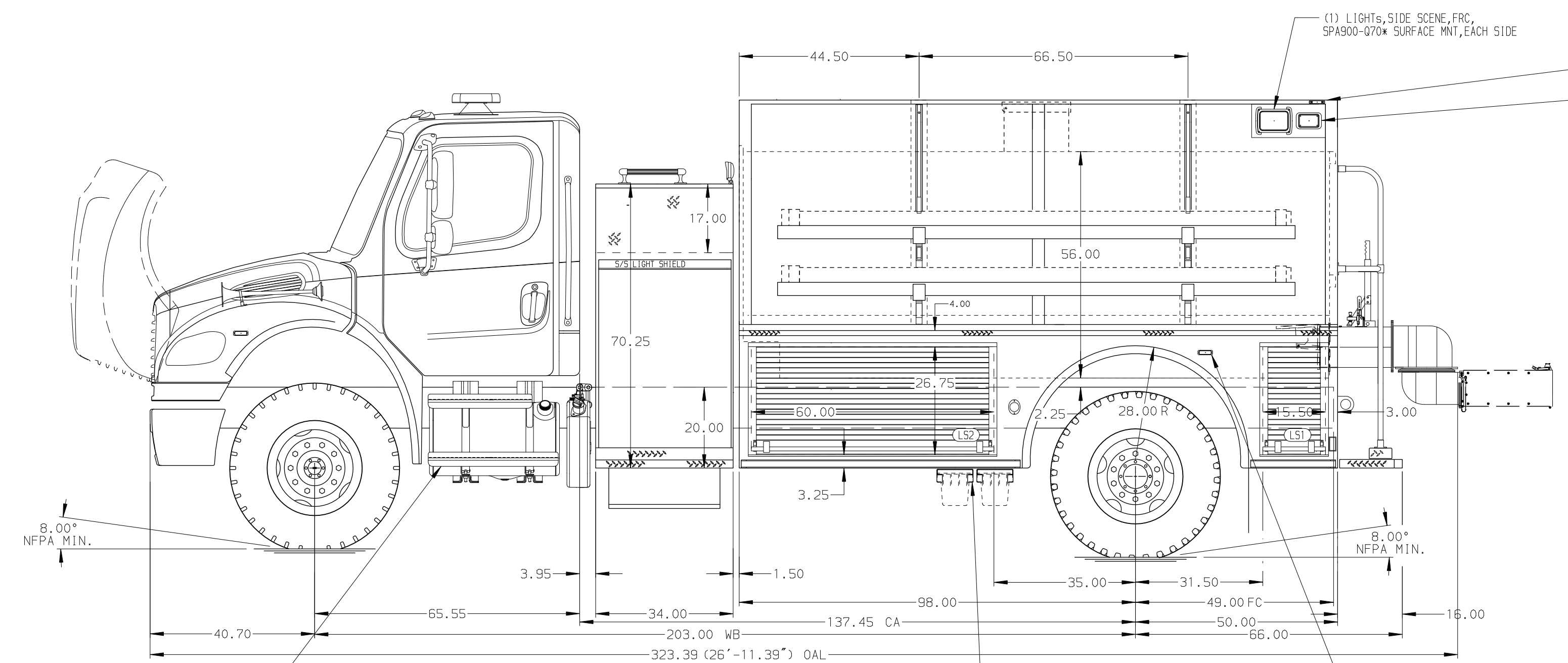


HOSEBED CAPACITIES
 (1) 200' OF 2.50" D.J. POLYESTER HOSE



ALUMINUM BODY

NOTE
 DIMENSIONS SHOWN ARE APPROXIMATE AND ARE SUBJECT TO MINOR DEVIATIONS AS MAY OCCUR OR BE NECESSARY IN CONSTRUCTION. MINOR DETAILS NOT SHOWN.

STEPS, CAB, AS SUPPLIED BY FREIGHTLINER (STAINLESS STEEL)
 FUEL TANK, 50 GALLON, LEFT SIDE, ALUM DEF TANK, LEFT SIDE

Pierce MANUFACTURING INC.
 BRADENTON, FLORIDA

JOB NO. 34242
 SCALE 1:24 DATE

25MAR20	CRH	RW1	MAKE	TITLE	500-D-2000 POLY 148" DRYSIDE BODY, RS TANK RACK, 34" SIDE CONTROL, 10" NEWTON DUMP W/TELESCOPING SWIVEL	DRAWN BY	CRH	21NOV19
06MAR20	CRH	DDR	FL	FOR	SPARTA AREA FIRE DISTRICT	CHECKED BY	RW1	26NOV19
06DEC19	CRH	RW1	MODEL	DWG NO.	34242AD	SHEET SIZE	D	SHEET NO. 1 OF 1
REV	DATE	BY	CH	M2-106				